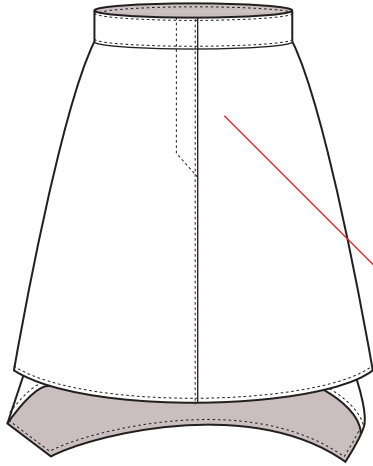


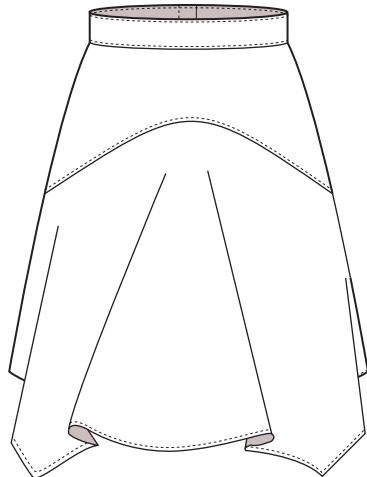
WHAT GOES AROUND COMES AROUND



FRONT



BACK



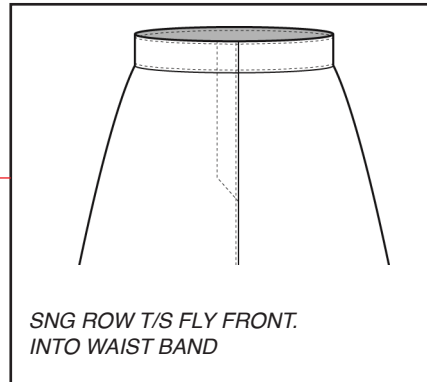
STYLE# 13FW102

SEASON: FALL13

ITEM DESCRIPTION:
BACK VOLUME 'SUIT SKIRT'

SIZES: XS,S,M,L

STATUS: SAMPLING



FABRIC 1 (Ref: No: W_69782_08)

0
0
0
2
9
8

FABRIC 2 (REF: H_09578_90)

3
9
8

Please note: Colours above only act as a guide.
Refer to colour ref. for true style.

TRIMMING	STATUS	DATE				
<p>LINING</p> <table border="1"> <tr> <td>REF: 998/34 TOROWOOD</td> <td>2 9 8</td> </tr> </table>	REF: 998/34 TOROWOOD	2 9 8	IN- TRANSIT	Expected delivery 01/25		
REF: 998/34 TOROWOOD	2 9 8					
<p>Interior Binding</p> <table border="1"> <tr> <td>823</td> <td></td> </tr> <tr> <td>ReF: 890/01 TOROWOOD</td> <td></td> </tr> </table>	823		ReF: 890/01 TOROWOOD		IN TRANSIT	Expected delivery 01/25
823						
ReF: 890/01 TOROWOOD						
<p>FRONT FASTENING</p> <p>120968MT</p>	ORDERED	EXPECTED 02/08				
<p>FRONT INTERIOR FASTENING</p> <p>120969MT</p>	ORDERED	EXPECTED 02/08				