

CLIENT:  
 NAME: WALL TOWNSHIP  
 ADDRESS: 211 WOODCLIFF RD.  
 JACKSON, NJ 08527  
 PHONE: 732.865.2110

PROJECT:  
 BLDG NAME: CHERRY HILL  
 PUBLIC LIBRARY  
 ADDRESS: 211 WOODCLIFF RD.  
 JACKSON, NJ 08527

REVISIONS:  
 DATE: TITLE:

SHEET TITLE:  
**WALL DETAILS  
 2 OF 2**

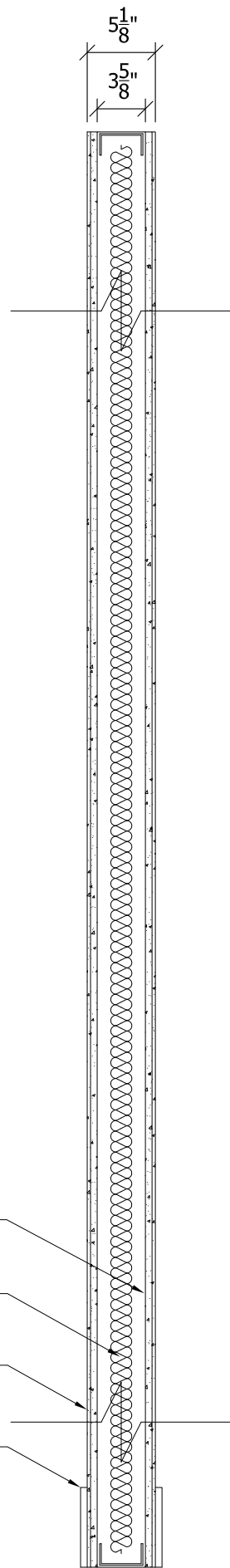
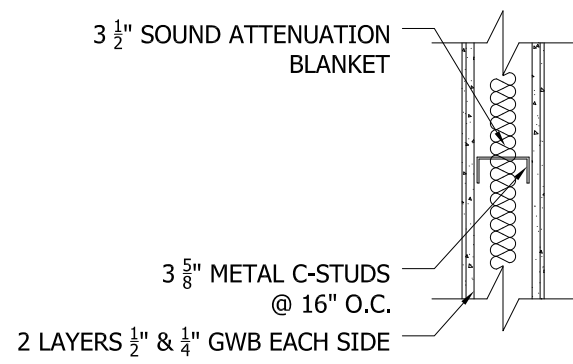
DRAWN BY:  
 MELANIE SPATH

DATE:  
 DECEMBER 7, 2013

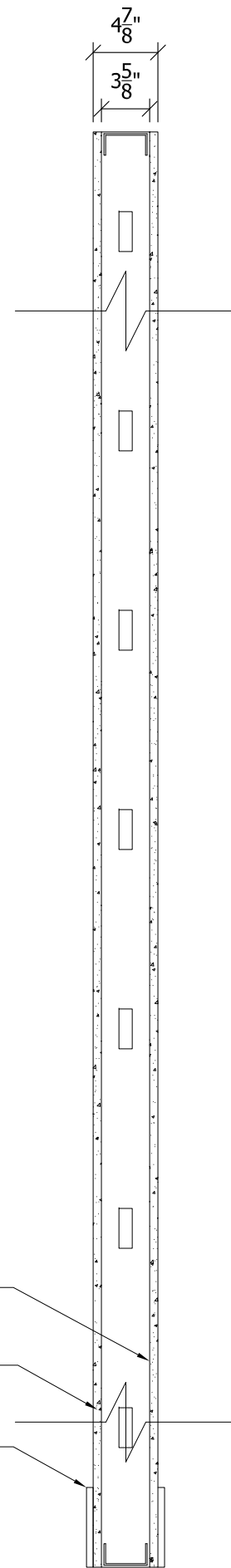
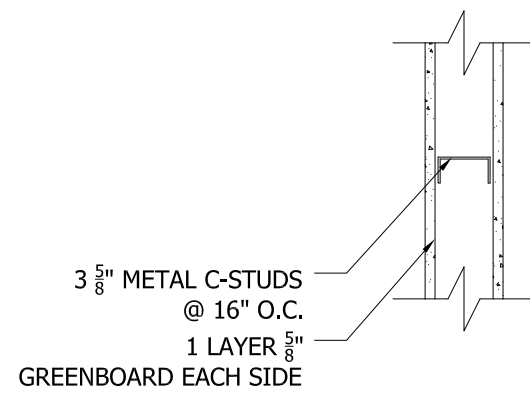
SCALE:  
 1" = 1'-0"

SHEET NO.

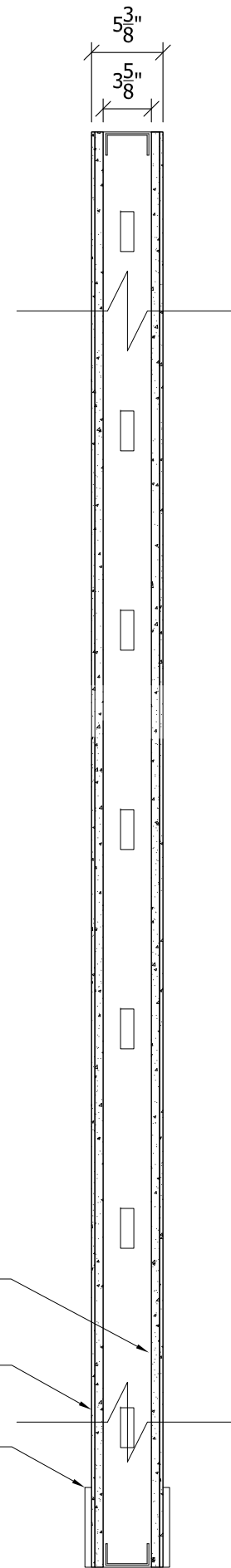
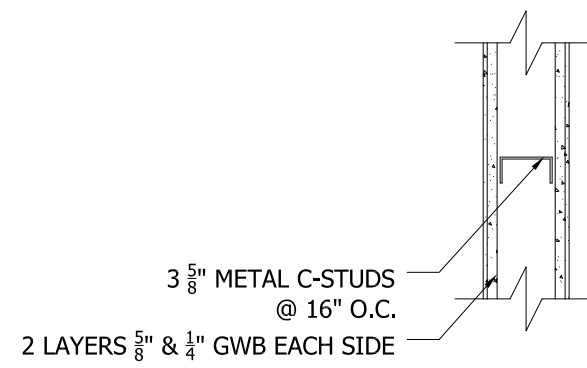
**A111**



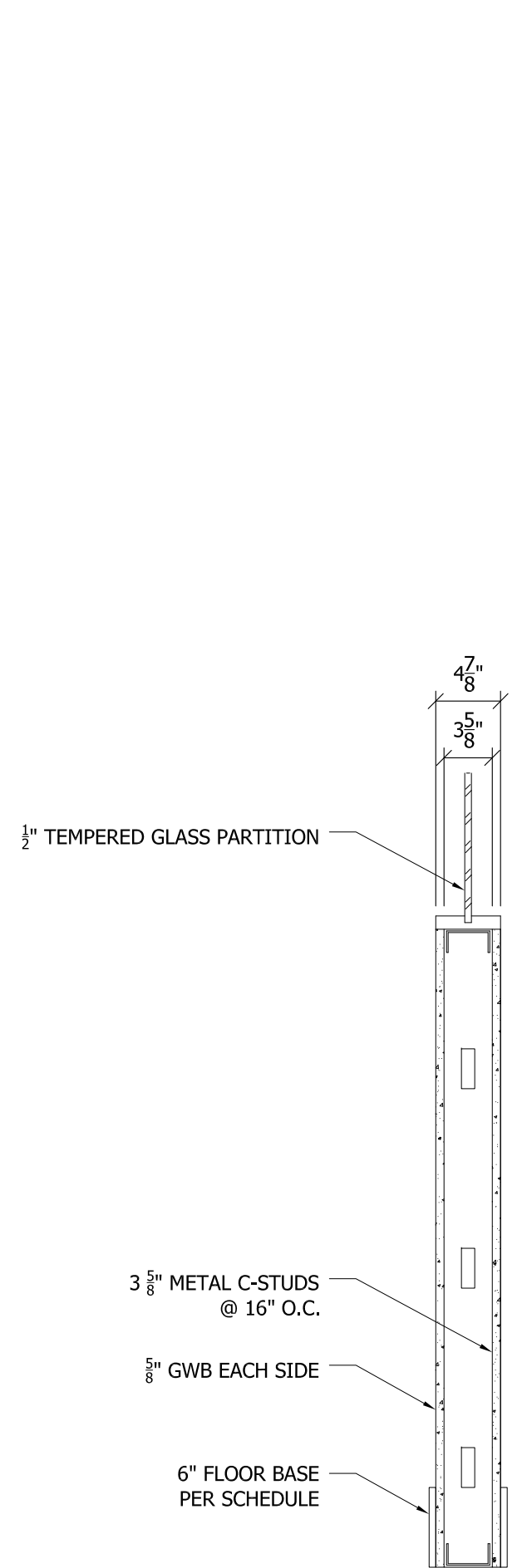
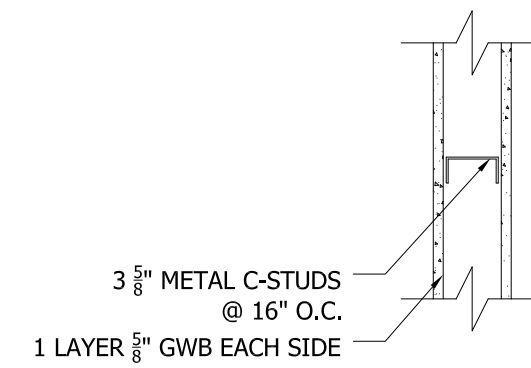
**D**— TYPICAL INTERIOR ACOUSTICALLY TREATED PARTITION



**E**— TYPICAL WET AREA INTERIOR PARTITION



**F**— TYPICAL INTERIOR 1-HR. RATED WALL



**G**— TYPICAL 5' TALL NON-RATED WALL

**1 WALL TYPES**  
 SCALE: 1" = 1'-0"