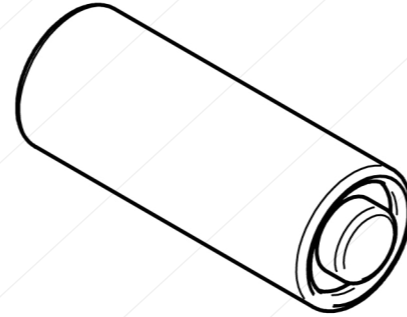
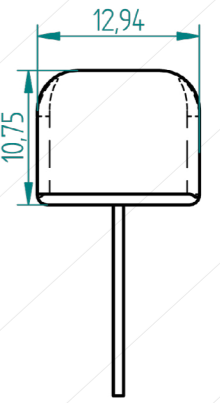
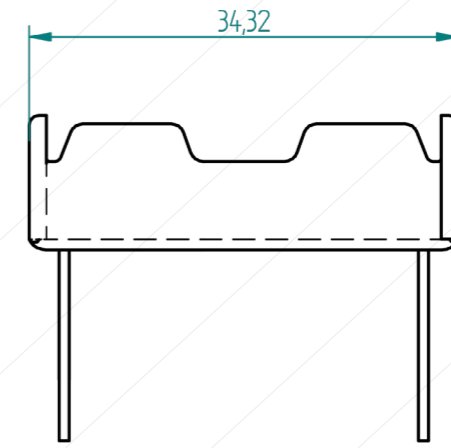
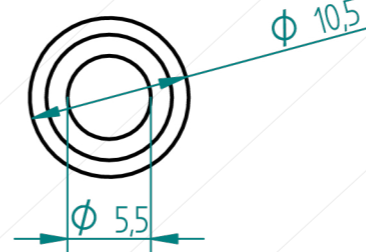
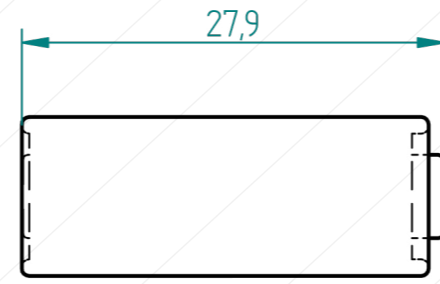


TORCH PROJECT

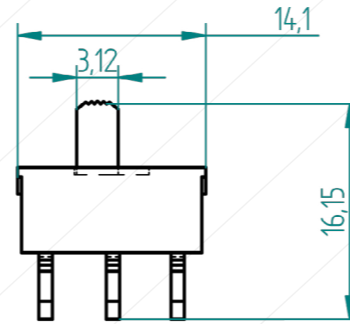
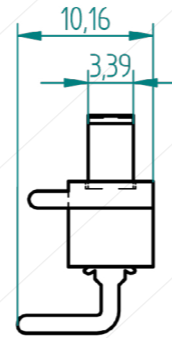
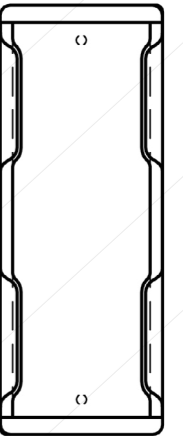
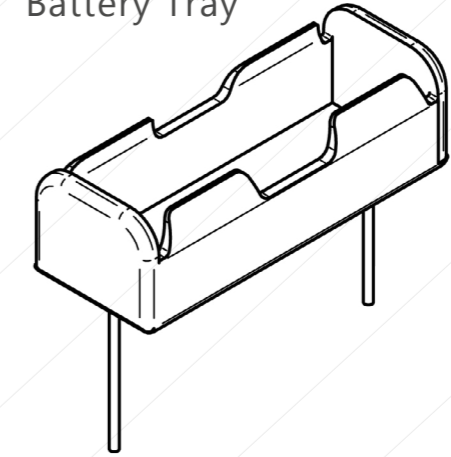
REVERSE ENGINEERED COMPONENTS

- Using the components supplied, the project involved taking accurate measurements of the physical properties to then be produced in 3D CAD software
- This was essential for ensuring that the torch was designed to work with the internal componentry for mass production of the product

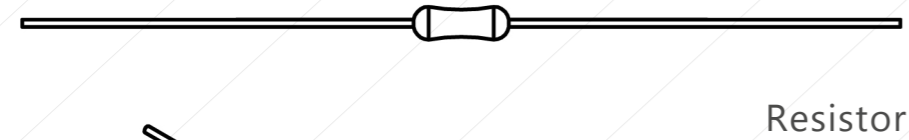
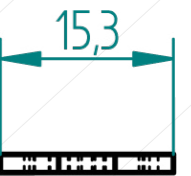
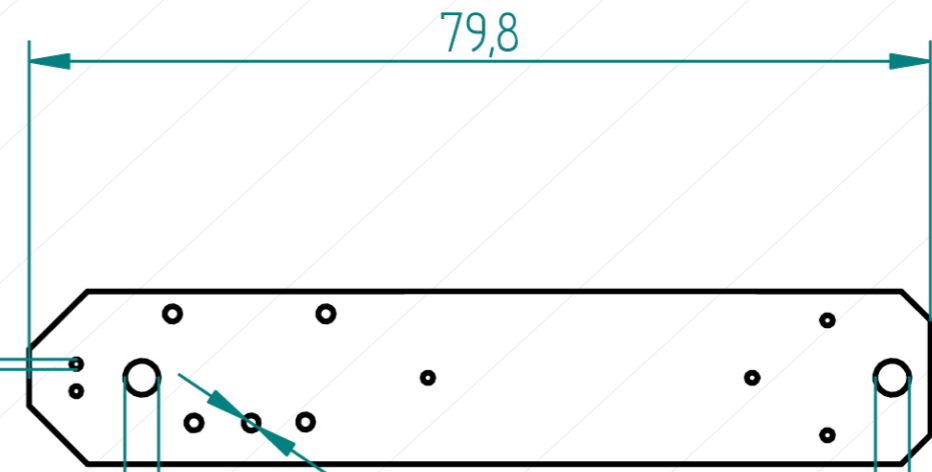
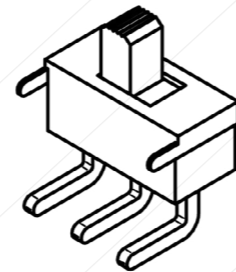


Battery

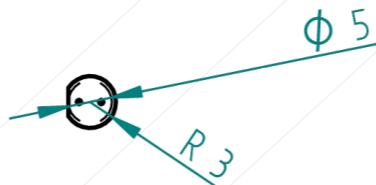
Battery Tray



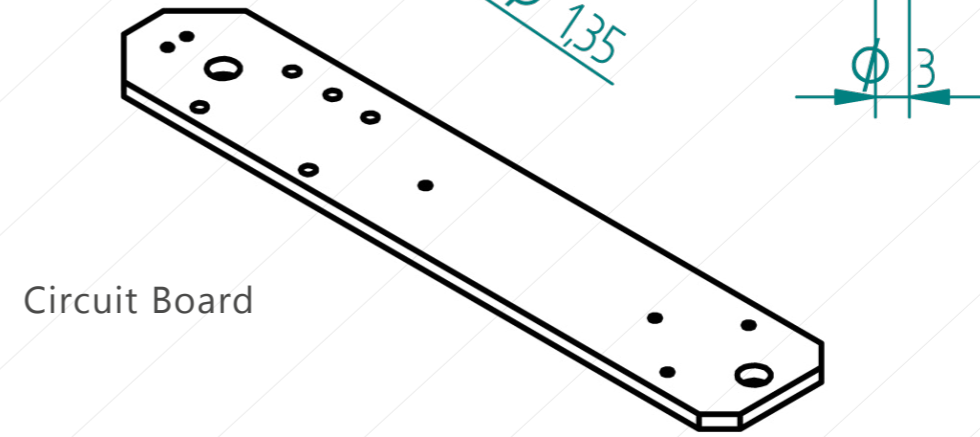
Switch



Resistor



LED



Circuit Board