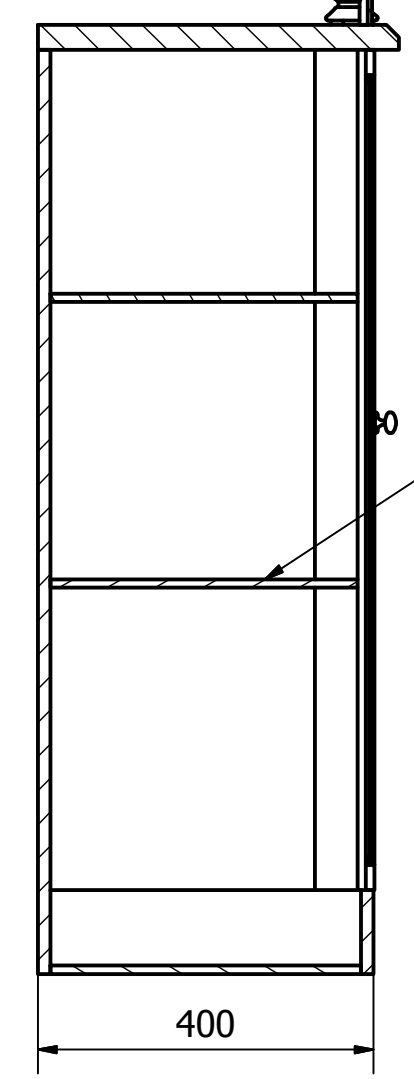
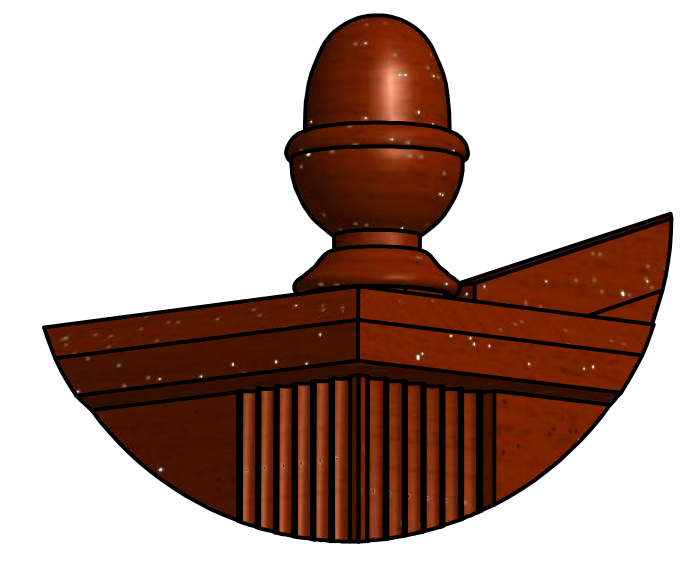


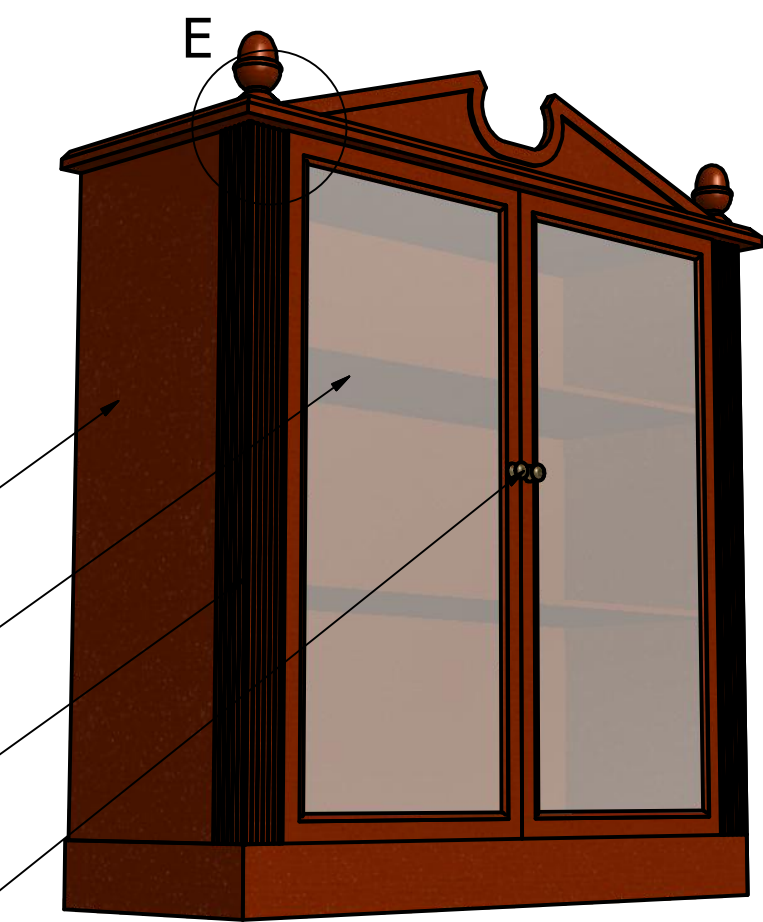
Decorative acorn finial

A-A (1:9)

E (1 : 3)



2 x adjustable shelves



Dark teak finish


Clear perspex

Fluted moulding on front and sides

Brass door knobs (tbc)

x 2



| | | | | |
|---|------------|-------------|--------------------------|---------------------------|
| Designed by RichardJude | Checked by | Approved by | Date | Date 07/01/2014 |
|  | | | 02CD-025 | |
| | | | Large Apothecary Cabinet | Edition Sheet 1 / 1 |