

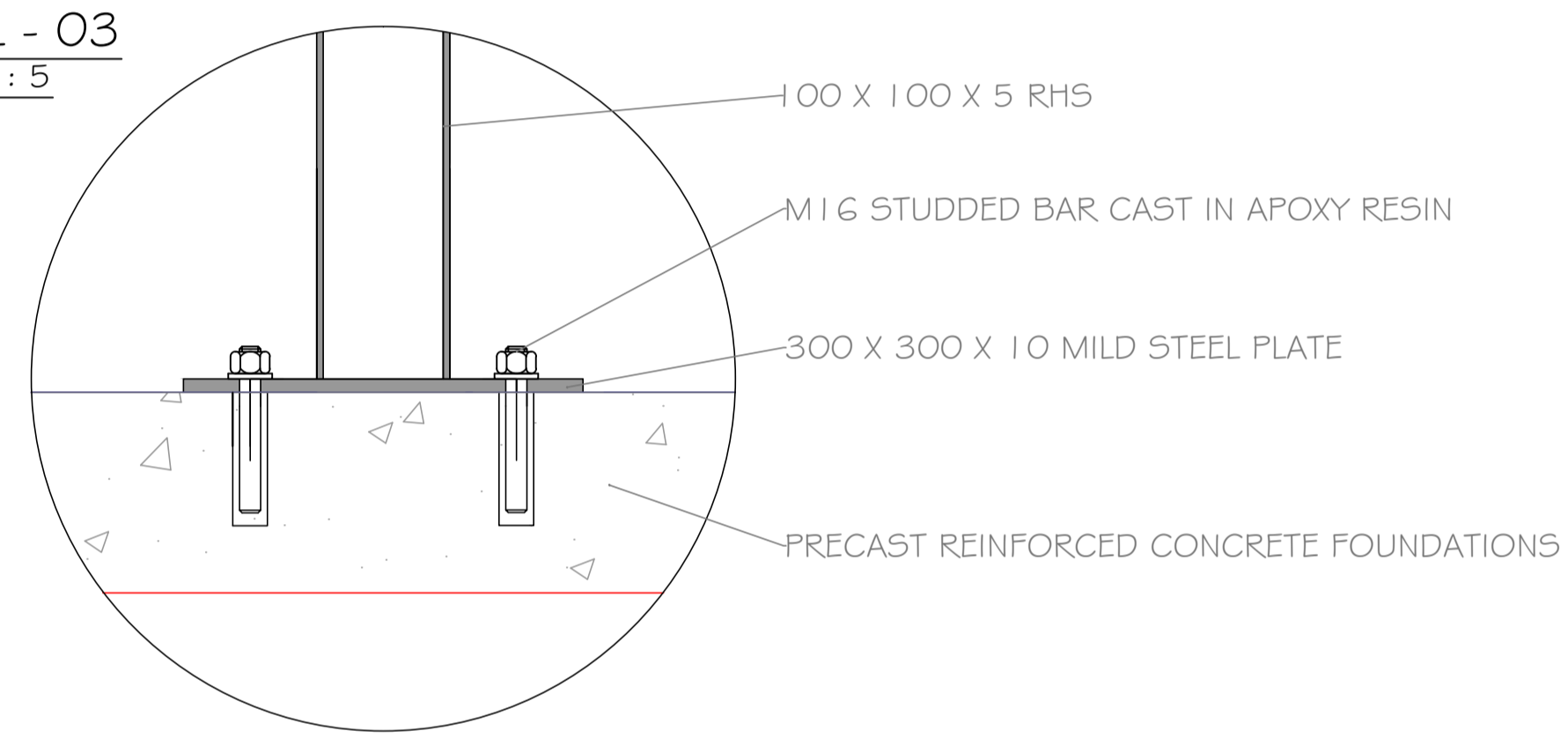
DETAIL - 01  
SCALE 1 : 5



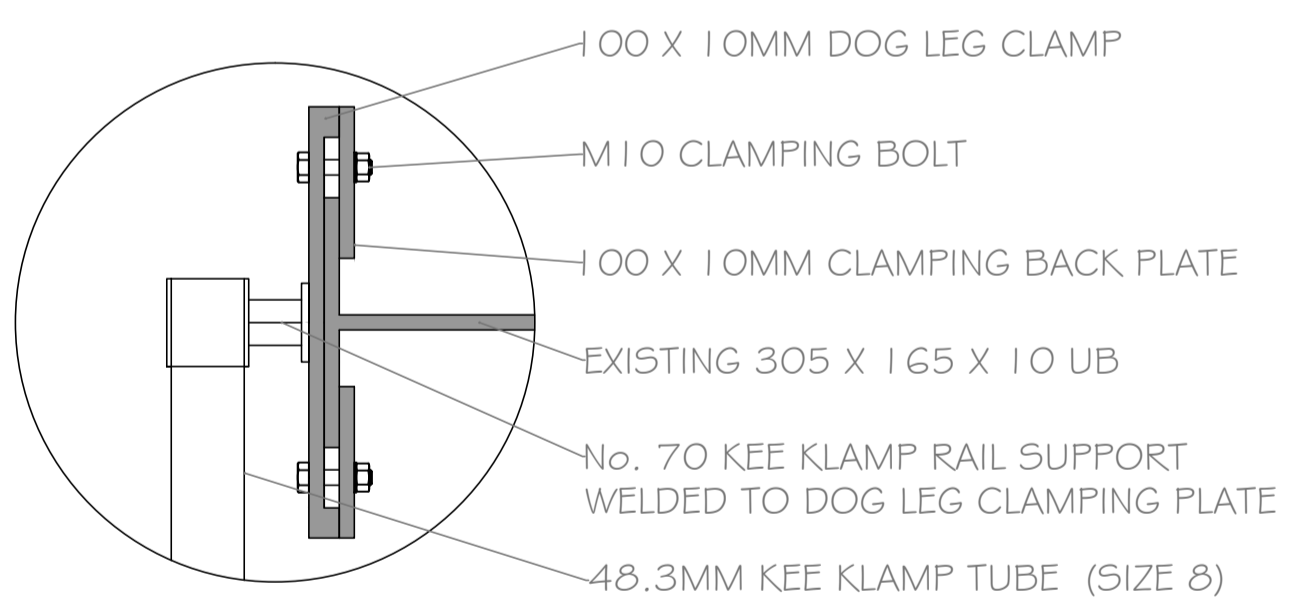
DETAIL - 02  
SCALE 1 : 5



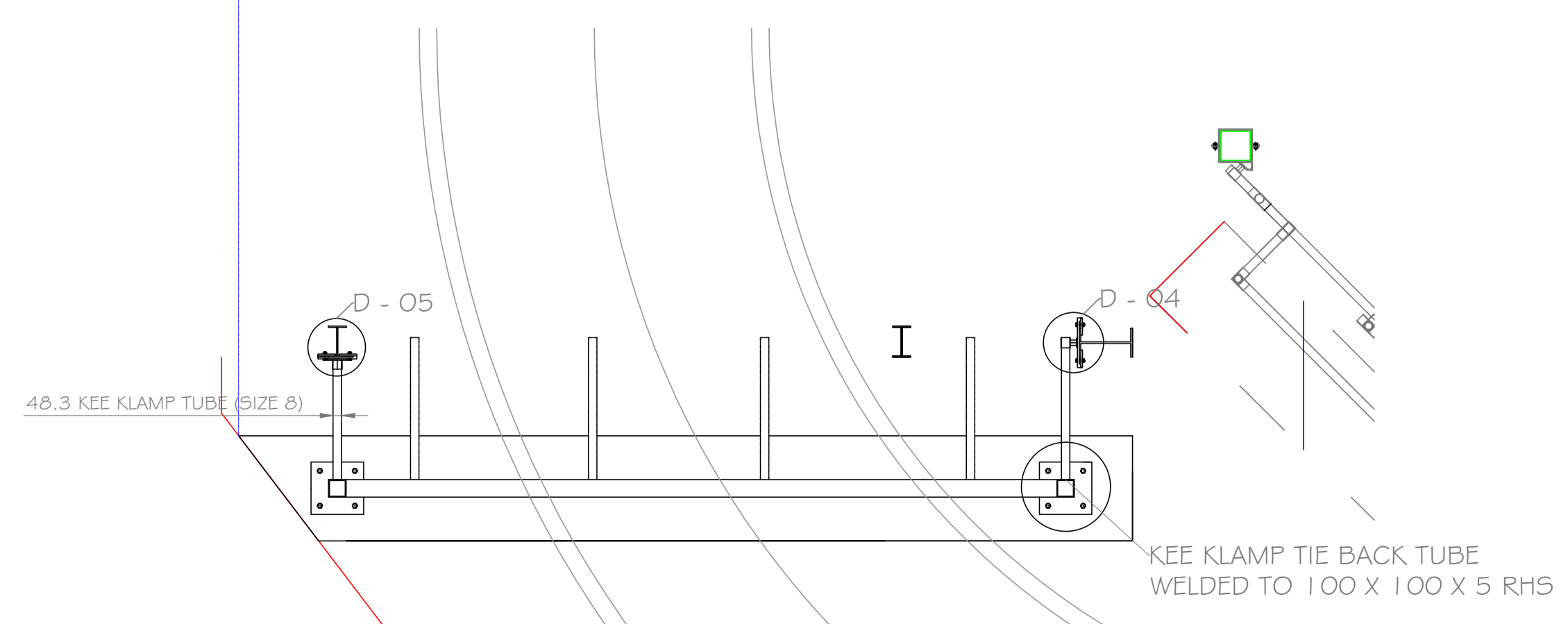
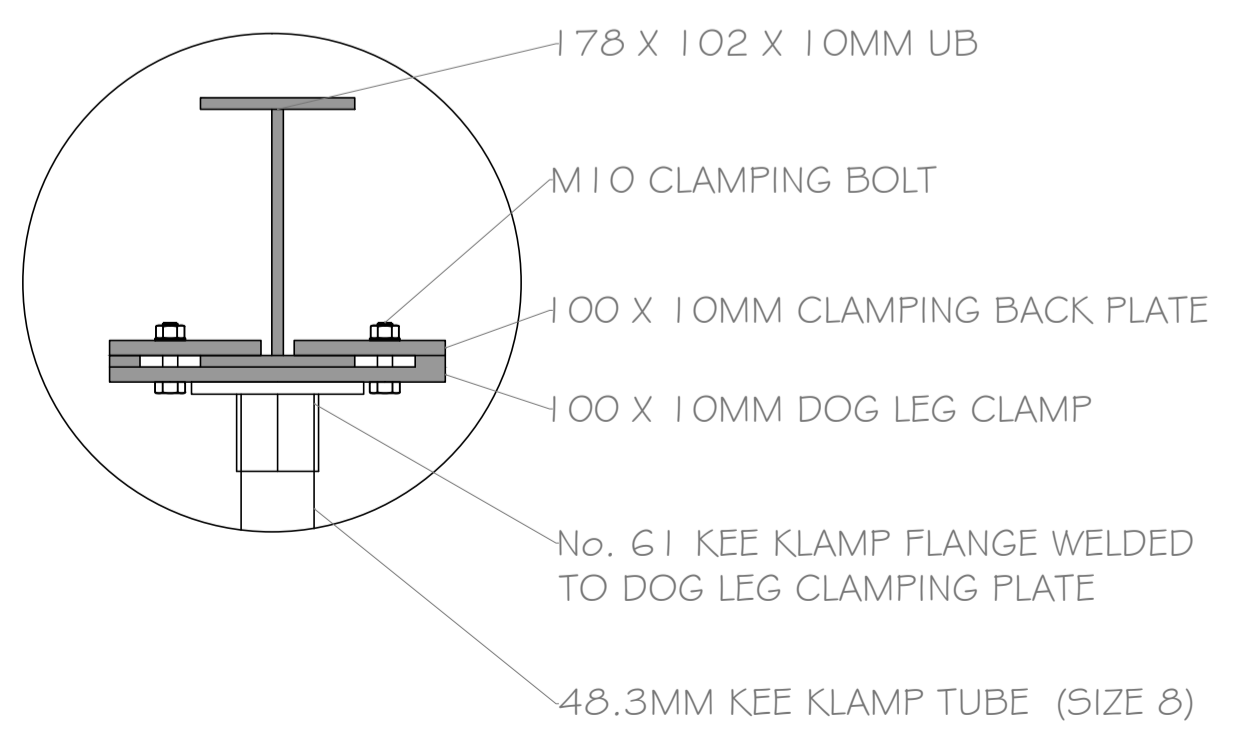
DETAIL - 03  
SCALE 1 : 5



DETAIL - 04  
SCALE 1 : 5



DETAIL - 05  
SCALE 1 : 5



**THEMING TECHNOLOGIES**

Barth Mills, Albert Street, Lockwood, Huddersfield, HD1 3PY England  
 Tel: +44 1484 513188, Fax: +44 1484 420871, Email: info@td2.com

---

PROJECT: OAKWOOD LH SKULL HEAD RETURN

TITLE: LH RETURN STRUCTURAL DETAILS CONSTRUCTION DRAWING

SCALE: 1 : 5, 1 : 30

DATE: 29/04/13

REV: B