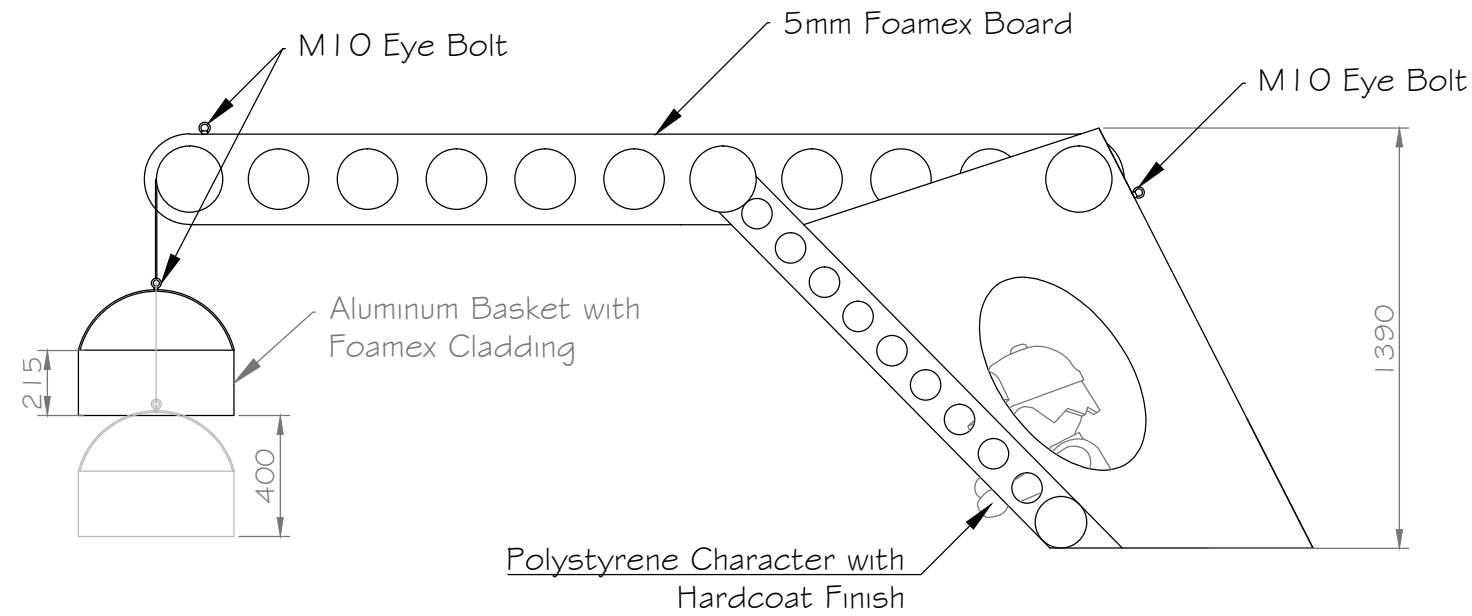
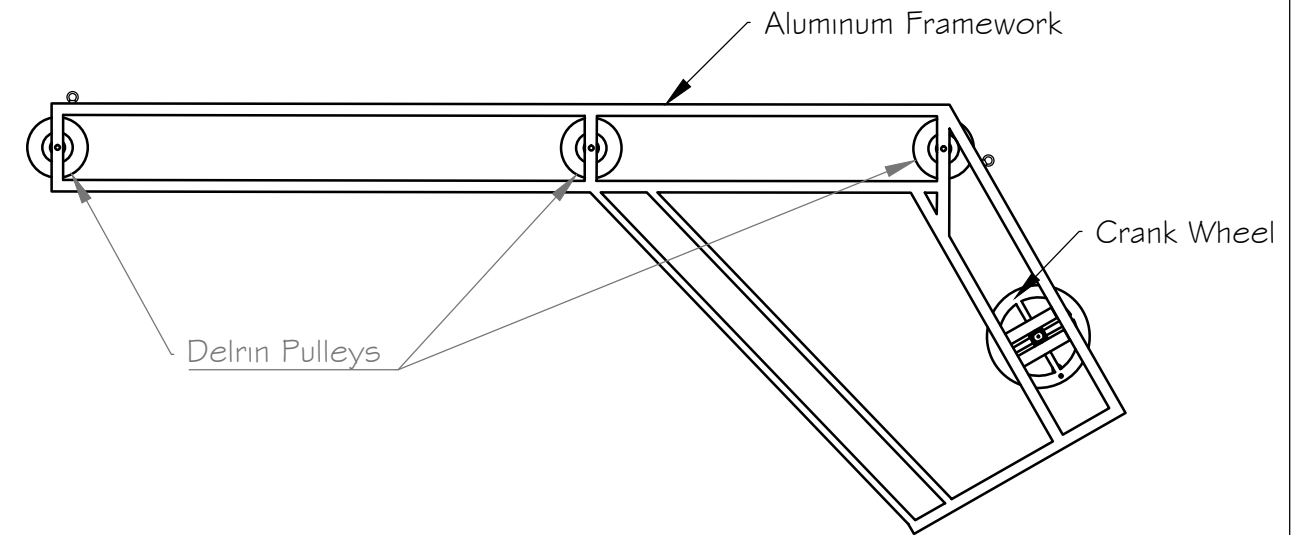


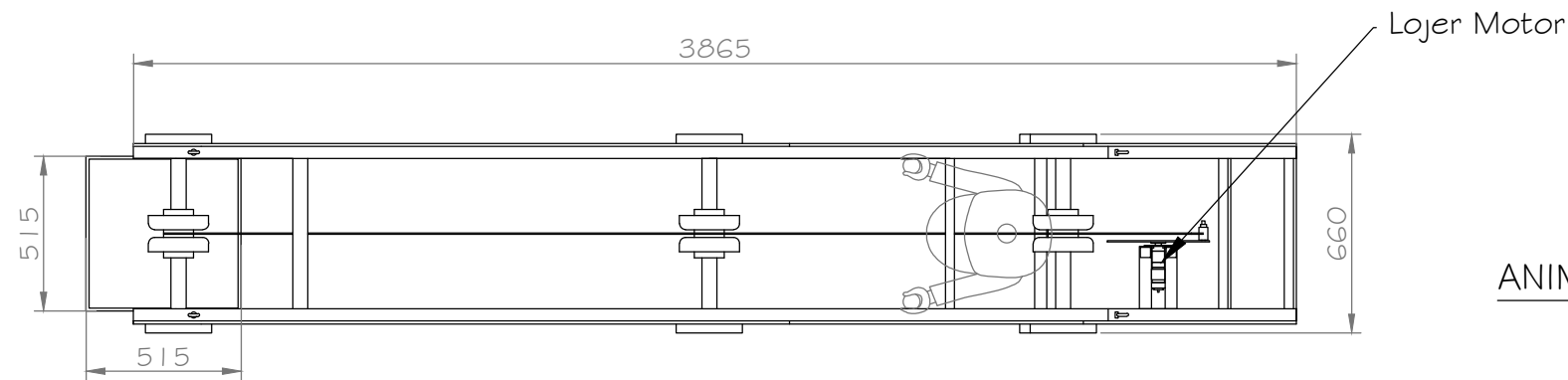
ANIMATED TOY CRANE SIDE ELEVATION  
SCALE 1 : 25



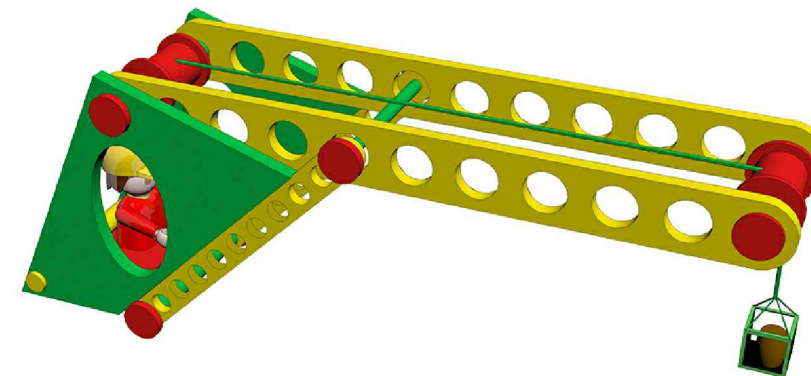
ANIMATED TOY CRANE ALUMINUM FRAMEWORK  
SCALE 1 : 25



ANIMATED TOY CRANE PLAN VIEW  
SCALE 1 : 25



ANIMATED TOY CRANE CONCEPT VISUAL



Bath Mills, Albert Street,  
Lockwood, Huddersfield,  
HD1 3PY England  
web: www.kddecoratives.com

tel: +44 1484-513188  
mob: +44 7711-178460  
fax: +44 1484-420871  
email: jkd@kddecoratives.com

PROJECT  
PAULTONS  
01CD-030

TITLE  
ANIMATED TOY CRANE  
CONSTRUCTION DRAWING

SCALE  
1 : 25

DATE  
19/02/14

REV  
A