

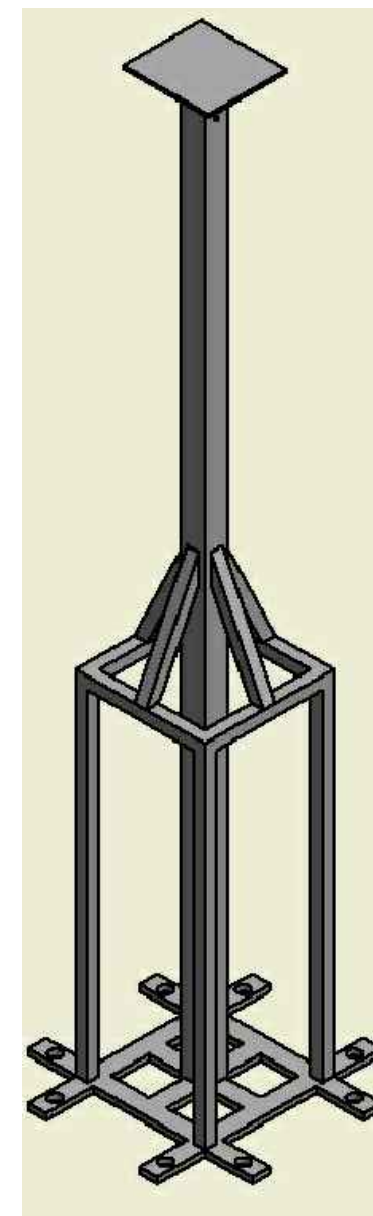
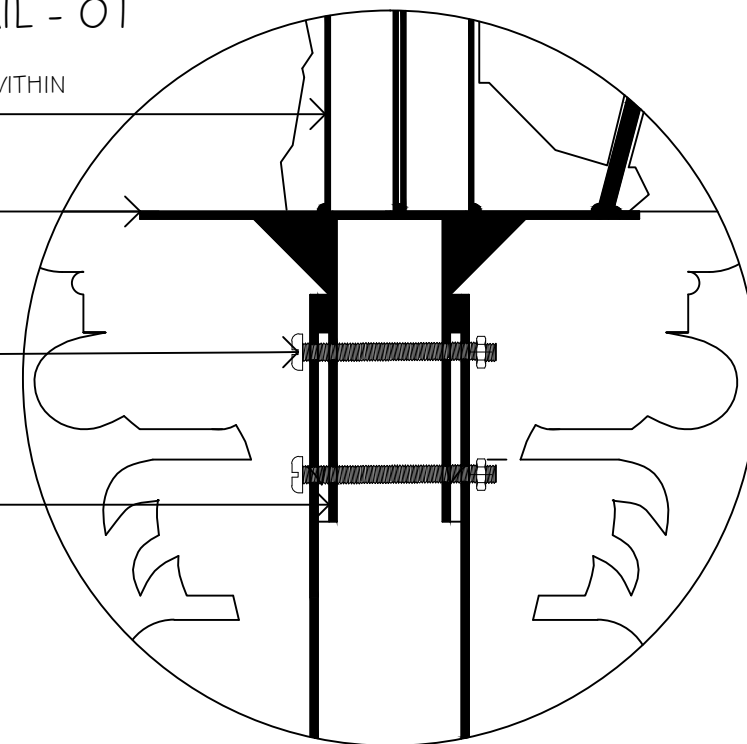
DETAIL - 01

50 X 500 X 3MM BOX SECTION ENBEDED WITHIN THE POLYSTYRENE SCULPTURE

360 X 330 X 6MM MILD STEEL PLATE

M16 x 150mm THROUGH BOLT

80 X 80 X 3MM MILD STEEL BOX SECTION



ISOMETRIC RENDER OF STRUCTURAL STEEL



THEMING TECHNOLOGIES

Bath Mills, Albert Street,
Lockwood, Huddersfield,
HD1 3PY England
web: www.kdt2.com

tel: +44 1484-513188
mob: +44 7711-178460
fax: +44 1484-420871
email: mkd@kdt2.com

PROJECT
OAKWOOD
TAXI RIDE

TITLE
NELSONS COLUMN
POLY AND STEEL WEIGHTS

SCALE
NA

JOB No XXXX	DATE 28/02/2013	REV XXXX
----------------	--------------------	-------------