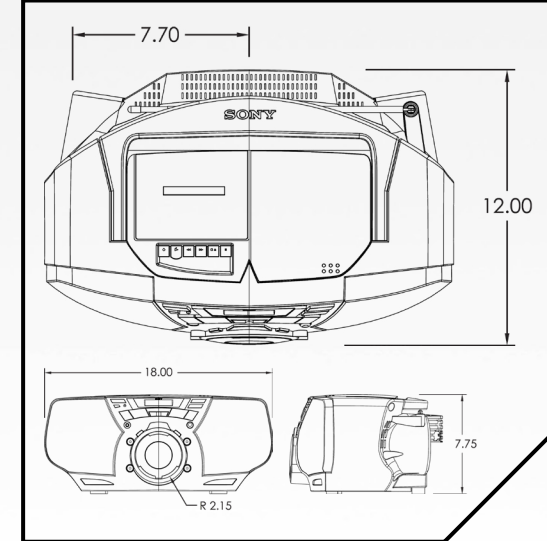




Technical Drawing



objective

Develop newly acquired Solidworks skills by creating a 3 dimensional model of an existing housewares product. Utilize Photoview to create both perspective and orthographic images of the final model. In addition to the images, create engineering drawings with overall dimensions of the model.

Sony Strategy

"make.believe"