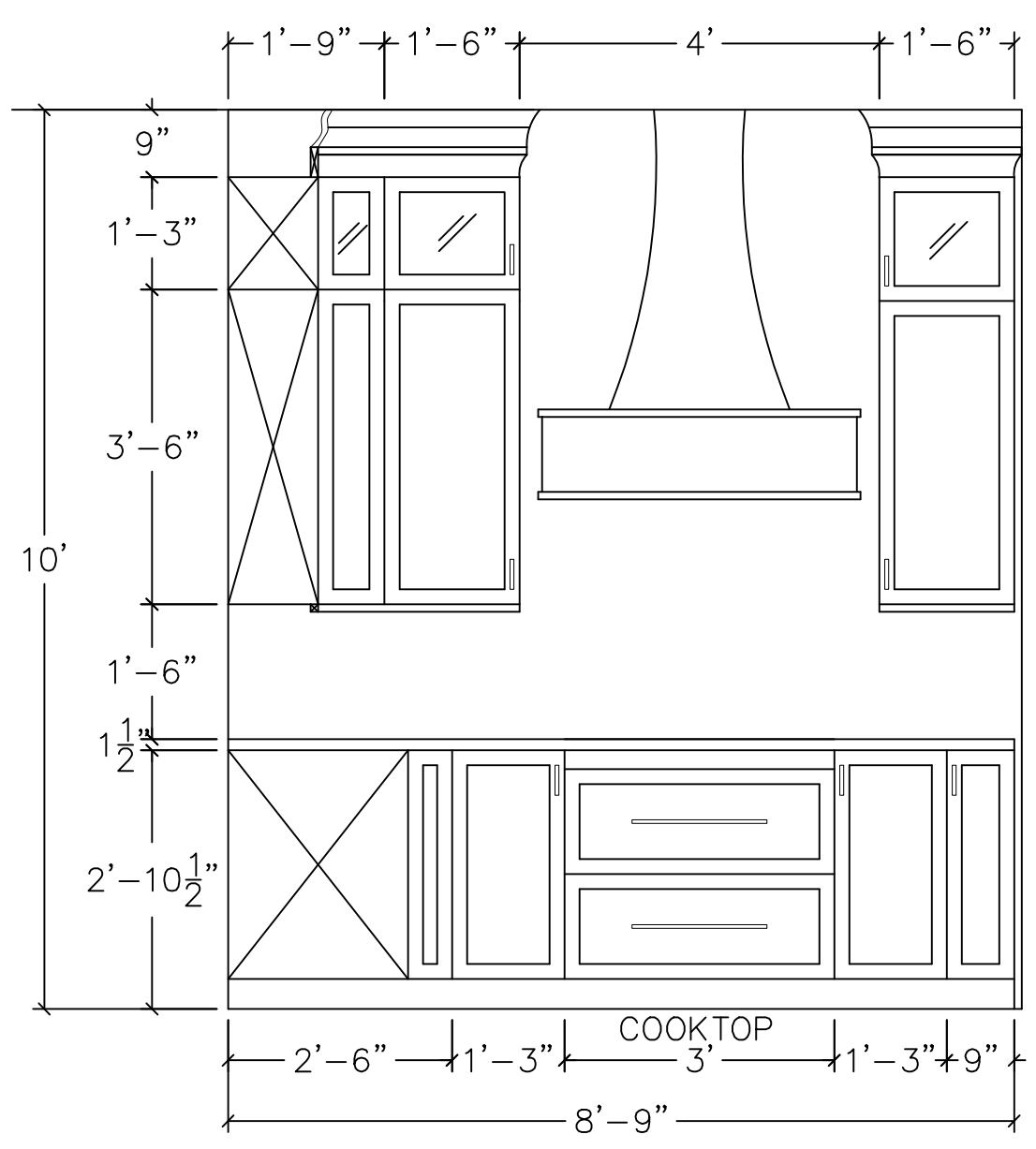
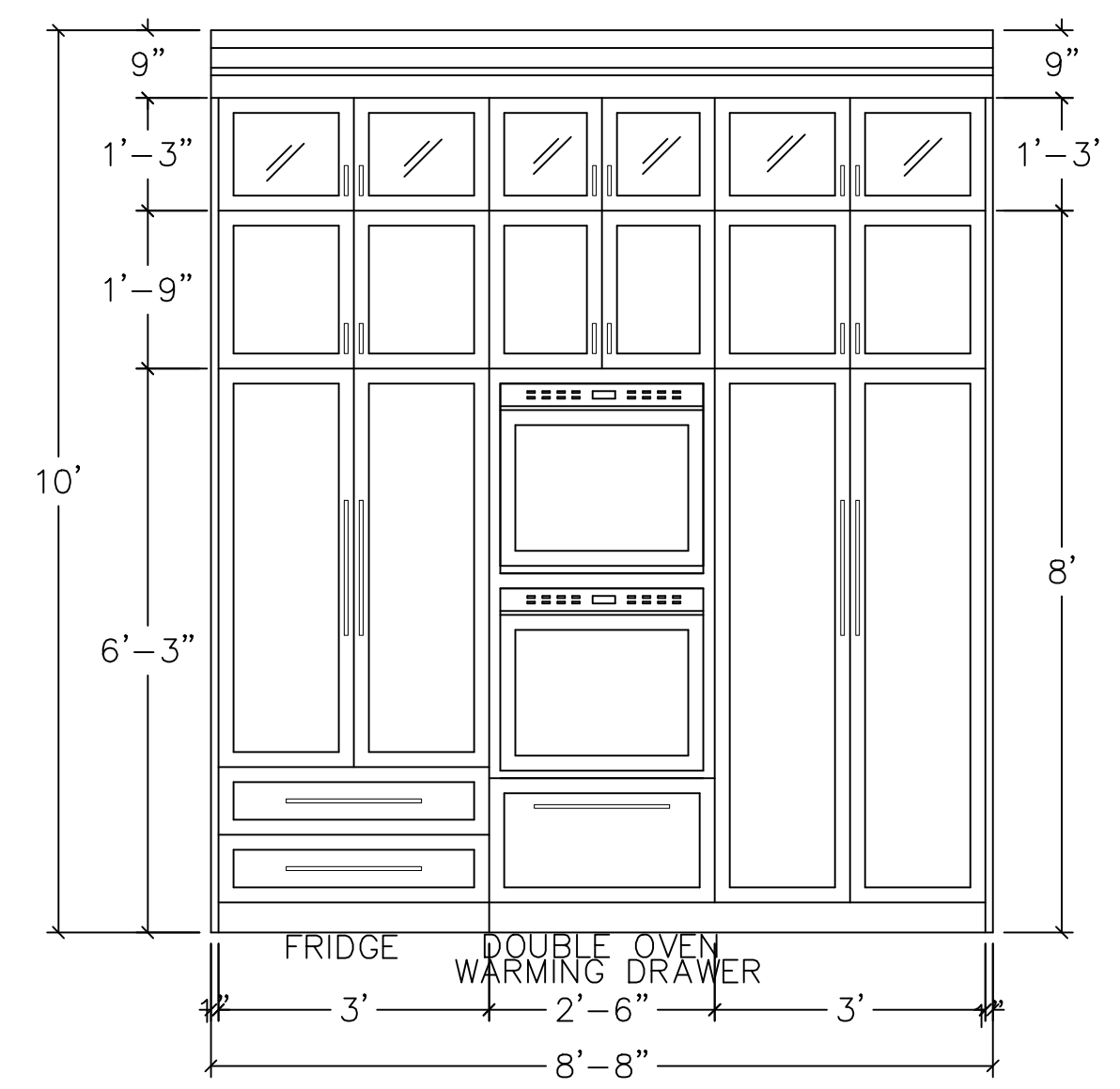


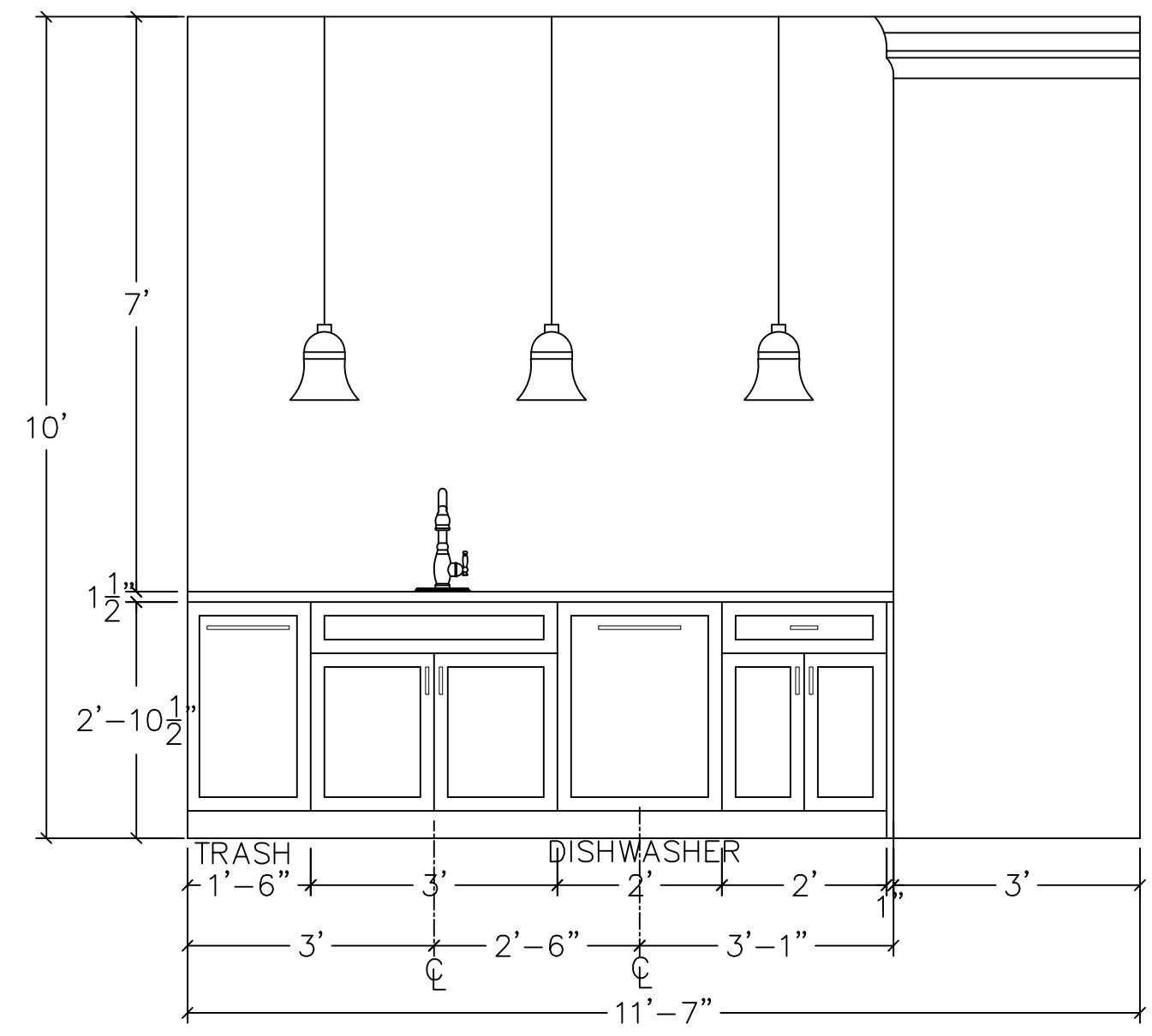
1 SOUTH KITCHEN WALL ELEVATION
SCALE: 1/2" = 1'-0"



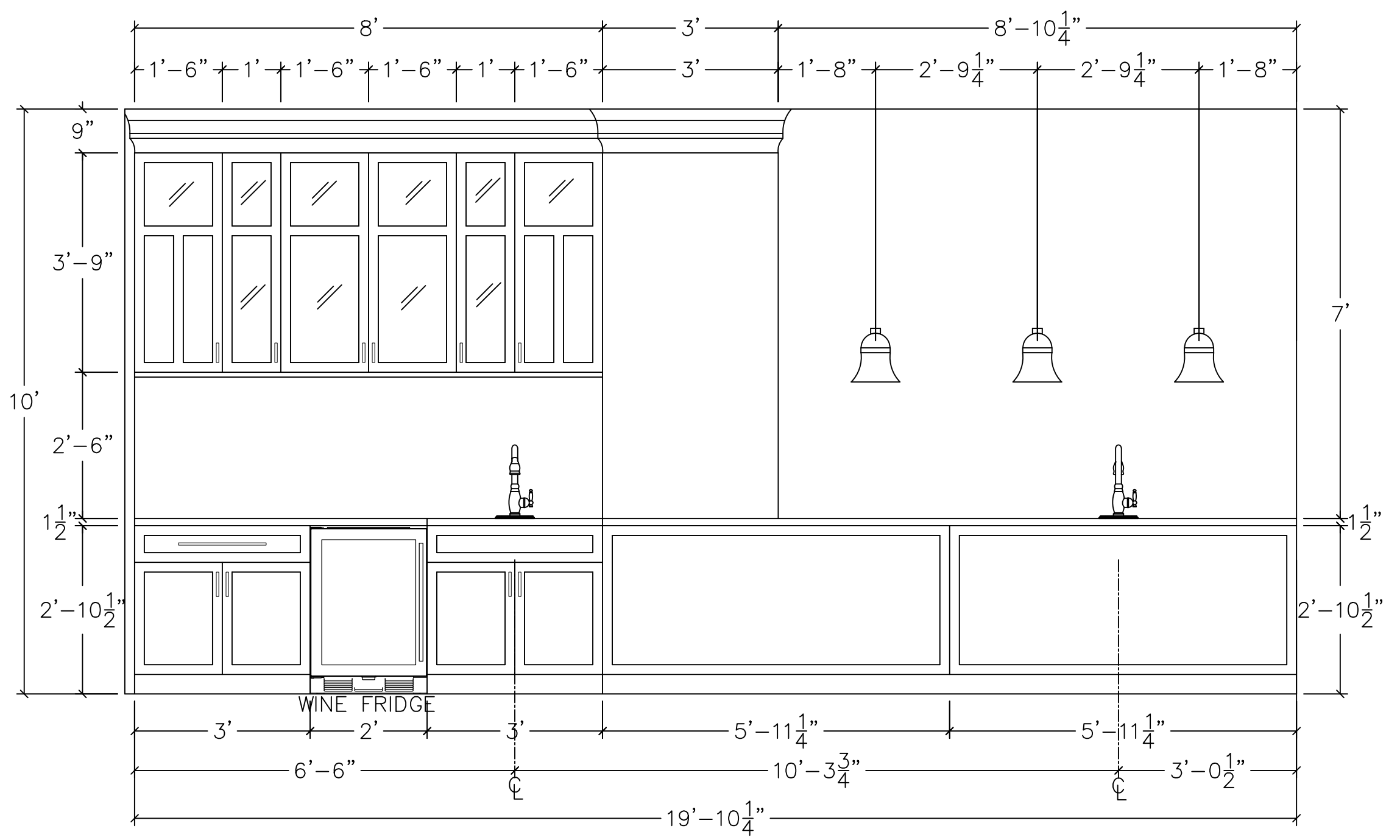
2 WEST KITCHEN WALL ELEVATION
SCALE: 1/2" = 1'-0"



3 NORTH KITCHEN WALL ELEVATION
SCALE: 1/2" = 1'-0"



4 ISLAND ELEVATION
SCALE: 1/2" = 1'-0"



5 BAR & BACK OF ISLAND ELEVATION
SCALE: 1/2" = 1'-0"