

**Description 1: Whole Body Aisle Guide**

**Description 2: Double Sided**

**WFD-2015-211**

**Materials**

- JDE #574894 1/4" Black P95 Acrylic
- JDE #479121 Ultra Removable Vinyl
- JDE #601203 3/4" Cherry Wood
- JDE #574904 McMaster Carr L Hooks

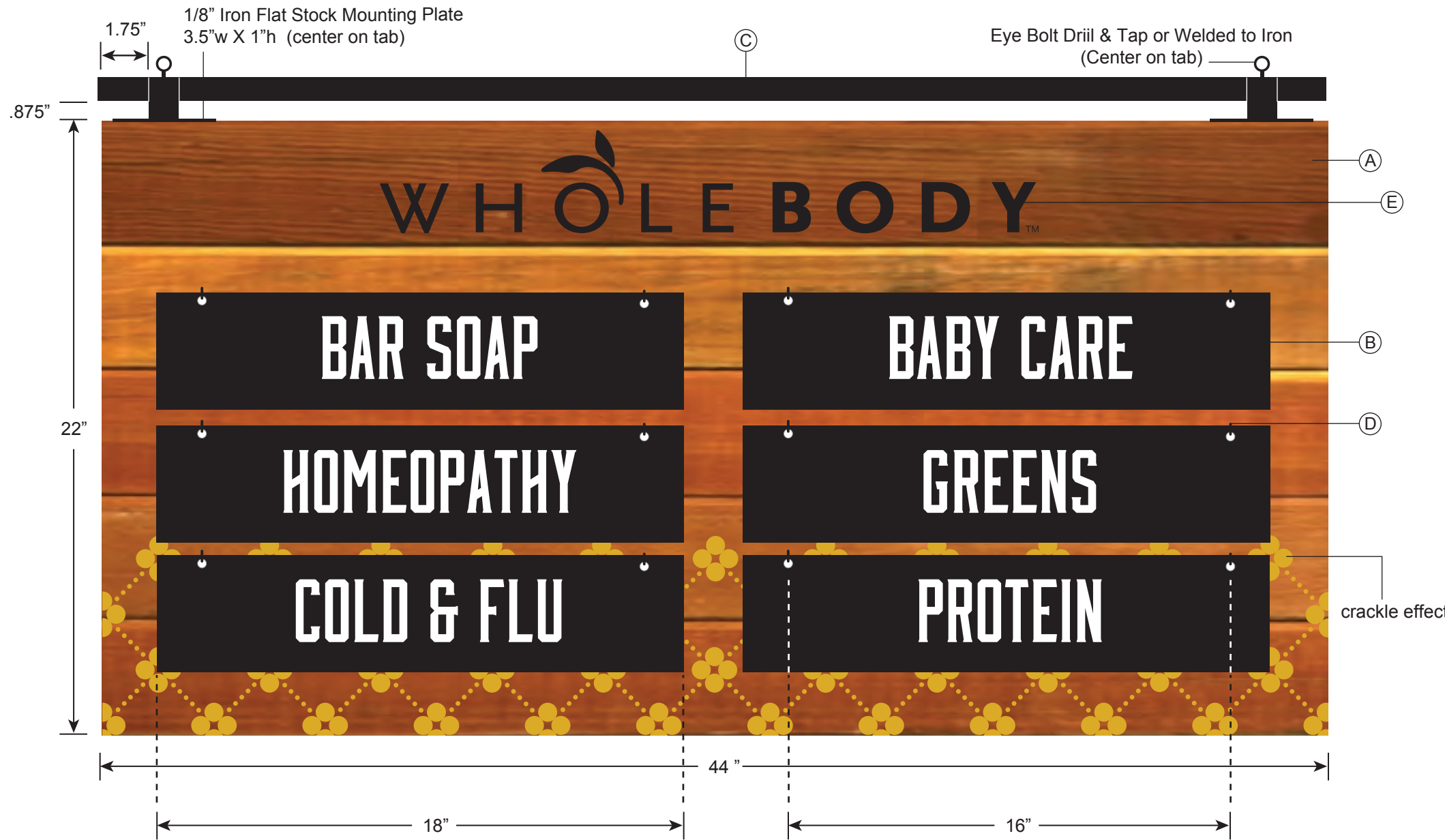
(A) 3/4" cherry wood base (x2).  
Two pieces mounted together to achieve 1.5" thickness. Clear water based satin finish. 44"w x 22"h

(B) See spec WFD-2015-191b  
1/4" black P95 acrylic inserts. Digital print on face. Inserts hang on "L" hooks mounted to 3/4" cherry wood base. 18"w x 4"h

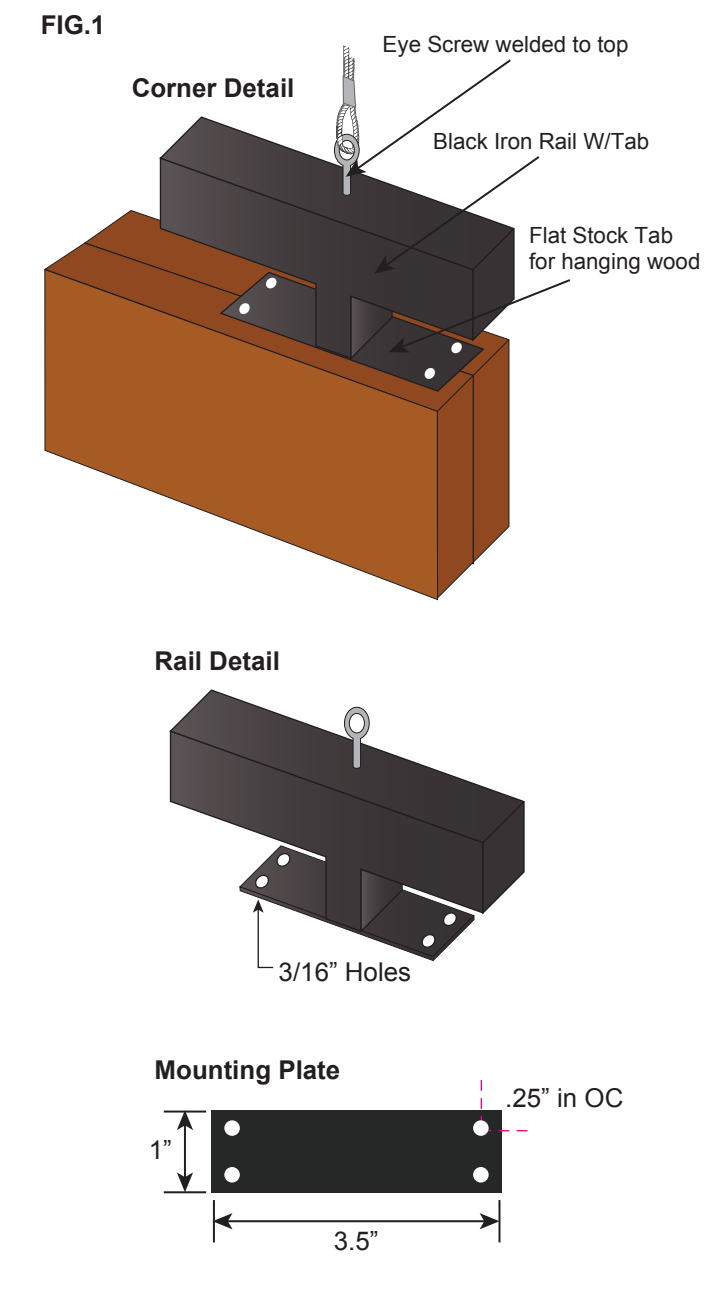
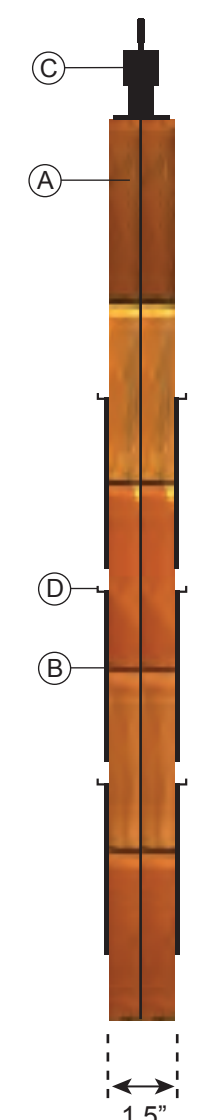
(C) JDE #xxxxxx  
1" diameter black iron railing w/ iron tabs. Tabs screw into top of cherry wood base. (See Fig. 1)

(D) JDE #574904  
McMaster Carr L hooks used for hanging inserts. L hooks are mounted to face of 3/4" cherry wood boards.

(E) JDE #604511  
Ultraremovable vinyl stencil. Stencil used to paint black letters and "crackle effect" gold floral pattern. 44"w x 22"h



**SIDE VIEW**



**Graphics:** N/A **Routing:** Route Board & Stencil **Paint:** As specified **Carpentry:** As needed. **Assembly:** Wrap components.



**File Name:** WFD-2015-211  
**Request:** Charlie  
**Date:** 6/24/15  
**Initials:** sjo

**Approval:**  
Yes  No   
**Date:**  
**Initials:**

**Revision:** 1  
**Request:** CC  
**Date:** 6/26/15  
**Initials:** sjo

**Hanging**   
**2-sided**   
**Paint**   
**Length** 44"

**Mounted**   
**1-sided**   
**No Paint**   
**Height** 22"

**Notes:** None  
**Fonts:** N/A

**Colors:**  N/A



601 Park East Drive, Woonsocket, RI 02895  
Phone 800.866.7446 / Fax 401.652.2598  
www.lsi-industries.com