

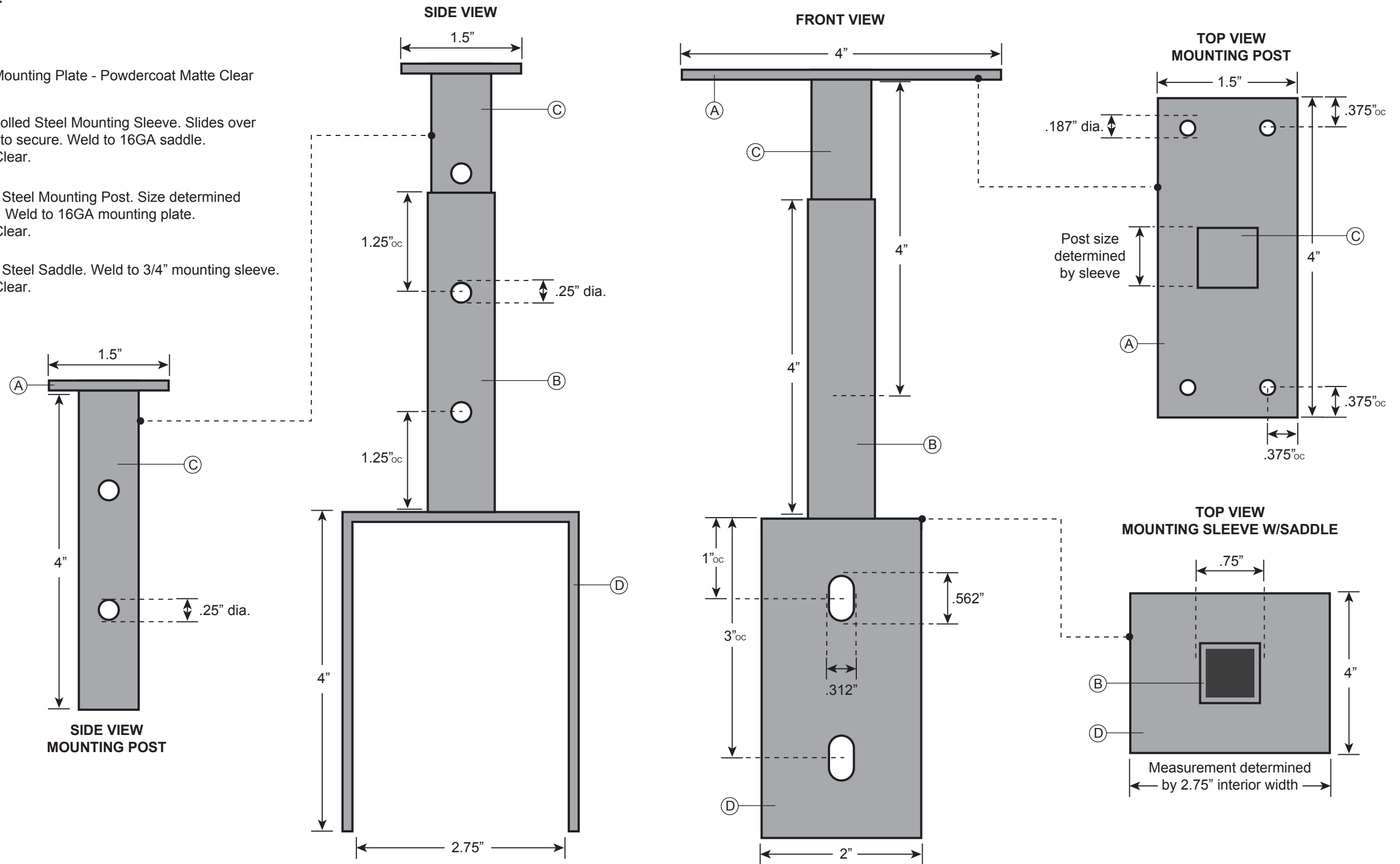
Description 1:

Description 2:

SPC-2_1 Saddle Bracket
WFD-2016-021
JDE# 620199

- (A) 16GA Cold Rolled Mounting Plate - Powdercoat Matte Clear
- (B) 3/4" Square Cold Rolled Steel Mounting Sleeve. Slides over mounting post. Bolt to secure. Weld to 16GA saddle. Powdercoat Matte Clear.
- (C) Square Cold Rolled Steel Mounting Post. Size determined by mounting sleeve. Weld to 16GA mounting plate. Powdercoat Matte Clear.
- (D) Square Cold Rolled Steel Saddle. Weld to 3/4" mounting sleeve. Powdercoat Matte Clear.

QTY: 12



Graphics: N/A **Routing:** N/A **Paint:** N/A **Carpentry:** N/A **Assembly:** N/A



File Name: SPC-2_1 Metal
Request: Charlie
Date: 1/29/16
Initials: sjo

Approval:
 Yes No
Date:
 Initials:

Revision: 0
Request: xx
Date: xx/xx/xx
Initials: xxx

Hanging
2-sided
Paint
Length xx

Mounted
1-sided
No Paint
Height xx

Notes:
Fonts: N/A

Colors:



601 Park East Drive, Woonsocket, RI 02895
 Phone 800.866.7446 / Fax 401.652.2598
 www.lsi-industries.com