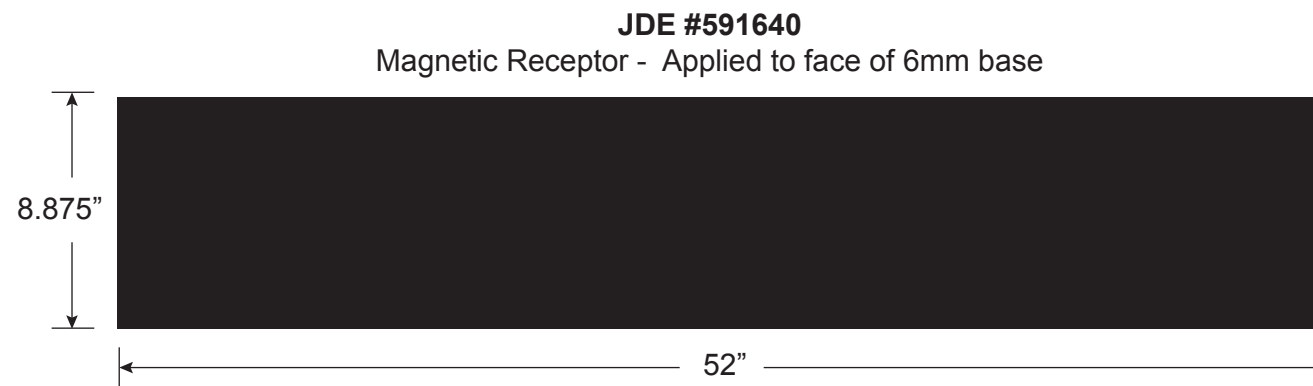
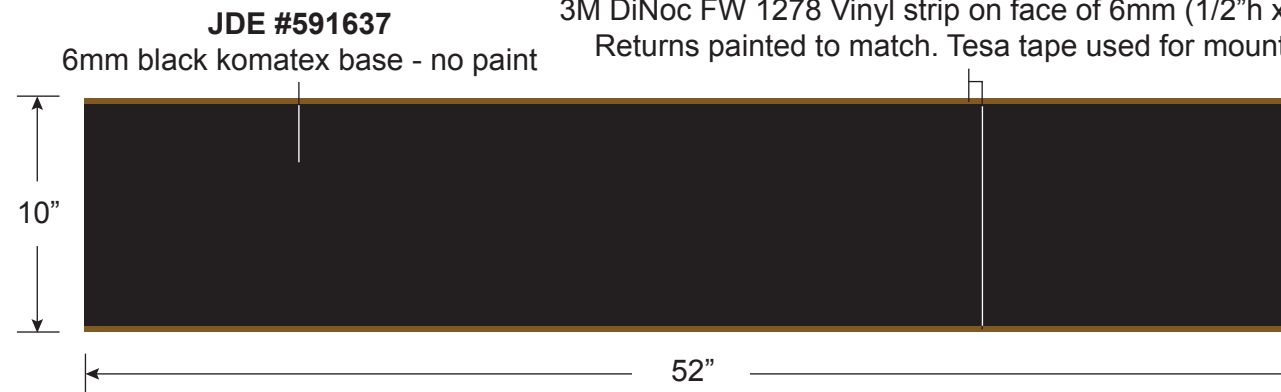


Cooler Header

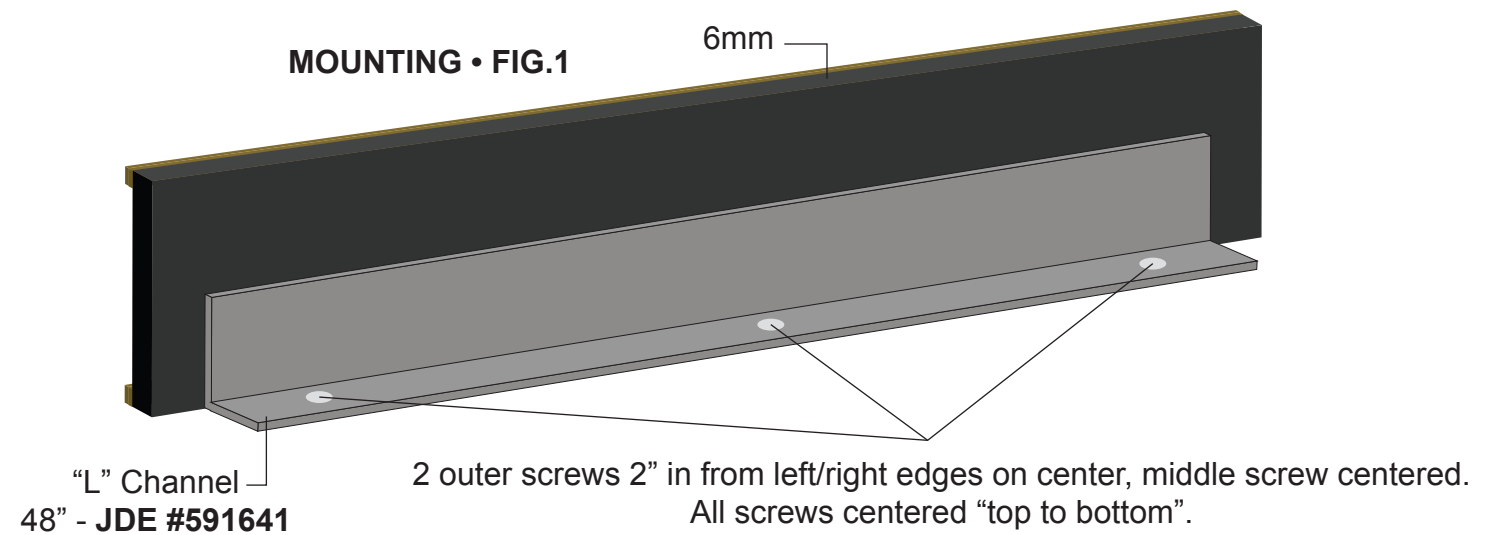
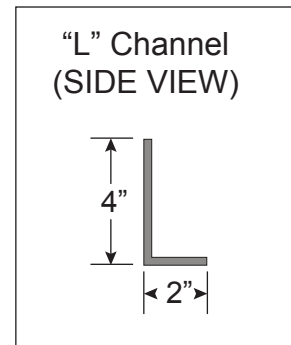
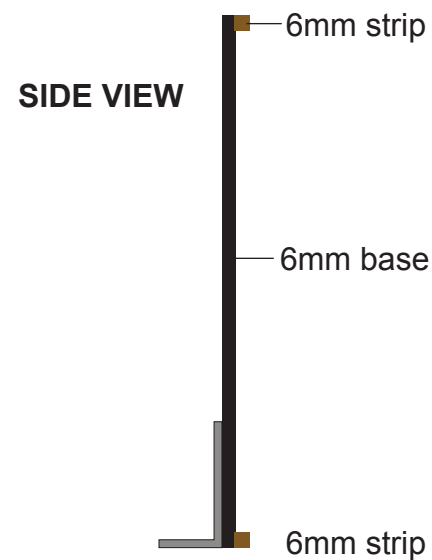
- #591518**
- JDE #733124 6mm Black Komatex
- JDE #636738 6mm Komatex
- JDE #443831 Magnetic Receptor
- JDE #588192 3M DiNoc FW 1278 Vinyl
- JDE #591505 "L" Channel

JDE #591639 Cut M DiNoc FW 1278 Vinyl

- JDE #591638**
- 6mm komatex strips - 1/2"h x 52"w (Top & Bottom)
- 3M DiNoc FW 1278 Vinyl strip on face of 6mm (1/2"h x 52"w)
- Returns painted to match. Tesa tape used for mounting.



"L" channel attached along bottom of gondola. "L" channel mounted using tesa tape. Header lifts up and on to "L" channel. Screwed through bottom of header.
3 - JDE #426574 #10x1 HWH SDS ZP Self tapping screws included for mounting. (See FIG.1)



Graphics: N/A **Routing:** Route **Paint:** N/A **Carpentry:** Assembly **Assembly:** Wrap

	File Name: CVS-2015-024	Approval: Yes <input type="checkbox"/> No <input type="checkbox"/>	Revision: 2	Hanging <input type="checkbox"/>	Mounted <input checked="" type="checkbox"/>	Notes: 3 - 3" x 9" wooden shoes to support the sign. "L" channel is screwed into top of cooler.	Colors: None
	Request: Gabrielle	Date: 2/5/15	Request: GD	2-sided <input type="checkbox"/>	1-sided <input checked="" type="checkbox"/>		Fonts: None
	Date: 2/5/15	Date:	Date: 3/9/15	Paint <input type="checkbox"/>	No Paint <input checked="" type="checkbox"/>		
	Initials: sjo	Initials:	Initials: sjo	Length 52"	Height 10"		



601 Park East Drive, Woonsocket, RI 02895
 Phone 800.866.7446 / Fax 401.652.2598
 www.lsi-industries.com