

2014-227_585210

• Materials

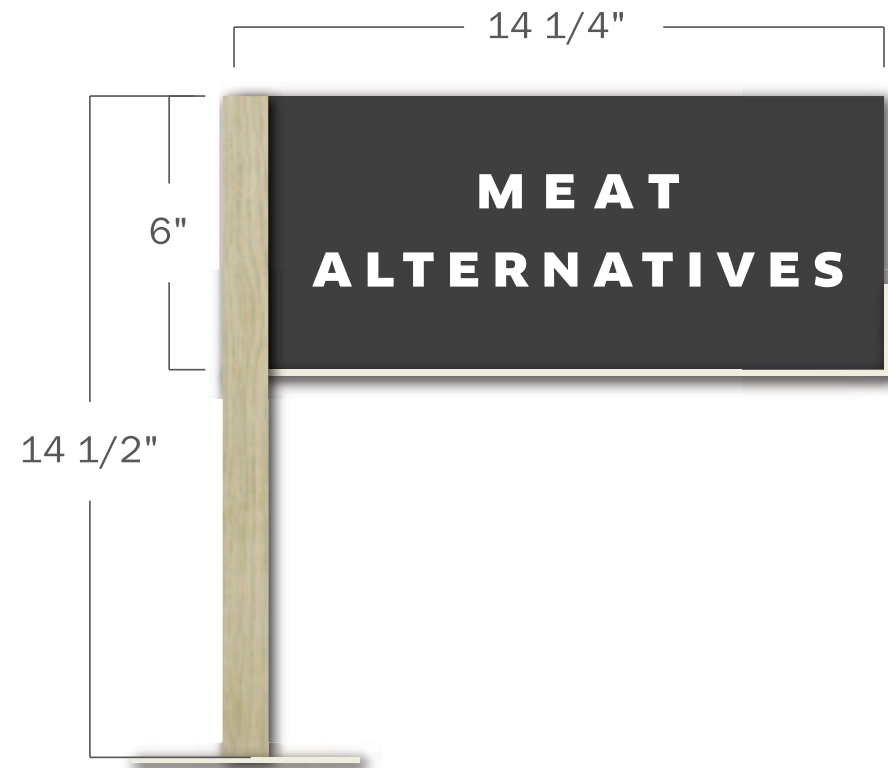
JDE # _____ 1" SQ Reclaimed Limed Oak

• Hardware

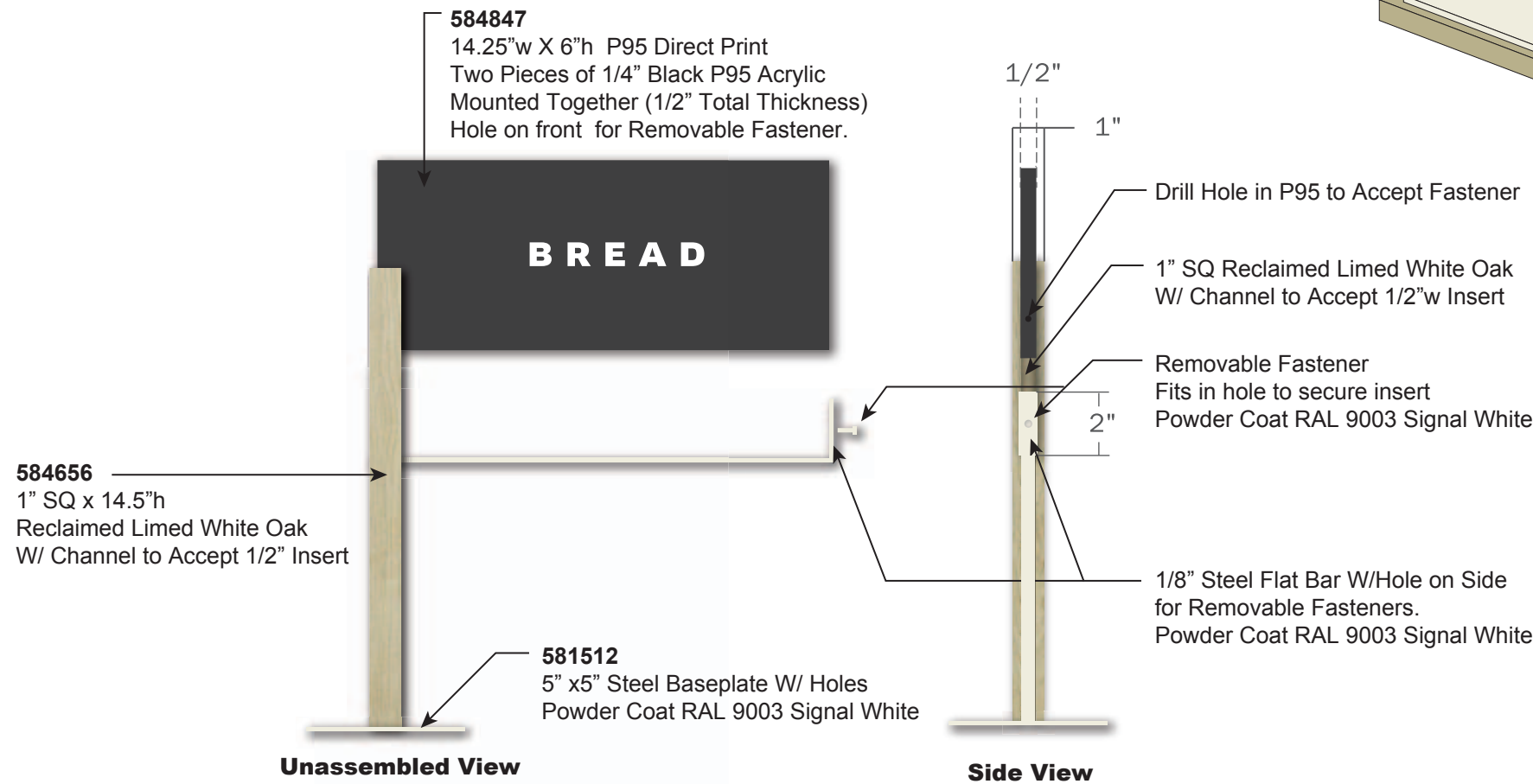
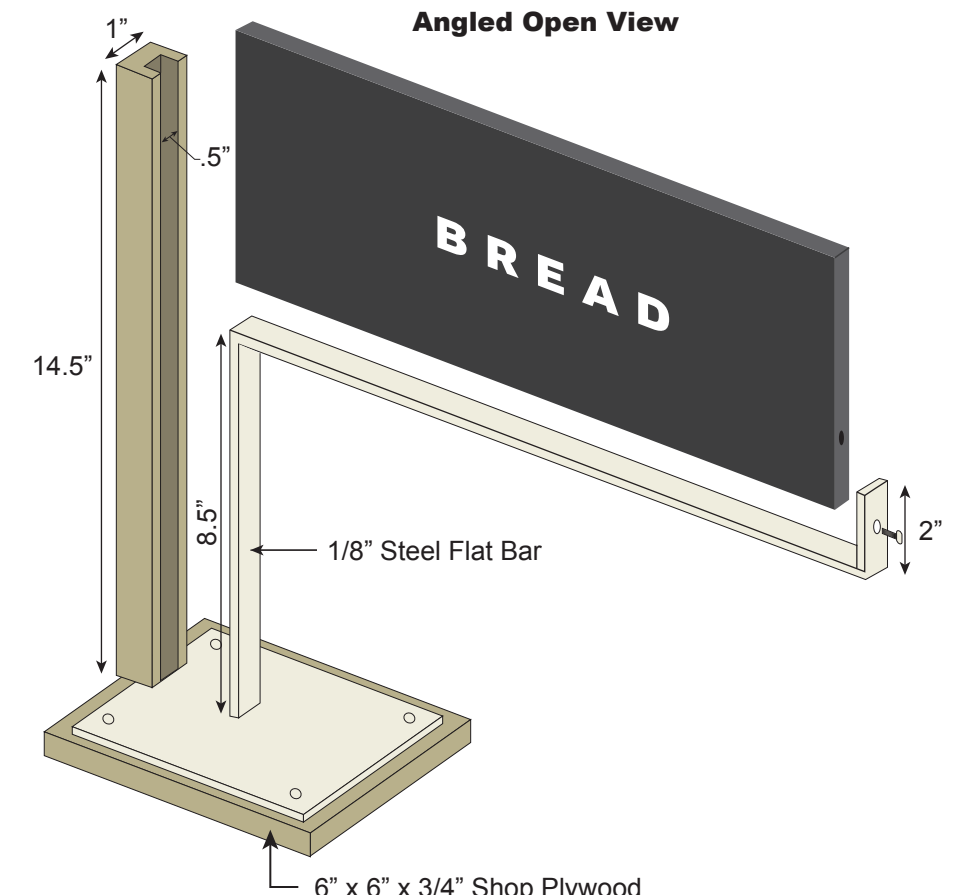
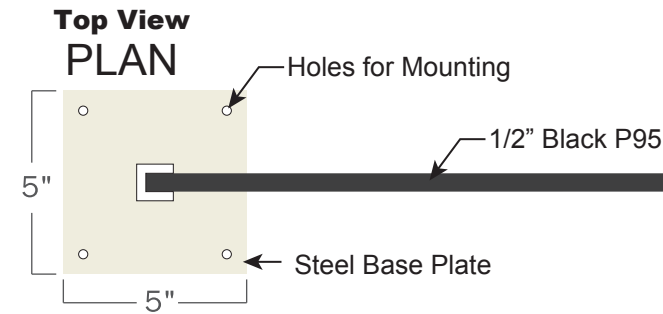
JDE # _____ 1/8" Flat Steel Bar

JDE # _____ Removable Fastener

JDE # _____ 5"x5" Steel Base Plate



Finished View



Unassembled View

Side View

Graphics: N/A **Routing:** Route Oak **Paint:** Stain Wood Reclaimed Limed **Carpentry:** Assemble Wood/ SteeFlat Bar **Assembly:** Apply Vinyl/ Drill Holes for P95/ Wrap Sign When Complete



File Name: 2014-227
Request: Charlie
Date: 11/6/2014
Initials: sjo

Approval:
Yes No
Date:
Initials:

Revision: xx
Request: xx
Date: xx/xx/xx
Initials: xx

Hanging
2-sided
Paint
Length 14.25"

Mounted
1-sided
No Paint
Height 14.5"

Notes:
N/A
Fonts:
N/A

Stain:
Reclaimed Lime



601 Park East Drive, Woonsocket, RI 02895
Phone 800.866.7446 / Fax 401.652.2598
www.lsi-industries.com