

## STANDARD STORE

STORE #9503: BEVERLY BOULEVARD LOS ANGELES, CA 90048

### RAINBOW REGIONAL PANEL

JDE #CVS-2012-0293

Single Sided Digital Print W/Tape on Back (388" w x 38" h)

**Materials**

JDE# 434294 .040 Styrene (60" x 120")

JDE# 439598 1/2" White Foam Tape

Store 9503: Los Angeles  
CONCEPT DRAFT



NOTE: This is a 3d visualization - NOT to be used for construction purposes.

**Approval**

Yes  No

Initials: \_\_\_\_\_

Date: \_\_\_\_\_

**Description:**

Single Sided Digital Prints

\* .040 Styrene Panels

Hanging  Wall Mount

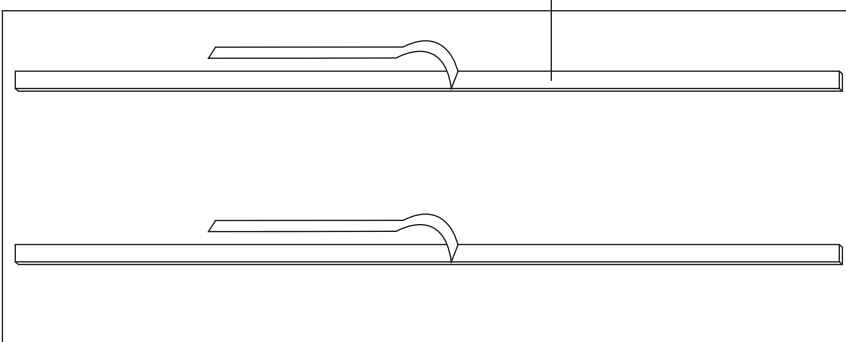
2-sided  1-sided

Paint  No Paint

**ESTIMATED SIZES:**

Scotchprints	Height X Width
Panel A	38" x 114"
Panel B	38" x 112"
Panel C	38" x 112"
Panel D	38" x 50"
Total Sq. Footage = 102.3	

**Back Side of Graphic**



**Notes:**

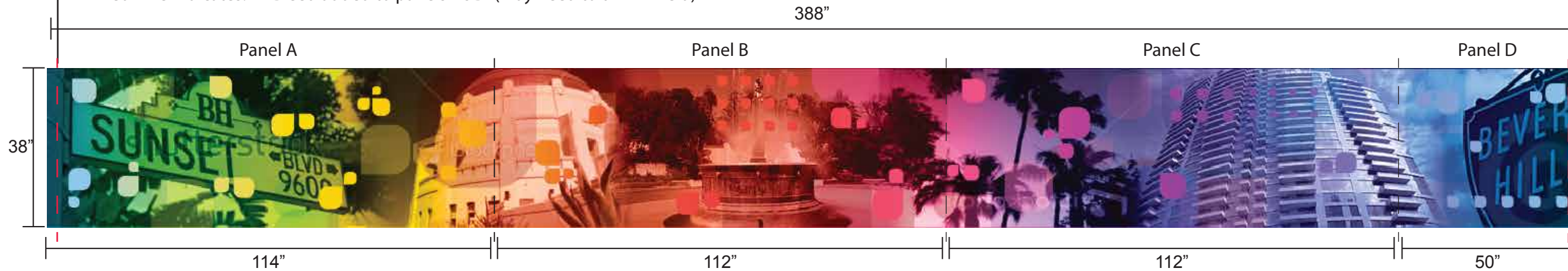
\*Printed Panels to be Installed just above the 4" black cove base on the back of the fixture facing the registers.

\*Peel liner of white tape 1/2 way off, and add a drops of caulking.

\*Panels are applied directly to the back of the fixture, apply even pressure, as you remove the rest of the liner.

\*Apply even pressure over the entire length of panels to ensure that the adhesive is secure.

Red Line Indicates: 2" Bleed added to panels A&D (may need to trim in field)



811 Park East Drive  
Woonsocket, RI 02895  
Phone 800.866.7446  
Fax 401.766.1557  
www.lsi-industries.com