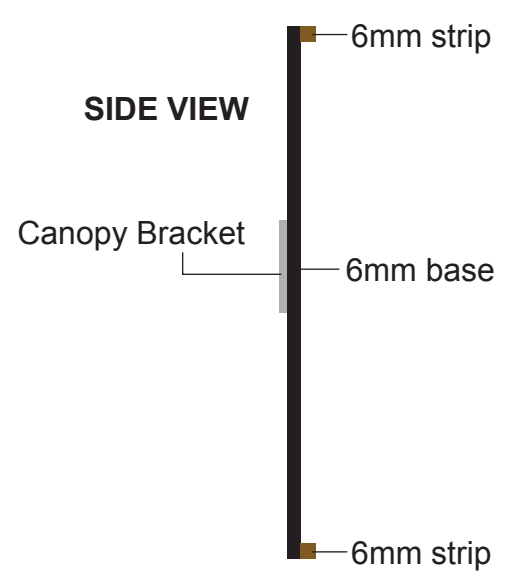
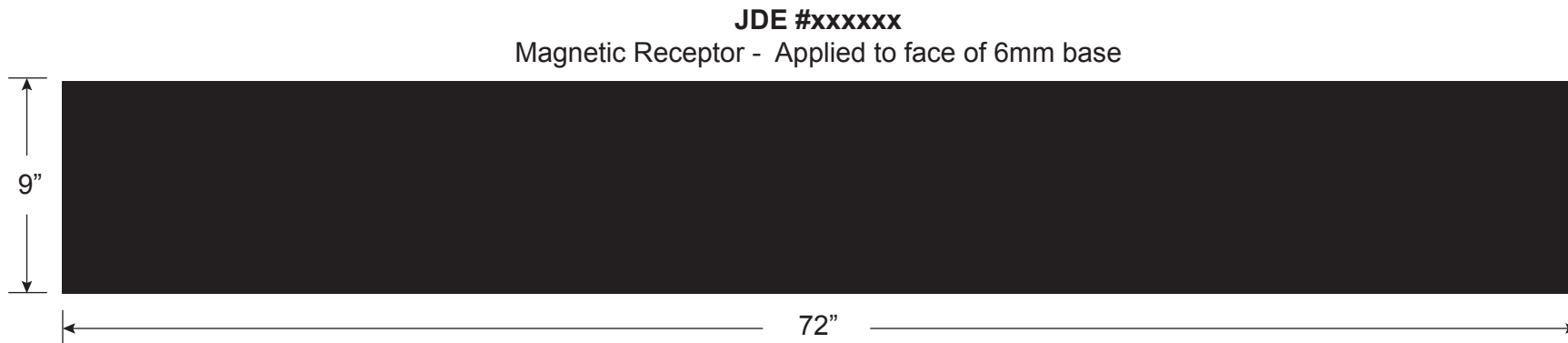
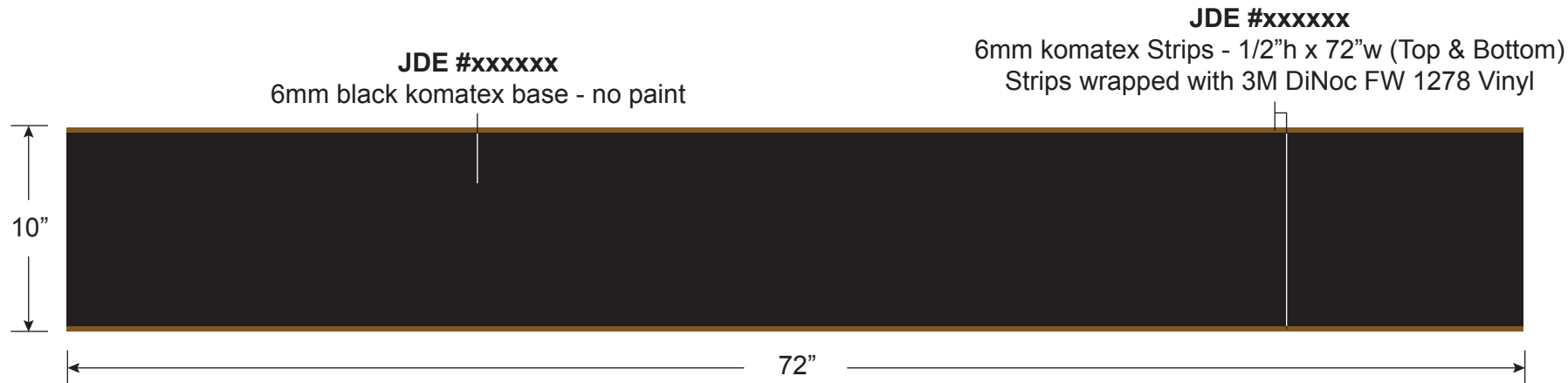


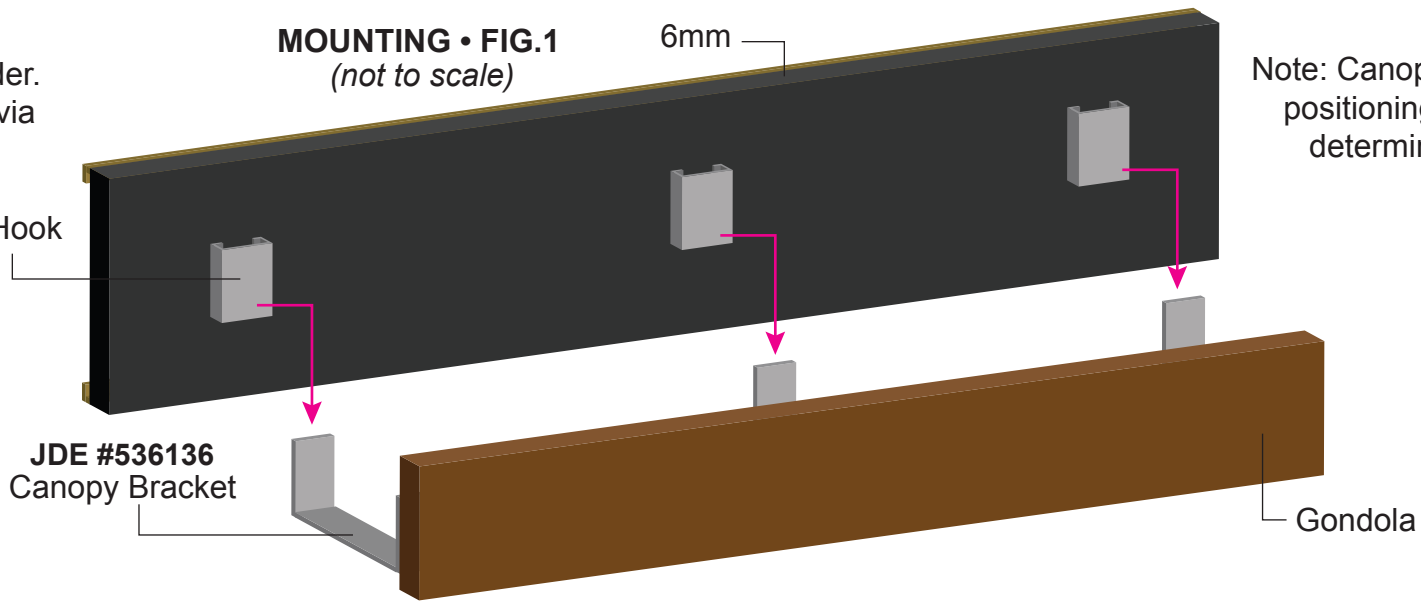
**Gondola Header**

- #xxxxxx
- JDE #733124 6mm Black Komatex
- JDE #636738 6mm Komatex
- JDE #443831 Magnetic Receptor
- JDE #588192 3M DiNoc FW 1278 Vinyl
- JDE #536136 Canopy Bracket

JDE #xxxxxx Cut M DiNoc FW 1278 Vinyl



Canopy brackets attached to gondola. Bracket hooks attached to the back of header. Header lifts up and on to canopy brackets via hooks brackets. (See FIG.1)



Note: Canopy bracket/hook positioning & mounting determined on site.

Graphics: N/A Routing: Route Paint: N/A Carpentry: Assembly Assembly: Wrap

	<b>File Name:</b> CVS-2015-003	<b>Approval:</b> Yes <input type="checkbox"/> No <input type="checkbox"/>	<b>Revision:</b> xx	<b>Hanging</b> <input type="checkbox"/>	<b>Mounted</b> <input checked="" type="checkbox"/>	<b>Notes:</b> None	<b>Colors:</b> None
	<b>Request:</b> Gabrielle	<b>Date:</b> 1/22/15	<b>Request:</b> xx	<b>2-sided</b> <input type="checkbox"/>	<b>1-sided</b> <input checked="" type="checkbox"/>		<input type="text"/>
<b>Date:</b> 1/22/15	<b>Initials:</b> sjo	<b>Date:</b> xx/xx/xx	<b>Paint</b> <input type="checkbox"/>	<b>No Paint</b> <input checked="" type="checkbox"/>	<b>Height</b> 10"		<b>Fonts:</b> None
		<b>Initials:</b> xxx	<b>Length</b> 72"				

