

Description 1: GR 5.0 Aisle Guides

Description 2: Double Sided

2014-228_585324

Double Sided

Materials

- JDE # 428209 1/2" MDF
- JDE # 479121 Ultra Removable Vinyl
- JDE # 479121 Aircraft cable
- JDE # 428187 1/8" Diameter Steel Rod
- JDE # xxxxxx #8-32 Phillips Flat Head Fasteners painted to match RAL 9003 Signal White.

FRAME B

- 2" x 51.5" JDE # 583112
- 2" x 19.5" JDE # 584659
- 2" x 12.5" JDE # 584661
- 2" x 11.5" JDE # 584662

LOGOS

- Star - JDE # 585329
- 87 - JDE # 585510
- NYC - JDE # 585511

TOP- # 581480 / BOTTOM- #581481

(A) Embedded steel "L" brackets (See FIG. 3) w/ thru bolts at each corner. Powder coat all pieces RAL 9003 Signal White. Integrated suspension points into top brackets only. Aircraft cable for hanging.

(B) 1/2" x 2" reclaimed limed oak frame. Route channels for lift & drop insertion of acrylic inserts.

578076 / Assembled pieces #585326

(C) Two pieces of 1/8" black P95 acrylic mounted together (1/4" total thickness) with digital print on matte surface of each piece. 18.5"w x 3.75"h

581488

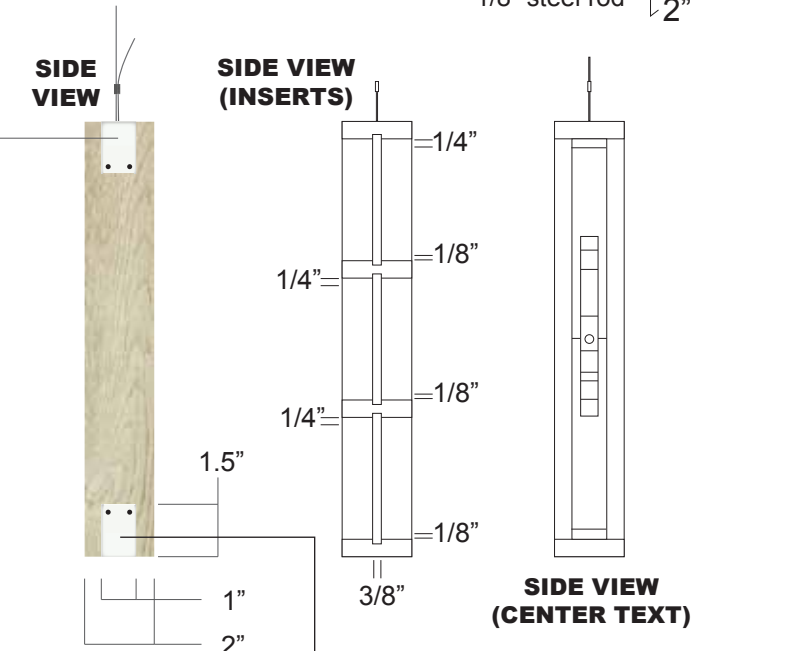
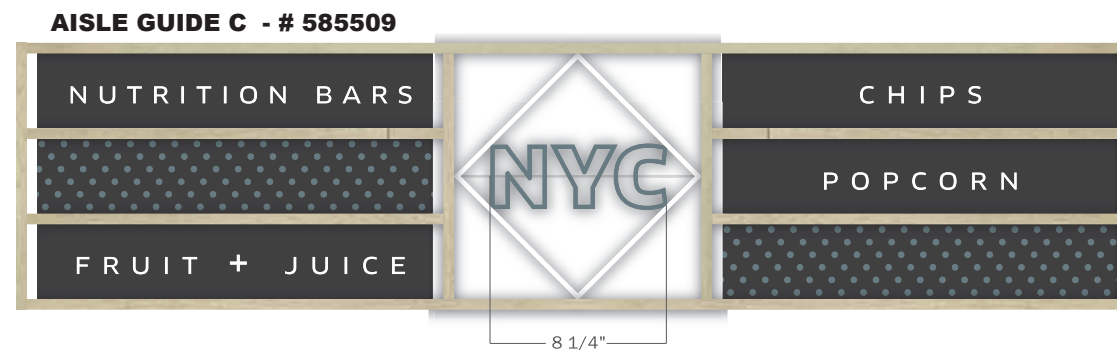
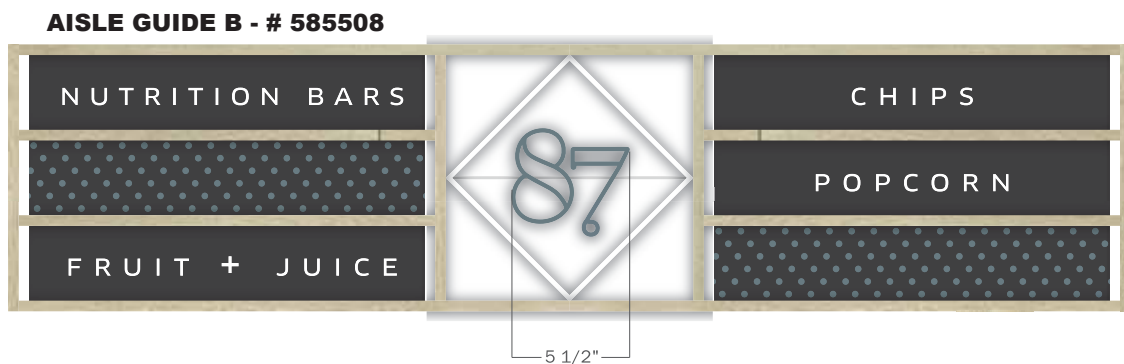
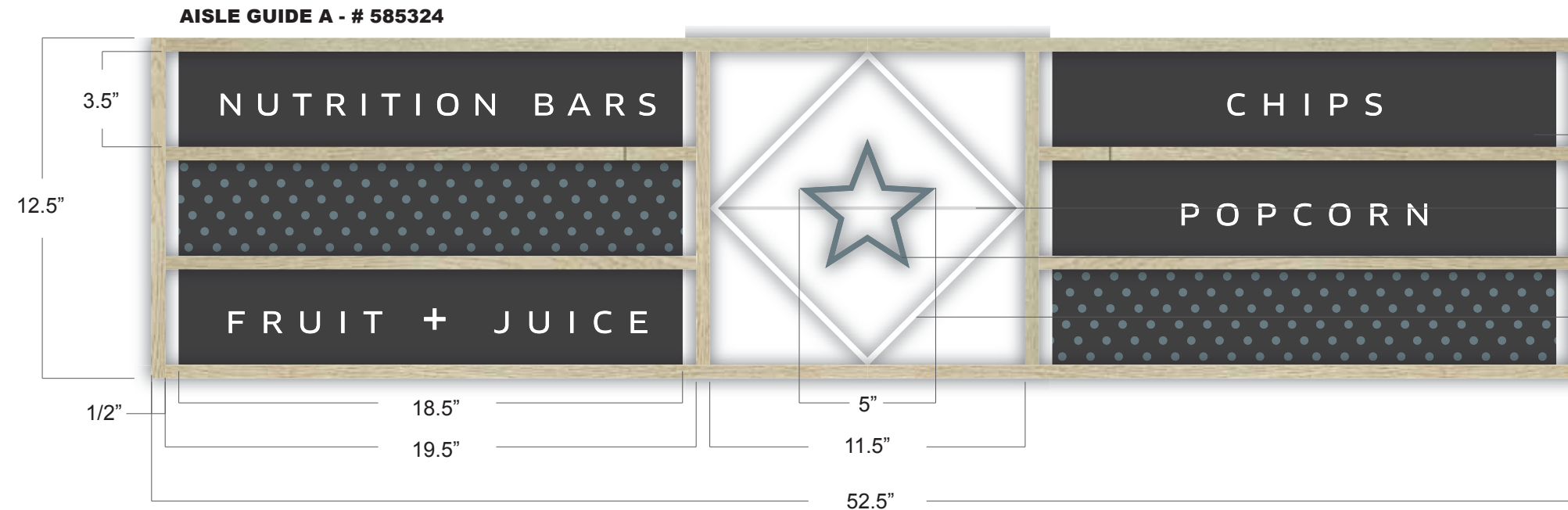
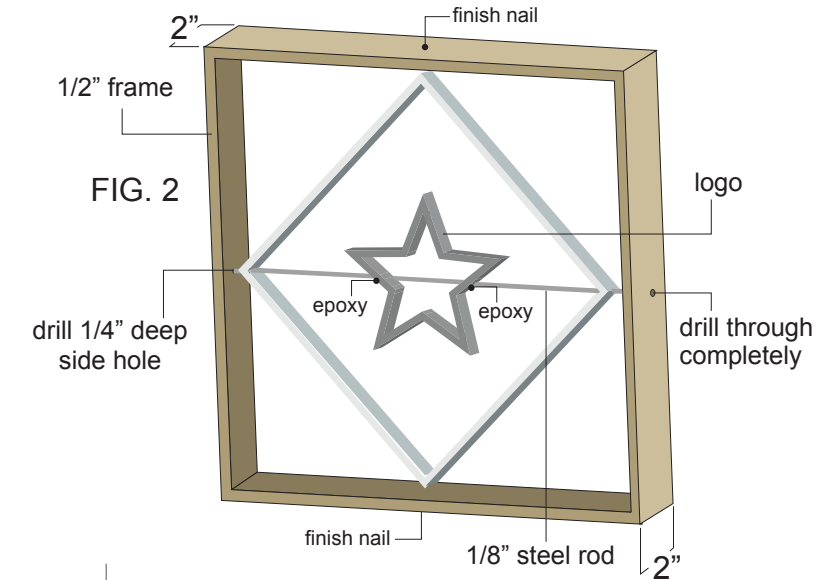
(D) 1/8" diameter steel rod. Painted to match RAL 7022 Light Grey. Mounted through frame on each end. (See FIG. 2)

585330

(E) 1" MDF diamond. Paint all sides to match RAL 9003 Signal White. 1/8" steel rod slides through diamond for mounting. 11.5"w x 11.5"h (See FIG. 2)

585329

(F) 1/2" MDF logo. (2pcs - 1/4" MDF mounted together.) Mount 2 - 1/4" pieces of MDF together with hog down on one side of each panel creating channel to accept steel rod. Logo is then routed out of assembled piece to assure alignment. Paint all sides BM 1734 Santorini Blue (High Gloss). Slides on to 1/8" steel rod for mounting. 5"w x 4.75"h (See FIG. 2)



Graphics: Digital Print **Routing:** Route **Paint:** Paint **Carpentry:** As Needed **Assembly:** Wrap Sign When Complete



File Name: 2014-228
Request: Charlie
Date: 11/6/14
Initials: sjo

Approval:
 Yes No
Date:
 Initials:

Revision: xx
Request: xx
Date: xx/xx/xx
Initials: xx

Hanging
2-sided
Paint
Length 52.5"

Mounted
1-sided
No Paint
Height 12.5"

Notes:
 N/A
Fonts:
 N/A

Colors: xxx



601 Park East Drive, Woonsocket, RI 02895
 Phone 800.866.7446 / Fax 401.652.2598
 www.lsi-industries.com