

**Description 1: CS 3.0 Checkout Lights**

**Description 2: 4 Sided Sign**

2014-212\_585276

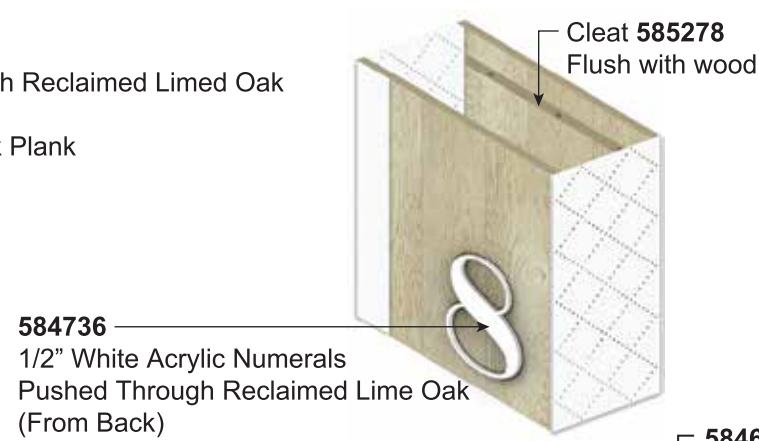
2 Sided Sign/ 4-Sided Finish  
Dimensional Numbers Pushed Through Reclaimed Limed Oak

**• Materials**

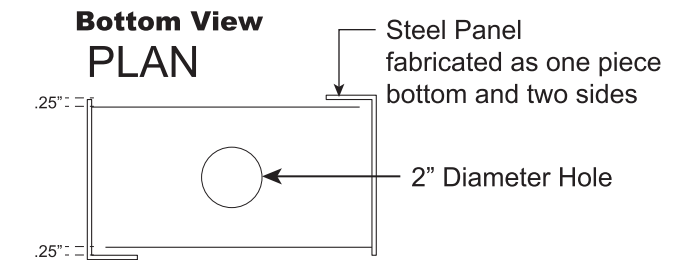
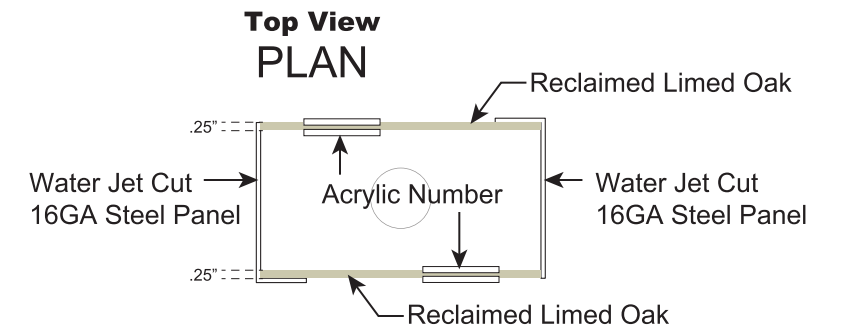
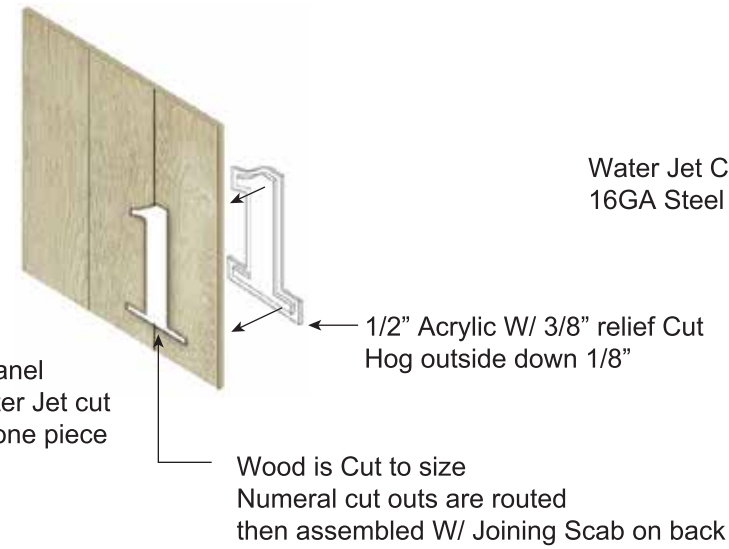
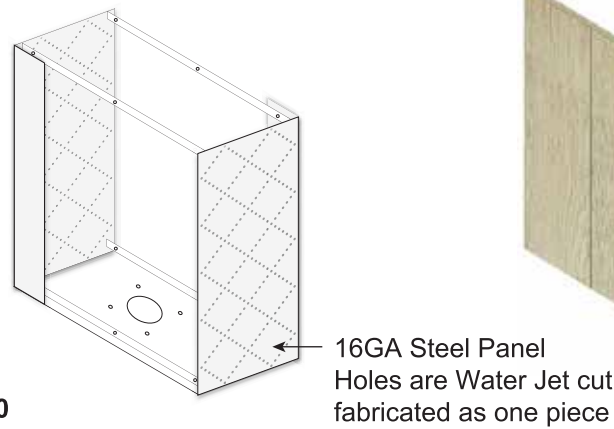
JDE # \_\_\_\_\_ 12" x 3" x 1/4" Oak Plank  
JDE #434306 1/2" White Acrylic

**• Hardware**

JDE # \_\_\_\_\_ A19 LED Light Bulb



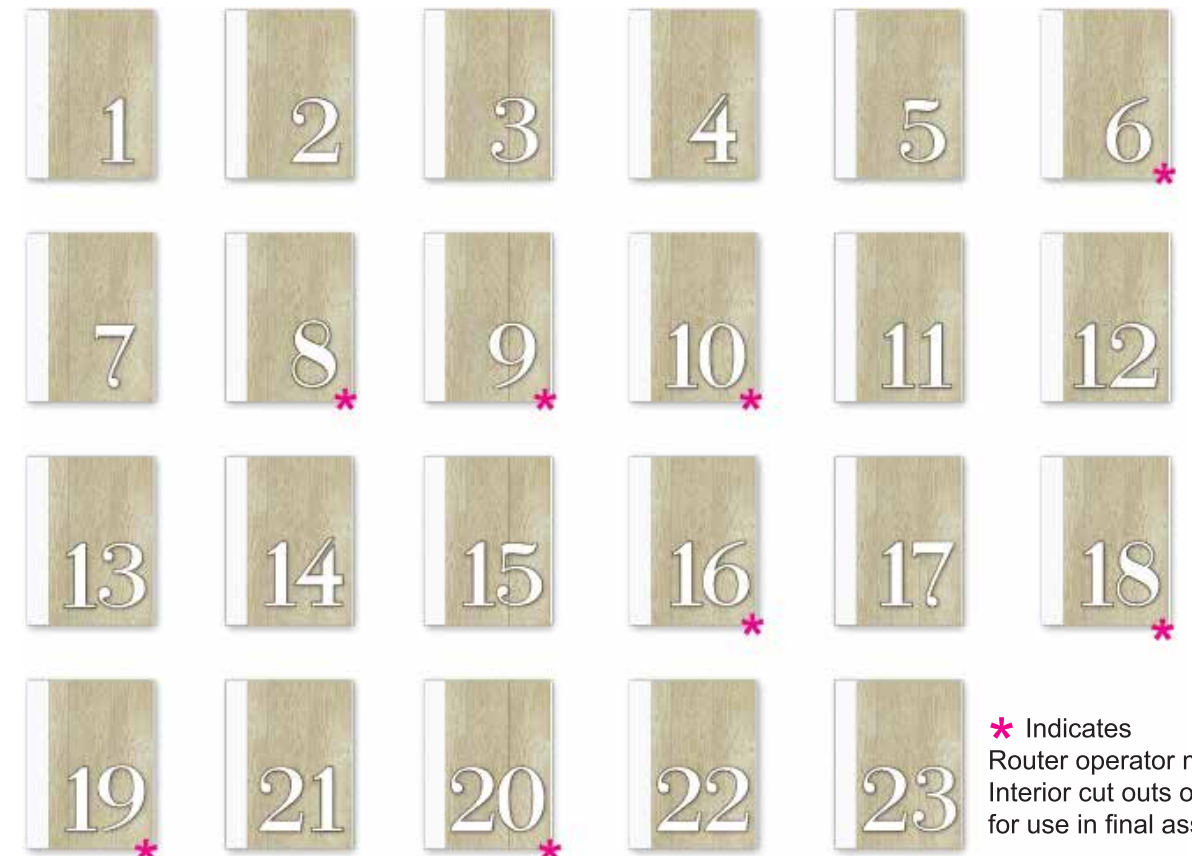
**Finished Angle View**



**Side View**



**Number List**



\* Indicates Router operator must save Interior cut outs of Numerals for use in final assembly

**Graphics:** N/A **Routing:** Route Oak **Paint:** Stain Wood Reclaimed Limed **Carpentry:** Assemble Wood/Steel Panel **Assembly:** Insert Numbers/Wrap Sign When Complete



**File Name:** 2014-212  
**Request:** Charlie  
**Date:** 11/5/2014  
**Initials:** sjo

**Approval:**  
Yes  No   
**Date:**  
**Initials:**

**Revision:** xx  
**Request:** xx  
**Date:** xx/xx/xx  
**Initials:** xx

**Hanging**   
**2-sided**   
**Paint**   
**Length** Varies

**Mounted**   
**1-sided**   
**No Paint**   
**Height** Varies

**Notes:**  
N/A  
**Fonts:**  
N/A

**Stain:**  
Reclaimed Lime



601 Park East Drive, Woonsocket, RI 02895  
Phone 800.866.7446 / Fax 401.652.2598  
www.lsi-industries.com