

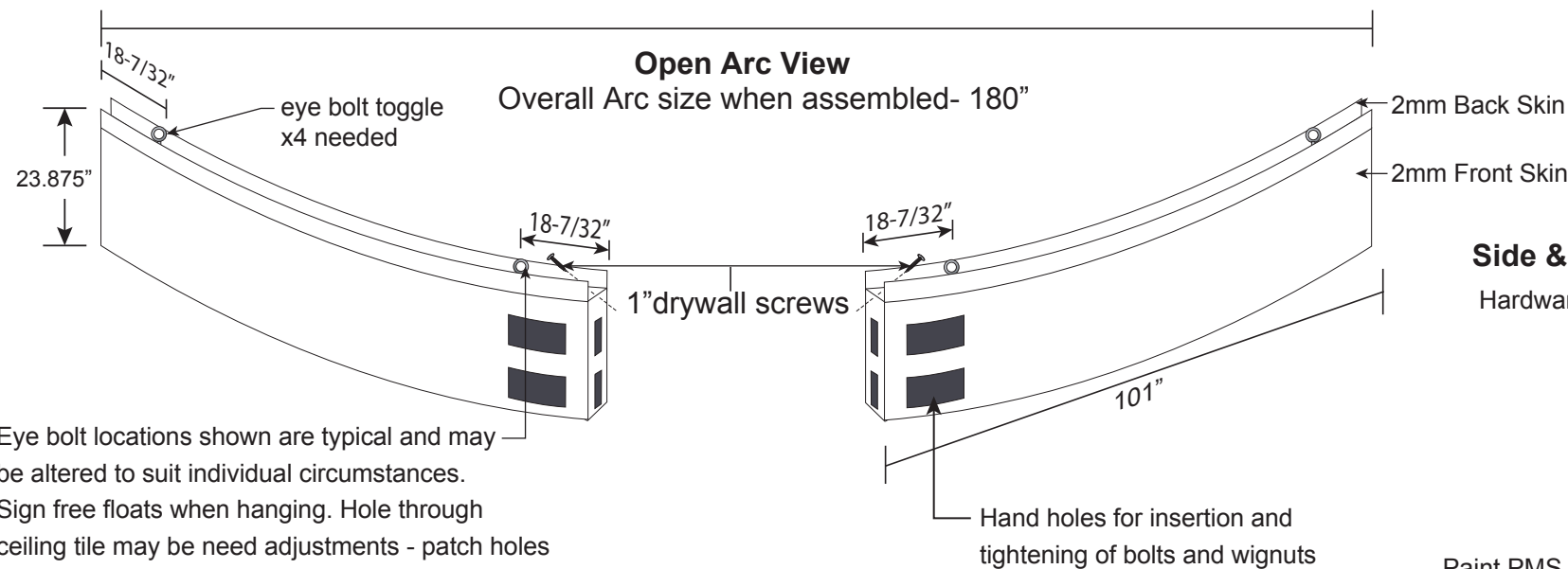
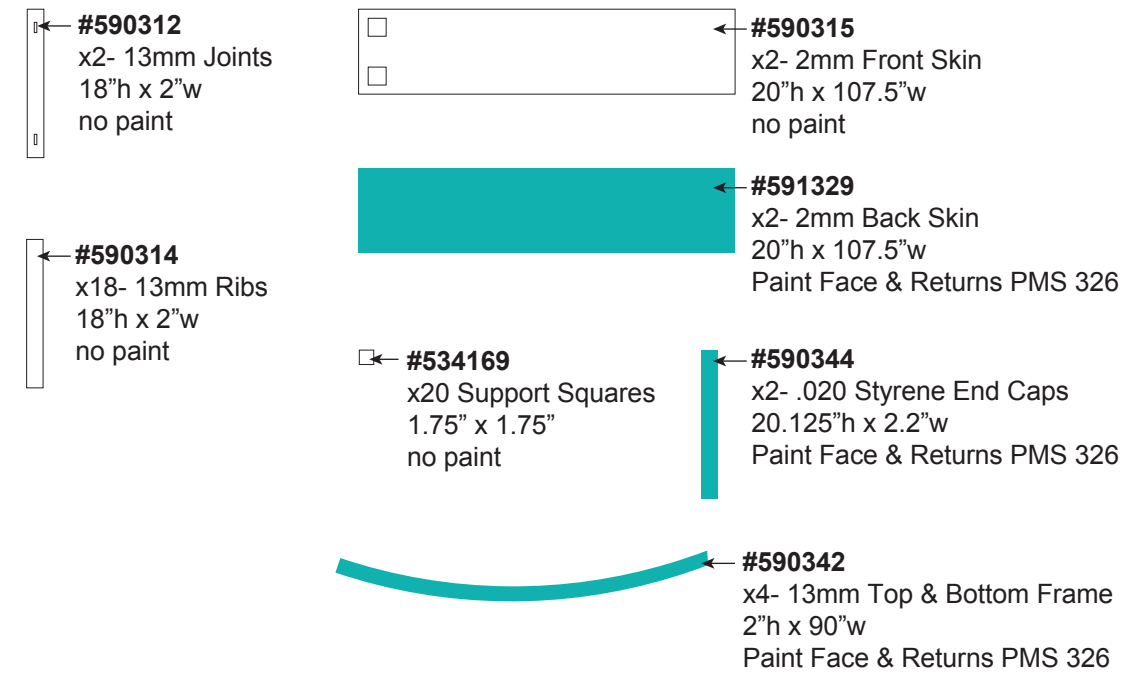
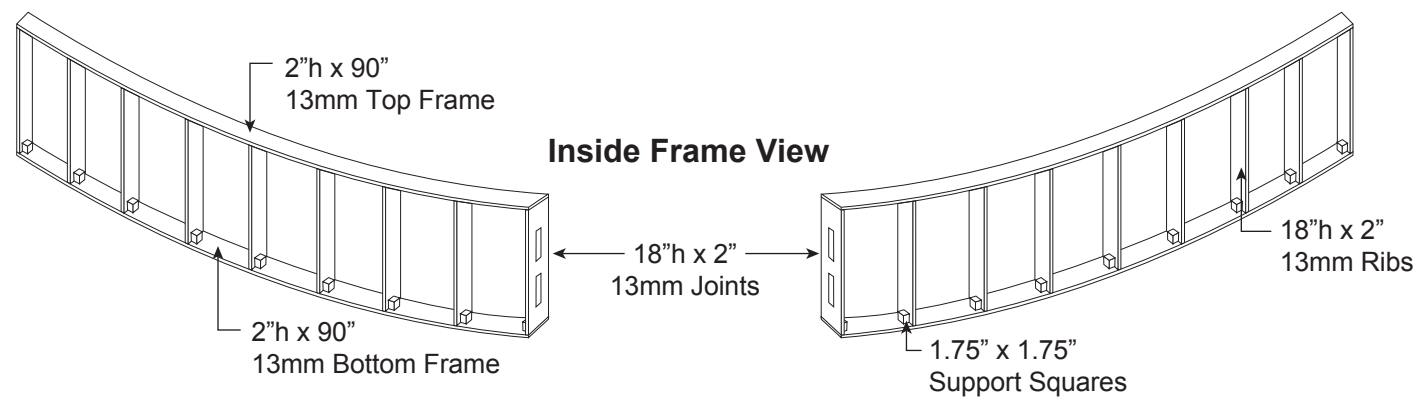
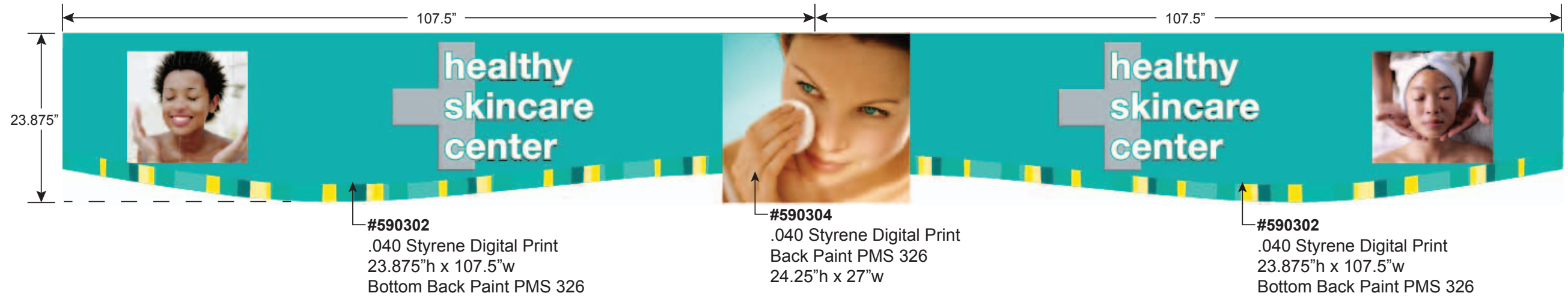
Description 1: 15' Healty Skincare Arc

Description 2: Single Sided Sign

CVS- 2015-001_590202

• Materials

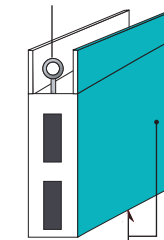
- JDE #637677 2mm Komatex
- JDE #437192 13mm Komatex
- JDE #403998 .020 Styrene
- JDE #488587 .040 Styrene



Eye bolt locations shown are typical and may be altered to suit individual circumstances. Sign free floats when hanging. Hole through ceiling tile may be need adjustments - patch holes with white latex caulk.

Side & Back View

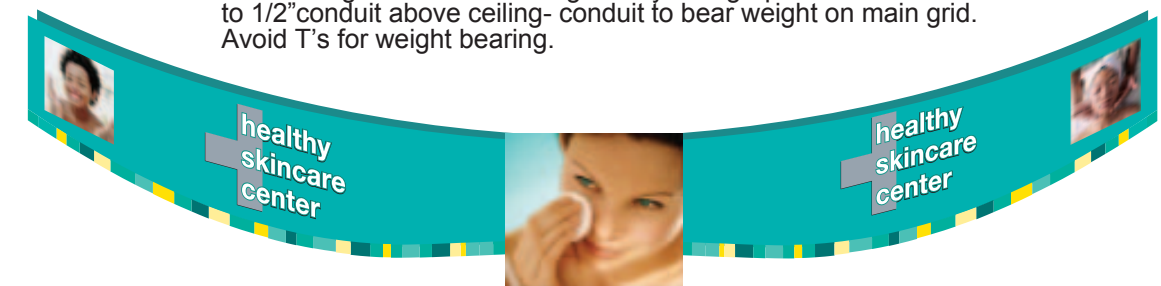
Hardware is hidden



Paint PMS 326
Back and bottom returns only

Installation Instructions

Arc to hang 8' from floor. Hung evenly with graphics. 1/32" cable to 1/2" conduit above ceiling- conduit to bear weight on main grid. Avoid T's for weight bearing.



Graphics: Print on .040 Styrene **Routing:** Cut Frame/ Ribs/ Digital Print **Paint:** Back & Bottom **Carpentry:** Assemble Arc **Assembly:** Attach Digital Print/ Wrap When Complete

	File Name: CVS-2015-001	Approval: Yes <input type="checkbox"/> No <input type="checkbox"/>	Revision: xx	Hanging <input checked="" type="checkbox"/>	Mounted <input type="checkbox"/>	Notes:	Colors: PMS 326c
	Request: Gabrielle	Date: 1/20/15	Request: xx	2-sided <input type="checkbox"/>	1-sided <input checked="" type="checkbox"/>		
Initials: sjo	Date:	Initials: xx	Paint <input checked="" type="checkbox"/>	No Paint <input type="checkbox"/>			
			Length 180"	Height 24.25"			



601 Park East Drive, Woonsocket, RI 02895
Phone 800.866.7446 / Fax 401.652.2598
www.lsi-industries.com