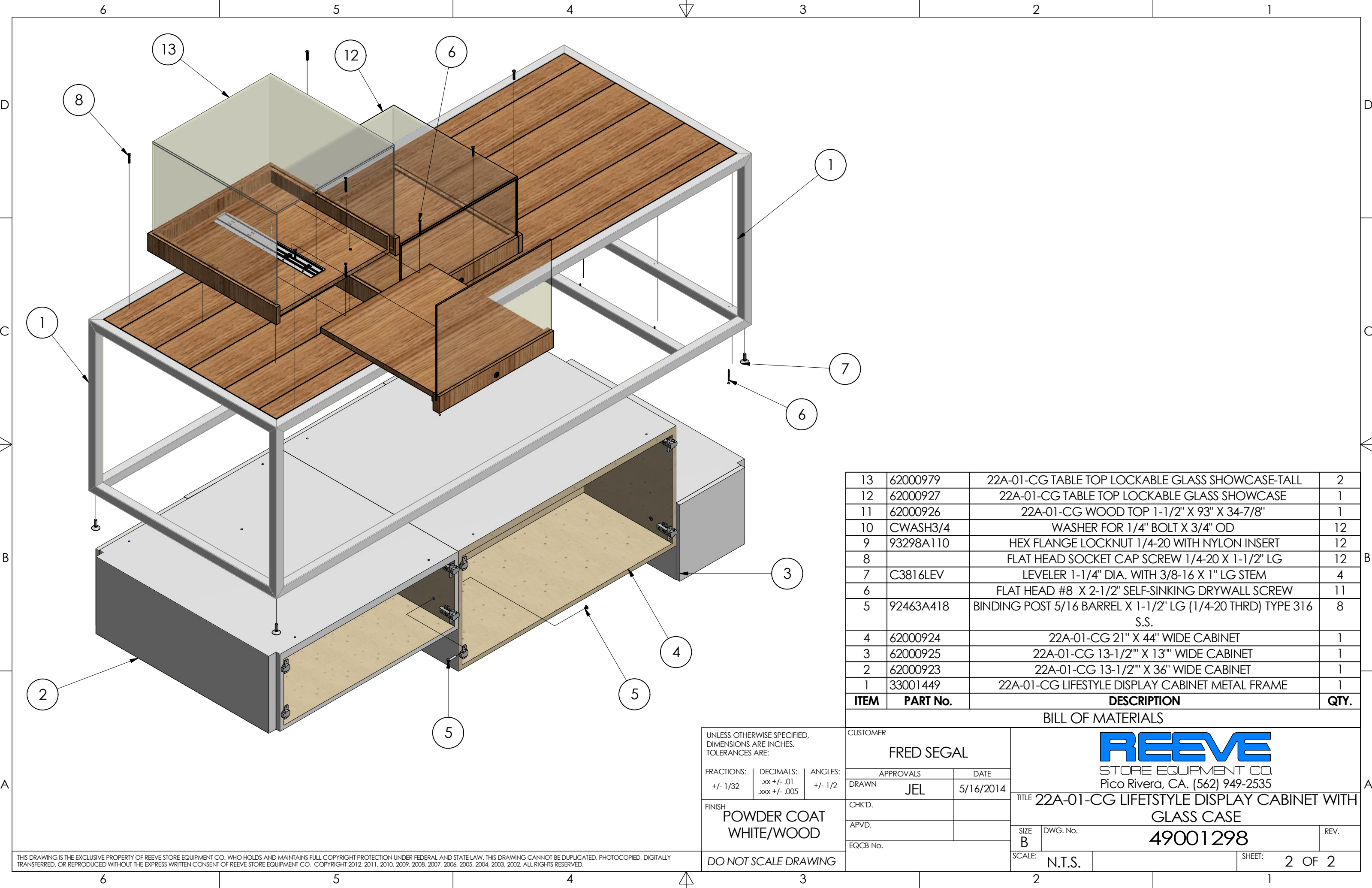


THIS DRAWING IS THE EXCLUSIVE PROPERTY OF REEVE STORE EQUIPMENT CO. WHO HOLDS AND MAINTAINS FULL COPYRIGHT PROTECTION UNDER FEDERAL AND STATE LAW. THIS DRAWING CANNOT BE DUPLICATED, PHOTOCOPIED, DIGITALLY TRANSFERRED, OR REPRODUCED WITHOUT THE EXPRESS WRITTEN CONSENT OF REEVE STORE EQUIPMENT CO. COPYRIGHT 2012, 2011, 2010, 2009, 2008, 2007, 2006, 2005, 2004, 2003, 2002. ALL RIGHTS RESERVED.

UNLESS OTHERWISE SPECIFIED, DIMENSIONS ARE INCHES. TOLERANCES ARE:			CUSTOMER FRED SEGAL		 Pico Rivera, CA. (562) 949-2535 22A-01-CG LIFESTYLE DISPLAY CABINET WITH GLASS CASE DWG. No. 49001298 REV.
FRACTIONS: +/- 1/32	DECIMALS: .xx +/- .01 .xxx +/- .005	ANGLES: +/- 1/2	APPROVALS	DATE	
FINISH POWDER COAT WHITE/WOOD			CHK'D.		
DO NOT SCALE DRAWING			APVD.		
			EQCB No.		SCALE: N.T.S.

SHEET: 1 OF 2	
----------------------	--

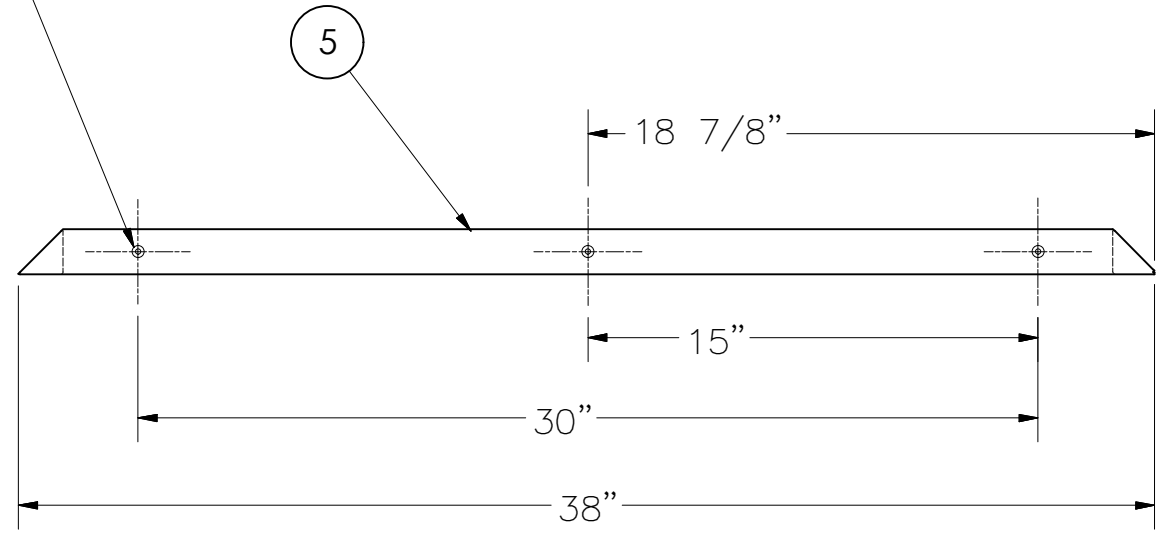
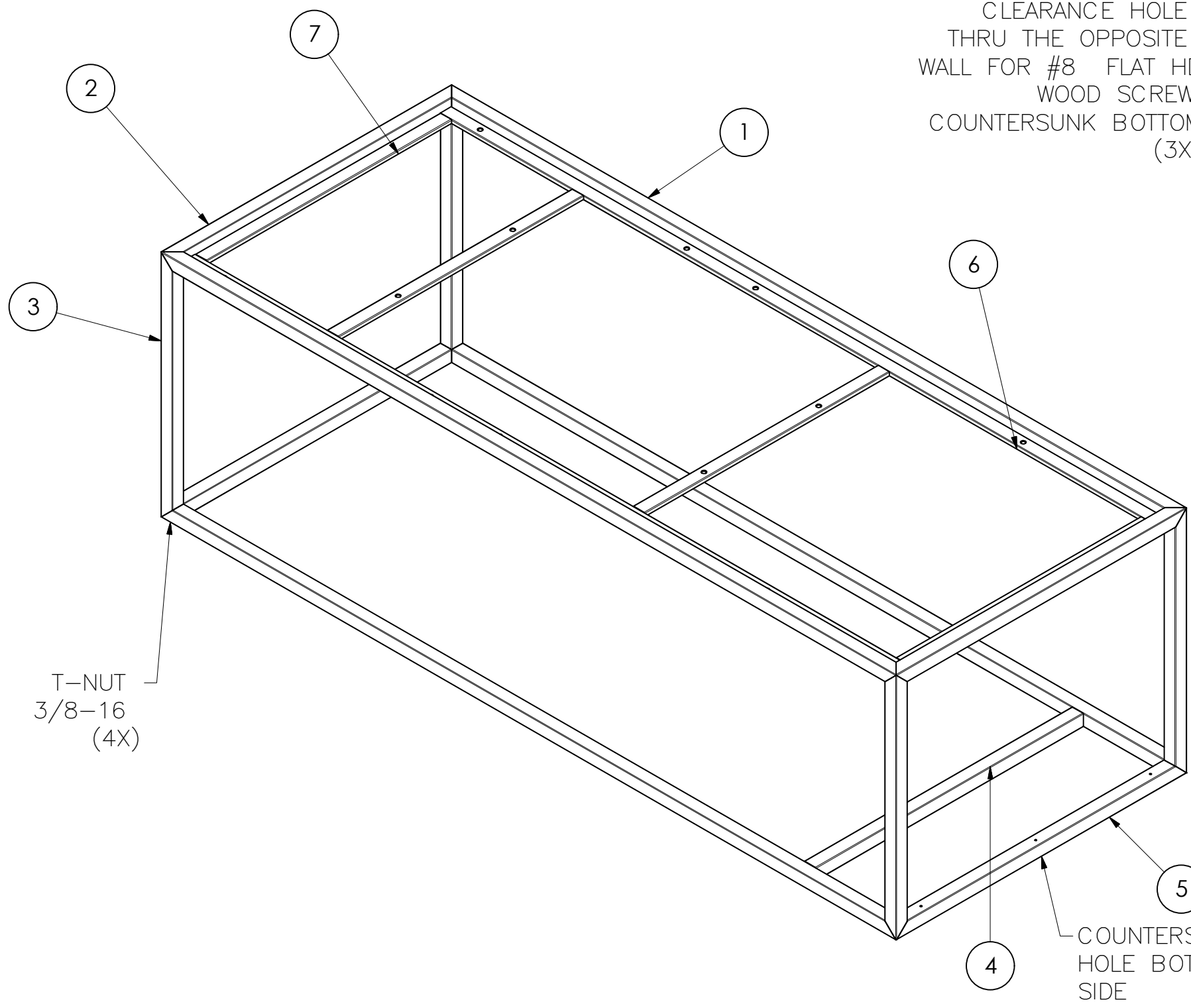


13	62000979	22A-01-CG TABLE TOP LOCKABLE GLASS SHOWCASE-TALL	2
12	62000927	22A-01-CG TABLE TOP LOCKABLE GLASS SHOWCASE	1
11	62000926	22A-01-CG WOOD TOP 1-1/2" X 93" X 34-7/8"	1
10	CWASH3/4	WASHER FOR 1/4" BOLT X 3/4" OD	12
9	93298A110	HEX FLANGE LOCKNUT 1/4-20 WITH NYLON INSERT	12
8		FLAT HEAD SOCKET CAP SCREW 1/4-20 X 1-1/2" LG	12
7	C3816LEV	LEVELER 1-1/4" DIA. WITH 3/8-16 X 1" LG STEM	4
6		FLAT HEAD #8 X 2-1/2" SELF-SINKING DRYWALL SCREW	11
5	92463A418	BINDING POST 5/16 BARREL X 1-1/2" LG (1/4-20 THRD) TYPE 316 S.S.	8
4	62000924	22A-01-CG 21" X 44" WIDE CABINET	1
3	62000925	22A-01-CG 13-1/2" X 13" WIDE CABINET	1
2	62000923	22A-01-CG 13-1/2" X 36" WIDE CABINET	1
1	33001449	22A-01-CG LIFESTYLE DISPLAY CABINET METAL FRAME	1
ITEM	PART No.	DESCRIPTION	QTY.

BILL OF MATERIALS

UNLESS OTHERWISE SPECIFIED, DIMENSIONS ARE INCHES. TOLERANCES ARE:		CUSTOMER		 Pico Rivera, CA. (562) 949-2535 22A-01-CG LIFESTYLE DISPLAY CABINET WITH GLASS CASE	
FRACTIONS: +/- 1/32		FRED SEGAL			
DECIMALS: .xx +/- .01 .xxx +/- .005		APPROVALS	DATE		
ANGLES: +/- 1/2		DRAWN JEL	5/16/2014		
FINISH		CHK'D.		TITLE	
POWDER COAT		APVD.		SIZE B	DWG. No.
WHITE/WOOD		EQCB No.		49001298	REV.
DO NOT SCALE DRAWING				SCALE: N.T.S.	SHEET: 2 OF 2

THIS DRAWING IS THE EXCLUSIVE PROPERTY OF REEVE STORE EQUIPMENT CO. WHO HOLDS AND MAINTAINS FULL COPYRIGHT PROTECTION UNDER FEDERAL AND STATE LAW. THIS DRAWING CANNOT BE DUPLICATED, PHOTOCOPIED, DIGITALLY TRANSFERRED, OR REPRODUCED WITHOUT THE EXPRESS WRITTEN CONSENT OF REEVE STORE EQUIPMENT CO. COPYRIGHT 2012, 2011, 2010, 2009, 2008, 2007, 2006, 2005, 2004, 2003, 2002. ALL RIGHTS RESERVED.



ITEM	PART No.	DESCRIPTION	QTY.
8		PLAIN STEEL TAB-BASE WELD NUT 3/8"-16 Thrd, 1" L X 5/8" W Base, 7/16" Barrel HT	4
7	R444	RECT. TUBE 1/2" X 1-1/2" 16GA. C.R.S.	4
6	R444	RECT. TUBE 1/2" X 1-1/2" 16GA. C.R.S.	2
5	R427	SQ. TUBE 1-1/2" 16GA. C.R.S.	1
4	R427	SQ. TUBE 1-1/2" 16GA. C.R.S.	1
3	R427	SQ. TUBE 1-1/2" 16GA. C.R.S.	4
2	R427	SQ. TUBE 1-1/2" 16GA. C.R.S.	3
1	R427	SQ. TUBE 1-1/2" 16GA. C.R.S.	4

BILL OF MATERIALS

UNLESS OTHERWISE SPECIFIED,
DIMENSIONS ARE INCHES.
TOLERANCES ARE:

FRACTIONS: +/- 1/32	DECIMALS: .xx +/- .01 .xxx +/- .005	ANGLES: +/- 1/2
------------------------	-------------------------------------------	--------------------

FINISH
**POWDER COAT
WHITE**

DO NOT SCALE DRAWING

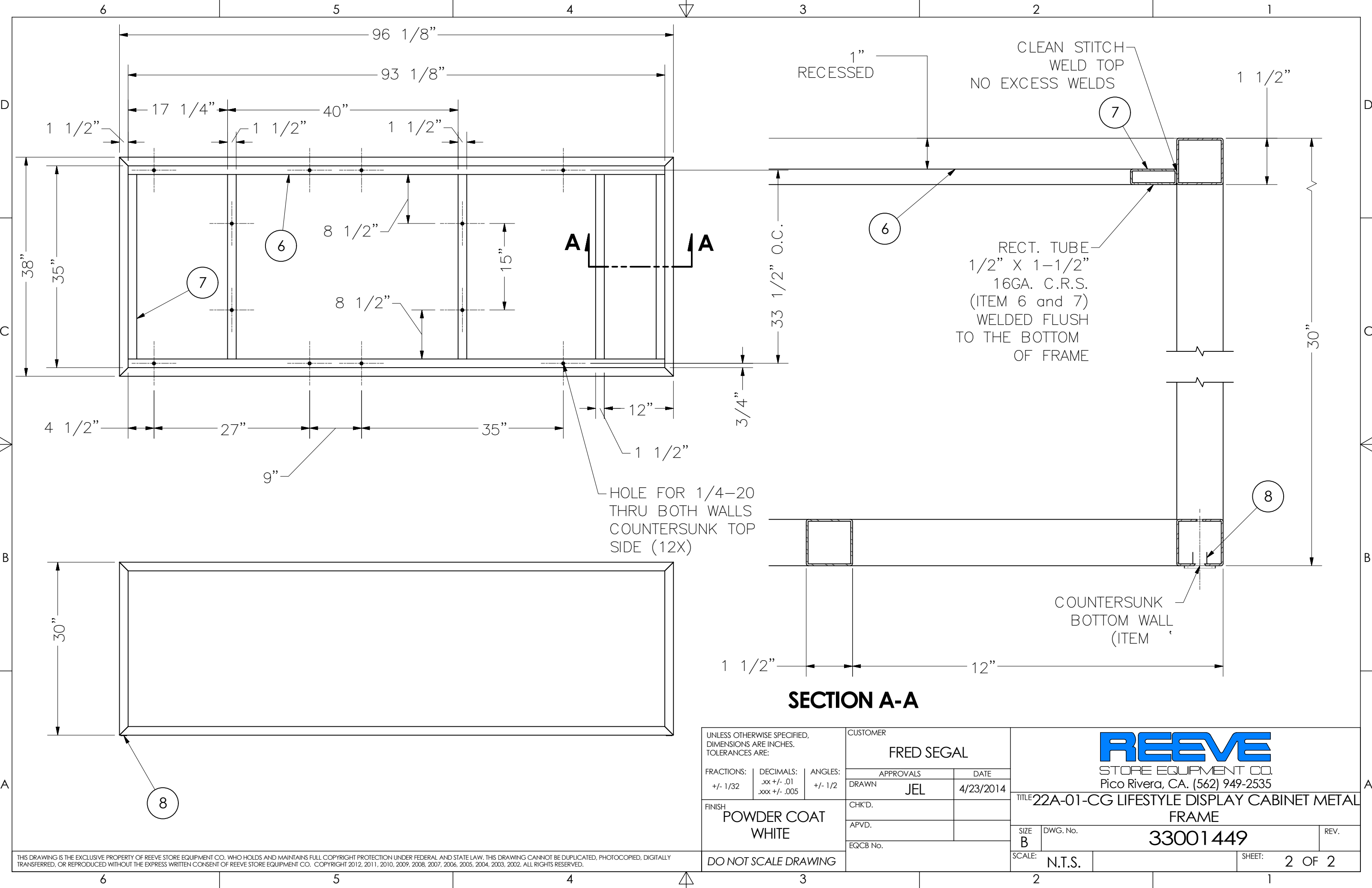
CUSTOMER
FRED SEGAL

APPROVALS	DATE
DRAWN JEL	4/23/2014
CHK'D.	
APVD.	
EQCB No.	

REEVE
STORE EQUIPMENT CO.
Pico Rivera, CA. (562) 949-2535

TITLE: **22A-01-CG LIFESTYLE DISPLAY CABINET METAL
FRAME**

SIZE B	DWG. No. 33001449	REV.
SCALE: N.T.S.	SHEET: 1 OF 2	



UNLESS OTHERWISE SPECIFIED, DIMENSIONS ARE INCHES. TOLERANCES ARE:			CUSTOMER FRED SEGAL	
FRACTIONS: +/- 1/32	DECIMALS: .xx +/- .01 .xxx +/- .005	ANGLES: +/- 1/2	APPROVALS	DATE
FINISH POWDER COAT WHITE			DRAWN JEL	4/23/2014
DO NOT SCALE DRAWING			CHK'D.	
			APVD.	
			EQCB No.	

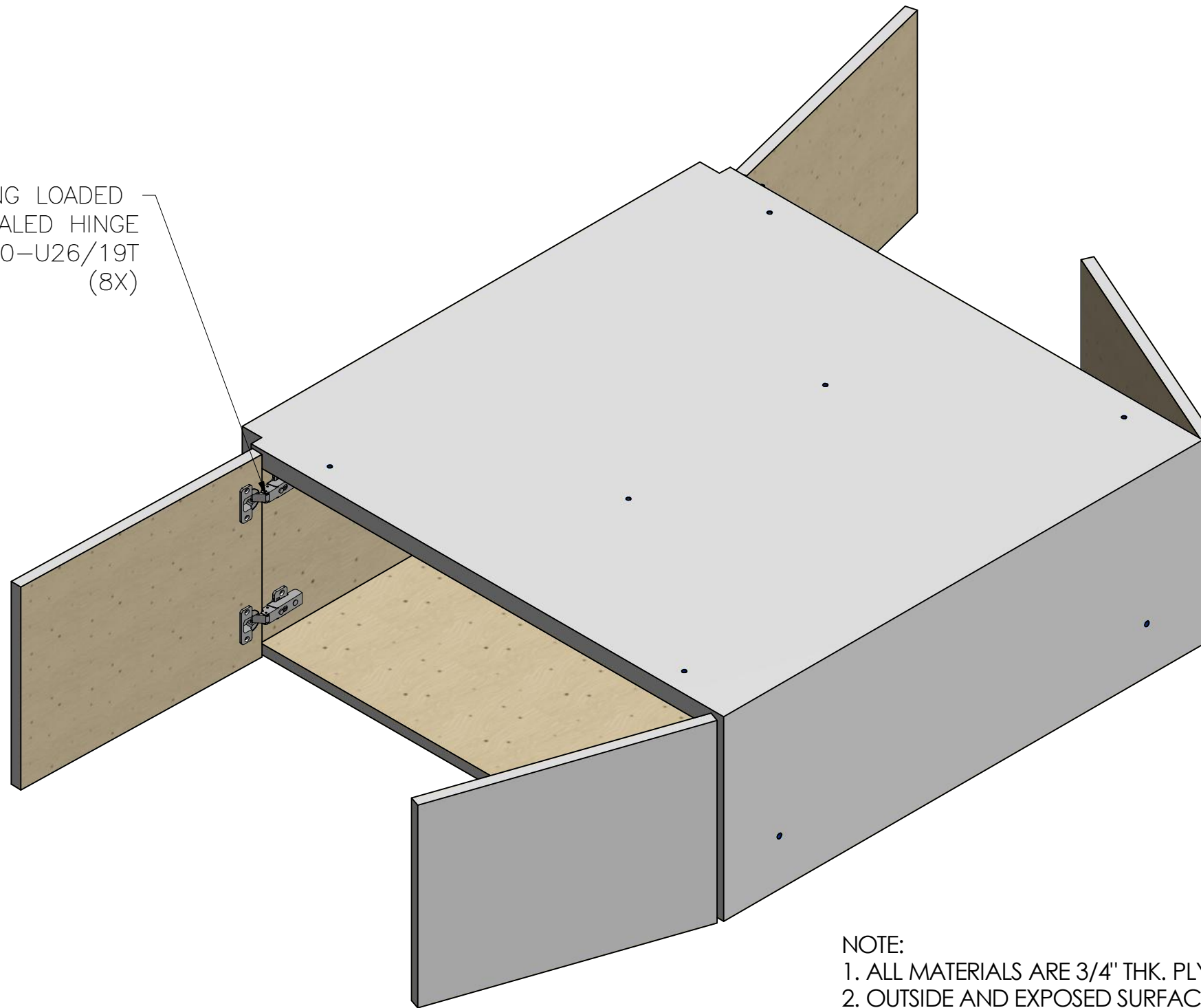
REEVE
STORE EQUIPMENT CO.
Pico Rivera, CA. (562) 949-2535

TITLE: **22A-01-CG LIFESTYLE DISPLAY CABINET METAL FRAME**

SIZE B	DWG. No. 33001449	REV.
SCALE: N.T.S.	SHEET: 2 OF 2	

THIS DRAWING IS THE EXCLUSIVE PROPERTY OF REEVE STORE EQUIPMENT CO. WHO HOLDS AND MAINTAINS FULL COPYRIGHT PROTECTION UNDER FEDERAL AND STATE LAW. THIS DRAWING CANNOT BE DUPLICATED, PHOTOCOPIED, DIGITALLY TRANSFERRED, OR REPRODUCED WITHOUT THE EXPRESS WRITTEN CONSENT OF REEVE STORE EQUIPMENT CO. COPYRIGHT 2012, 2011, 2010, 2009, 2008, 2007, 2006, 2005, 2004, 2003, 2002. ALL RIGHTS RESERVED.

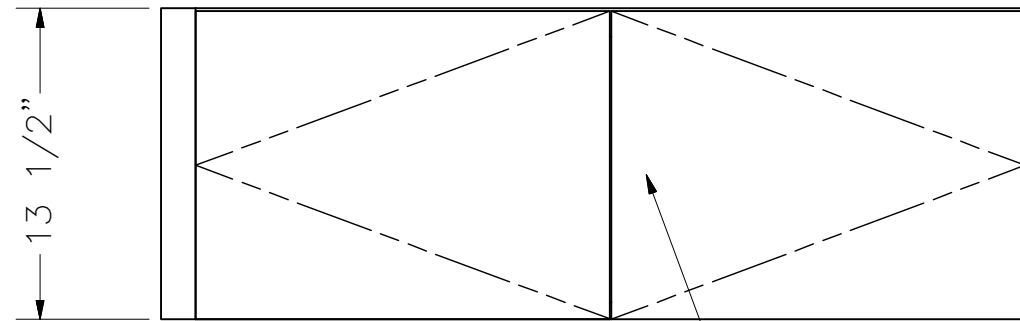
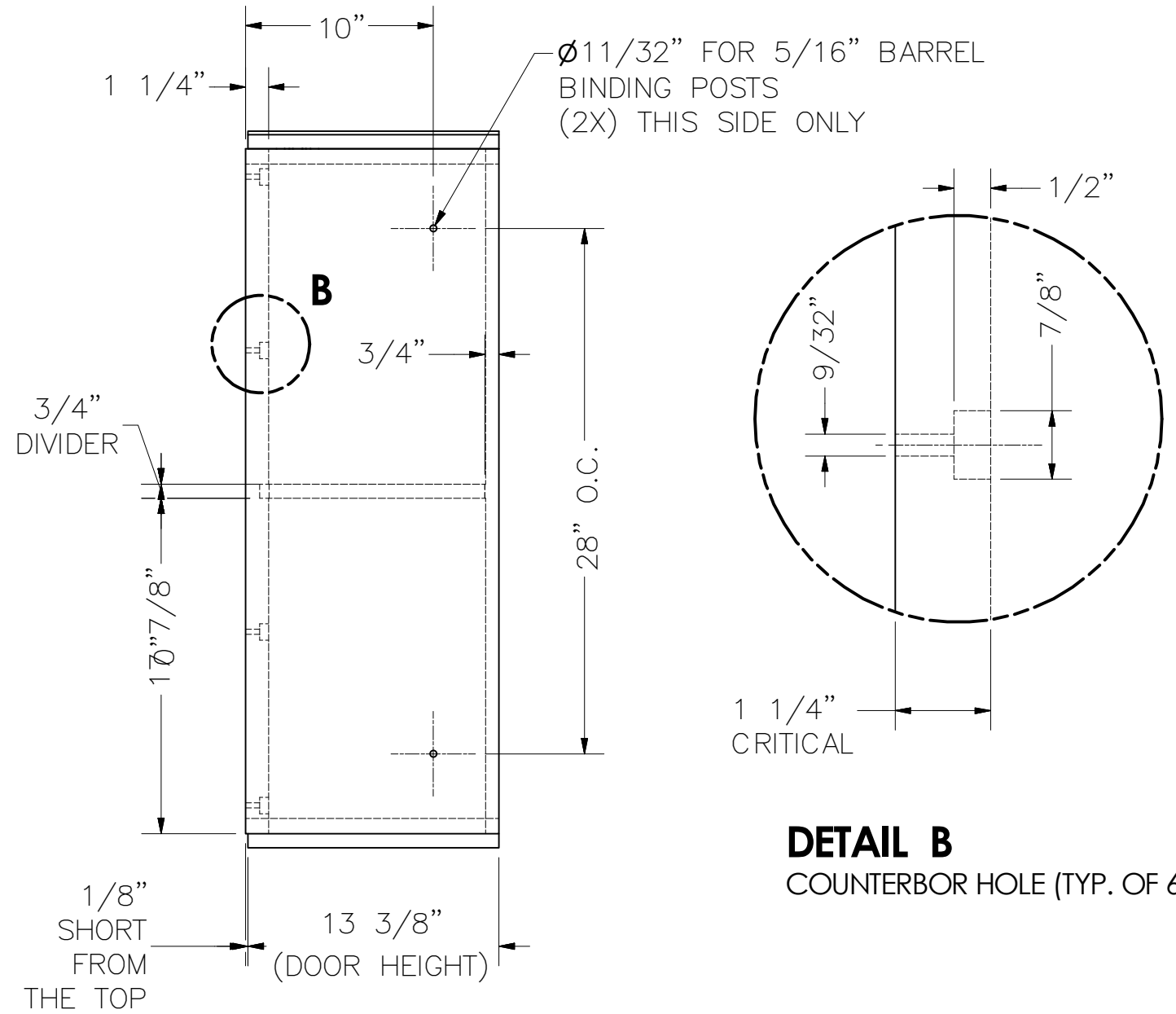
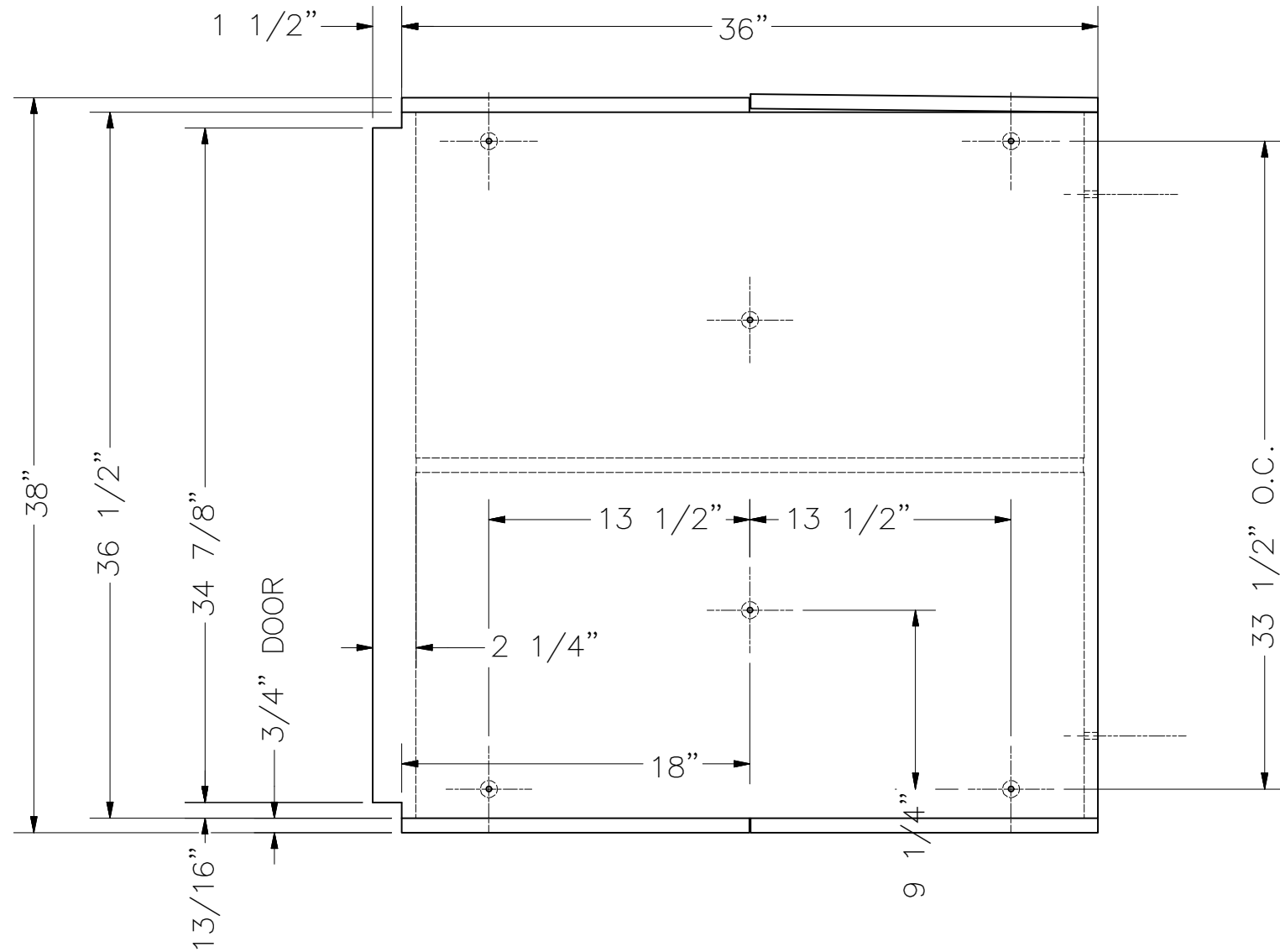
SPRING LOADED
CONCEALED HINGE
SUGATSUNE #230-U26/19T
(8X)



NOTE:

1. ALL MATERIALS ARE 3/4" THK. PLYWOOD TYPE B UNLESS OTHERWISE NOTED.
2. OUTSIDE AND EXPOSED SURFACES MUST BE LAMINATED WHITE TO MATCH BENJAMIN MOORE OC-65 CHANTILLY WHITE
3. INTERIOR FACES ARE NOT LAMINATED BUT CLEAR COATED

UNLESS OTHERWISE SPECIFIED, DIMENSIONS ARE INCHES. TOLERANCES ARE:			CUSTOMER		 STORE EQUIPMENT CO. Pico Rivera, CA. (562) 949-2535	
FRACTIONS: +/- 1/32	DECIMALS: .xx +/- .01 .xxx +/- .005	ANGLES: +/- 1/2	APPROVALS	DATE		
FINISH			DRAWN	JEL	4/23/2014	TITLE
			CHK'D.			22A-01-CG 13-1/2" X 36" WIDE CABINET
			APVD.			SIZE
			EQCB No.			B
DO NOT SCALE DRAWING						DWG. No.
						62000923
						SCALE:
						N.T.S.
						REV.
						SHEET:
						1 OF 2



TYPICAL DETAIL
OPPOSITE FACES

DOOR WITH SPRING LOADED CONCEALED HINGE (SUGATSUNE #230-U26/19T)

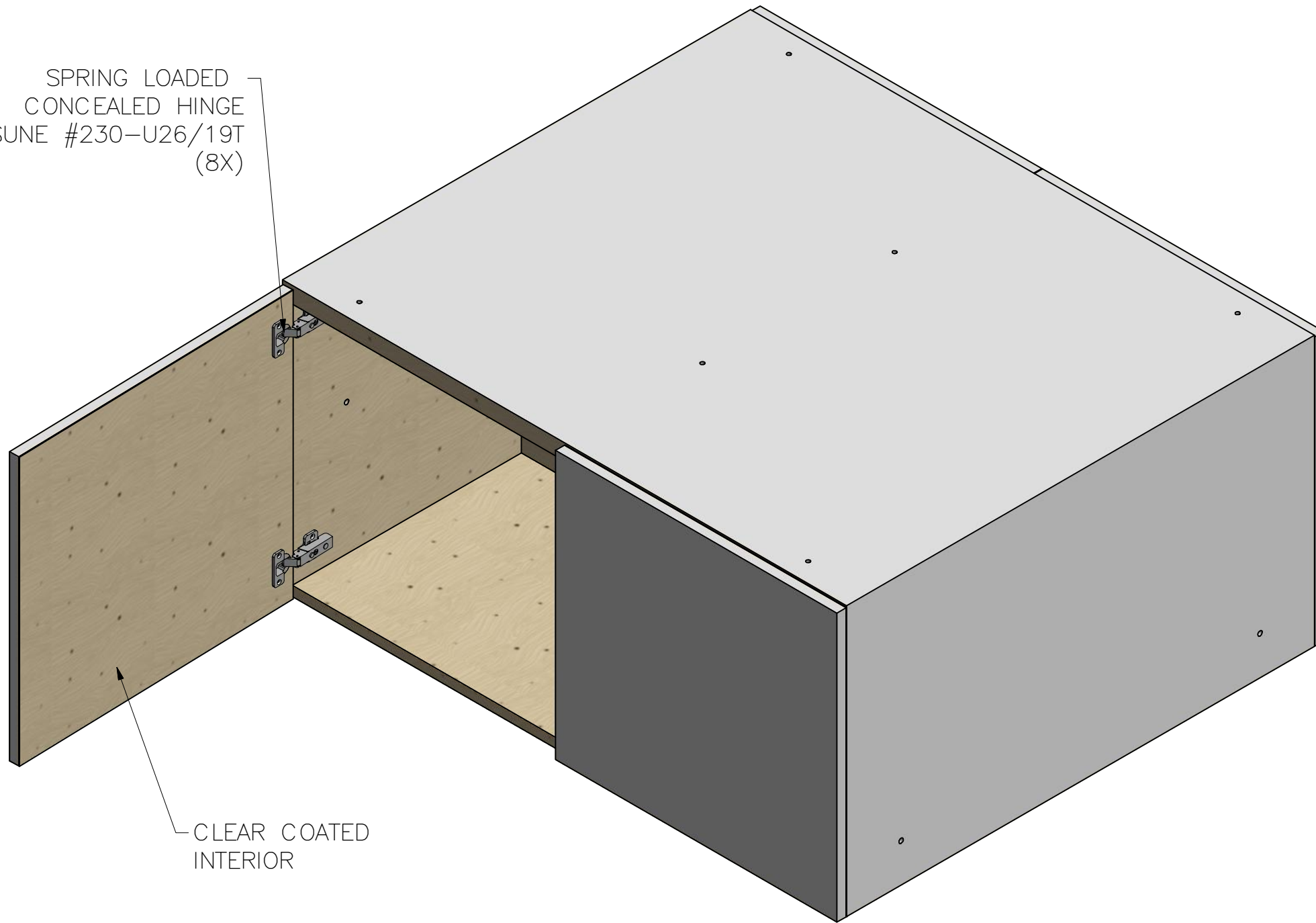
NOTE:

1. ALL MATERIALS ARE 3/4" THK. PLYWOOD TYPE B UNLESS OTHERWISE NOTED.
2. OUTSIDE AND EXPOSED SURFACES MUST BE LAMINATED WHITE TO MATCH BENJAMIN MOORE OC-65 CHANTILLY WHITE
3. INTERIOR FACES ARE NOT LAMINATED BUT CLEAR COATED

UNLESS OTHERWISE SPECIFIED, DIMENSIONS ARE INCHES. TOLERANCES ARE: FRACTIONS: +/- 1/32 DECIMALS: .xx +/- .01 .xxx +/- .005 ANGLES: +/- 1/2	CUSTOMER		 Pico Rivera, CA. (562) 949-2535	
	APPROVALS	DATE		
FINISH	DRAWN	JEL	4/23/2014	TITLE
	CHK'D.			22A-01-CG 13-1/2" X 36" WIDE CABINET
	APVD.			SIZE B
	EQCB No.			DWG. No. 62000923
DO NOT SCALE DRAWING				SCALE: N.T.S.
				SHEET: 2 OF 2

SPRING LOADED
CONCEALED HINGE
SUGATSUNE #230-U26/19T
(8X)

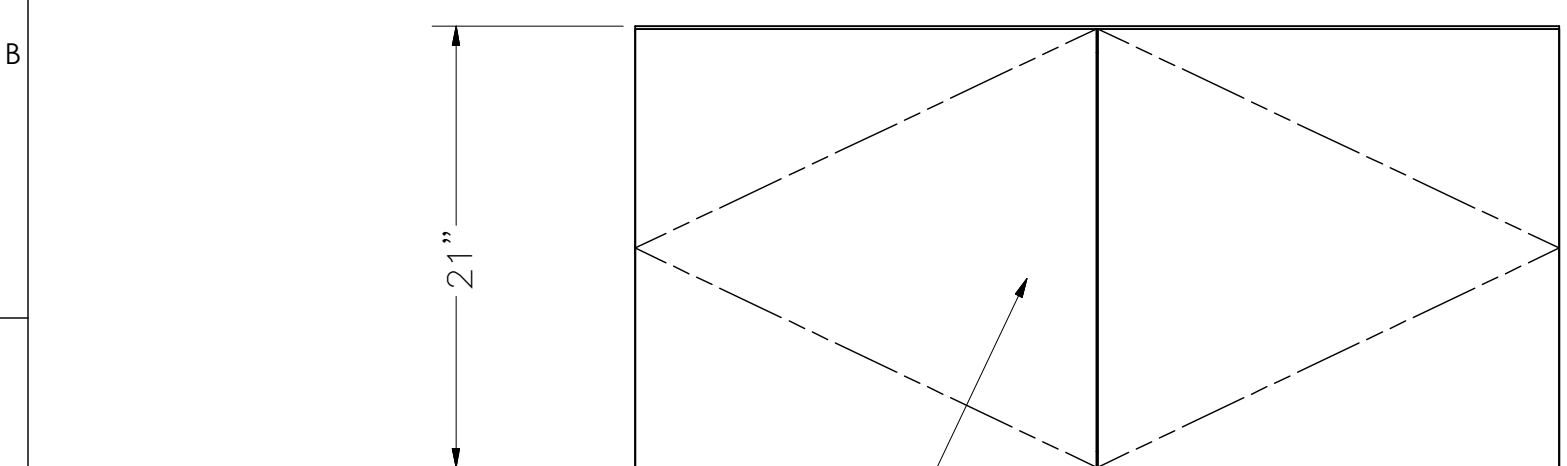
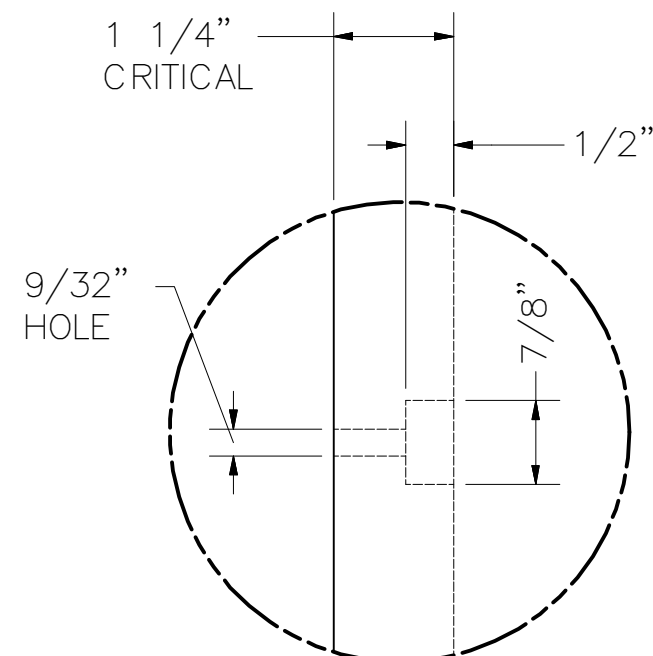
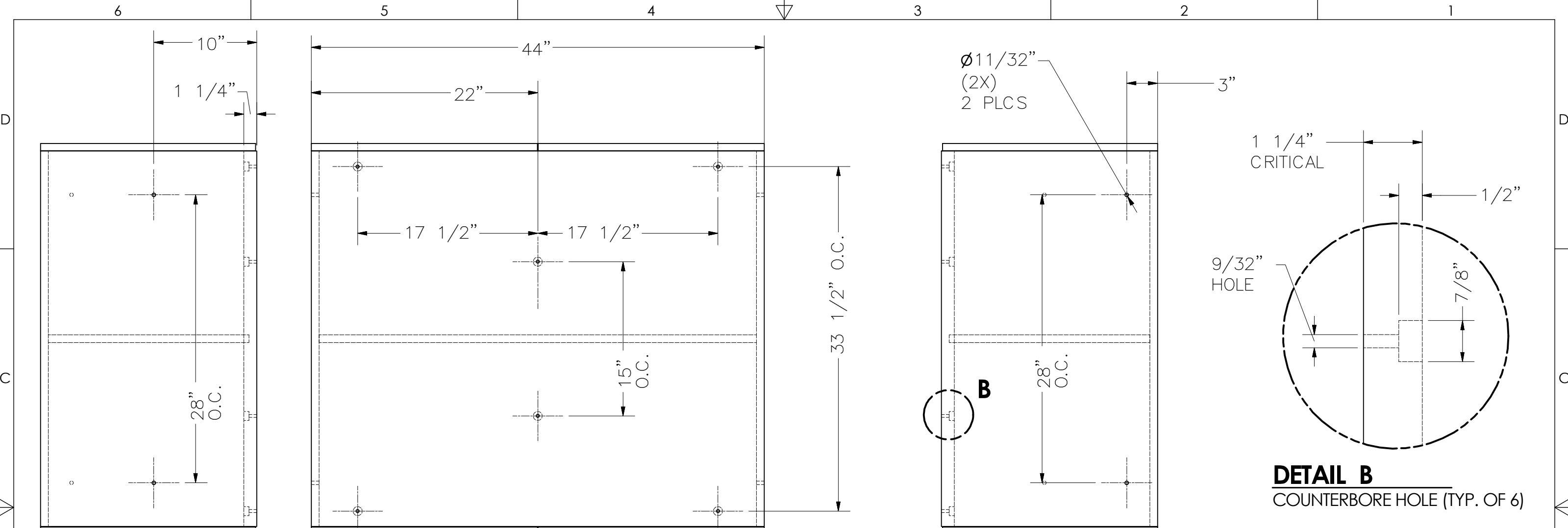
CLEAR COATED
INTERIOR



NOTE:

1. ALL MATERIALS ARE 3/4" THK. PLYWOOD TYPE B UNLESS OTHERWISE NOTED.
2. OUTSIDE AND EXPOSED SURFACES MUST BE LAMINATED WHITE TO MATCH BENJAMIN MOORE OC-65 CHANTILLY WHITE
3. INTERIOR FACES ARE NOT LAMINATED BUT CLEAR COATED

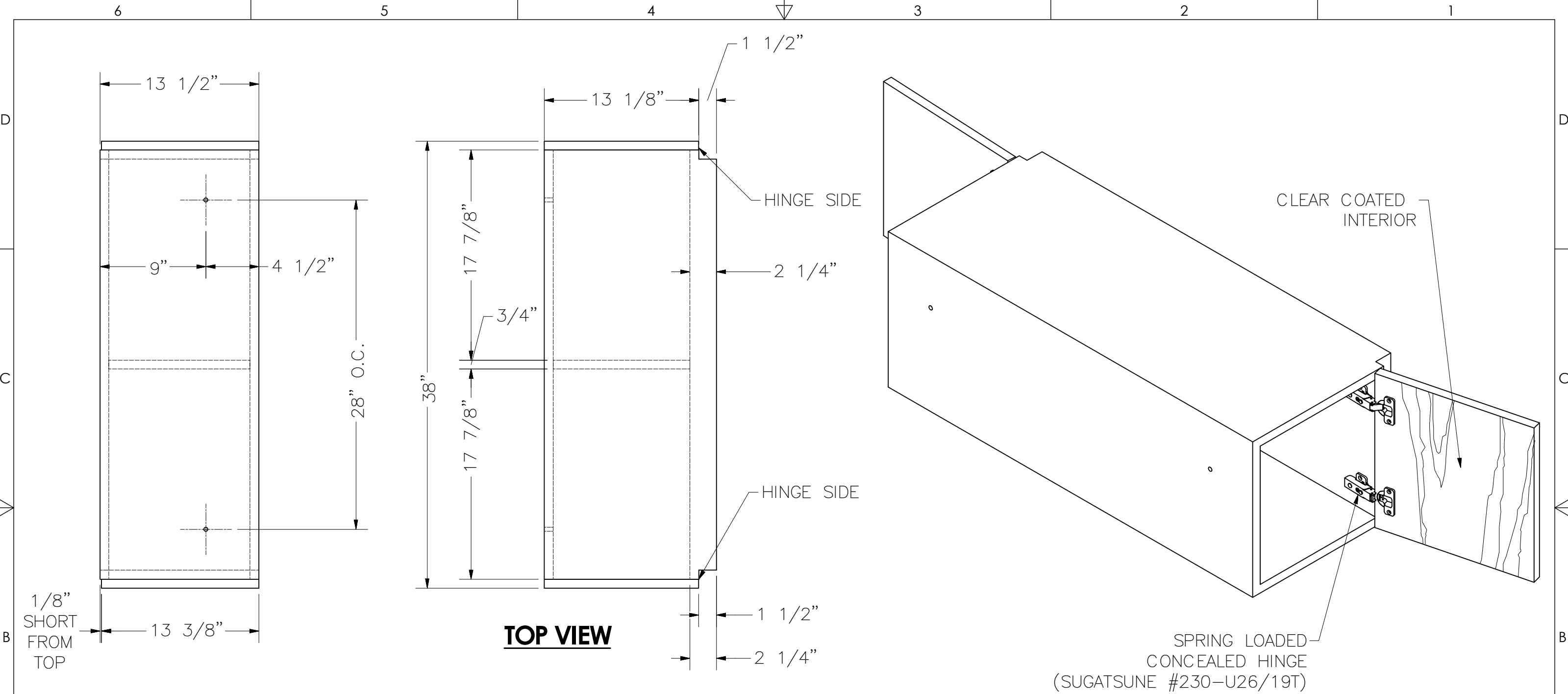
UNLESS OTHERWISE SPECIFIED, DIMENSIONS ARE INCHES. TOLERANCES ARE:			CUSTOMER		 STORE EQUIPMENT CO. Pico Rivera, CA. (562) 949-2535
FRACTIONS: +/- 1/32	DECIMALS: .xx +/- .01 .xxx +/- .005	ANGLES: +/- 1/2	APPROVALS	DATE	
FINISH			DRAWN JEL	4/23/2014	TITLE 22A-01-CG 21" X 44" WIDE CABINET
			CHK'D.		SIZE B
			APVD.		DWG. No. 62000924
			EQCB No.		REV.
DO NOT SCALE DRAWING			SCALE: N.T.S.		SHEET: 1 OF 2



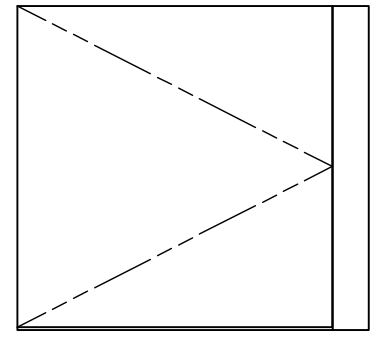
DOOR WITH
SPRING LOADED
CONCEALED HINGE
(SUGATSUNE #230-U26/19T)

- NOTE:
1. ALL MATERIALS ARE 3/4" THK. PLYWOOD TYPE B UNLESS OTHERWISE NOTED.
 2. OUTSIDE AND EXPOSED SURFACES MUST BE LAMINATED WHITE TO MATCH BENJAMIN MOORE OC-65 CHANTILLY WHITE
 3. INTERIOR FACES ARE NOT LAMINATED BUT CLEAR COATED

UNLESS OTHERWISE SPECIFIED, DIMENSIONS ARE INCHES. TOLERANCES ARE:			CUSTOMER		 Pico Rivera, CA. (562) 949-2535	
FRACTIONS: +/- 1/32	DECIMALS: .xx +/- .01 .xxx +/- .005	ANGLES: +/- 1/2	APPROVALS	DATE		
FINISH			DRAWN JEL	4/23/2014	TITLE 22A-01-CG 21" X 44" WIDE CABINET	
			CHK'D.		SIZE B	DWG. No. 62000924
			APVD.		SCALE: N.T.S.	REV.
			EQCB No.		SHEET: 2 OF 2	
DO NOT SCALE DRAWING						



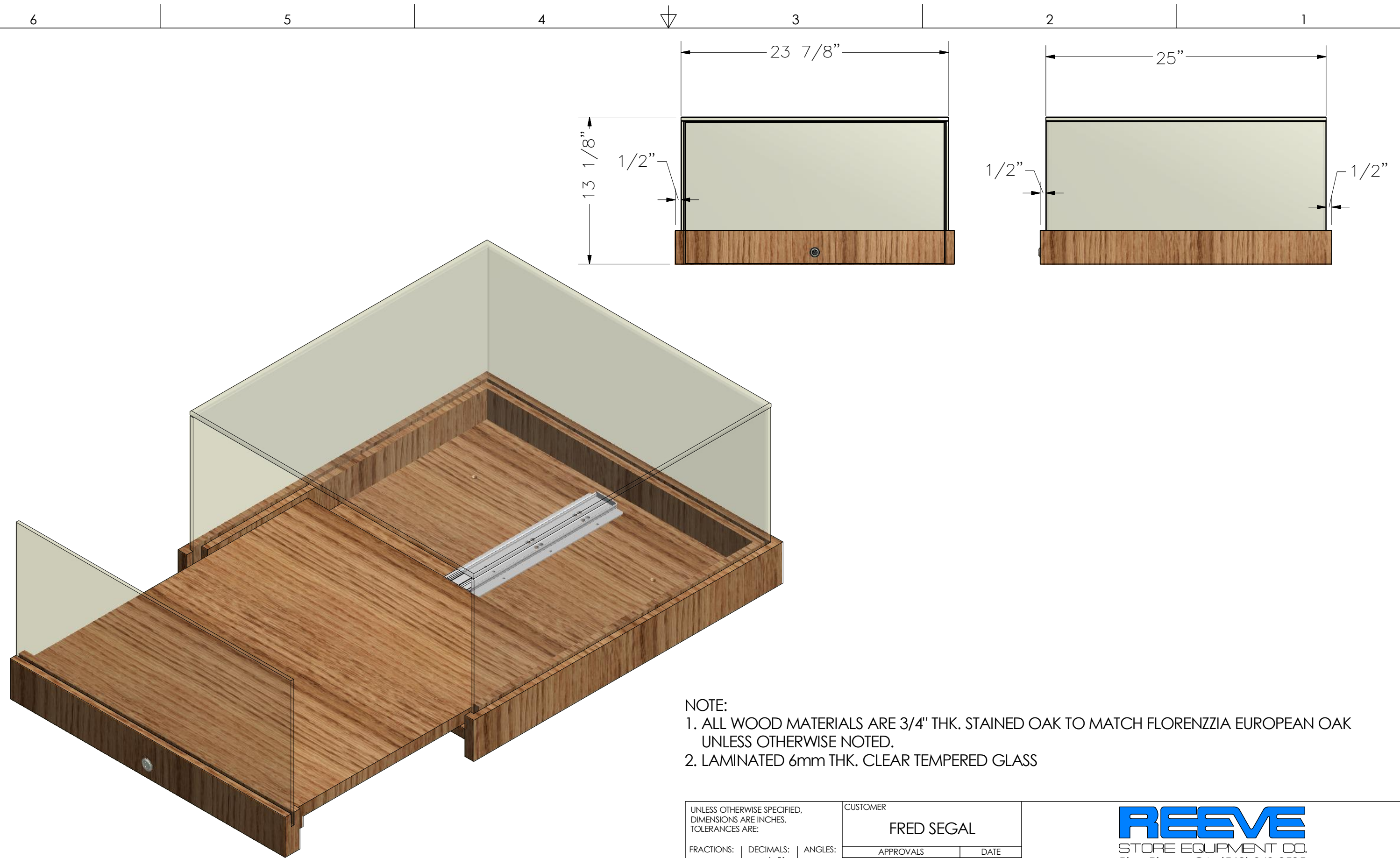
TOP VIEW



TYPICAL DETAIL
OPPOSITE FACES

- NOTE:**
1. ALL MATERIALS ARE 3/4" THK. PLYWOOD TYPE B UNLESS OTHERWISE NOTED.
 2. OUTSIDE AND EXPOSED SURFACES MUST BE LAMINATED WHITE TO MATCH BENJAMIN MOORE OC-65 CHANTILLY WHITE
 3. INTERIOR FACES ARE NOT LAMINATED BUT CLEAR COATED

UNLESS OTHERWISE SPECIFIED, DIMENSIONS ARE INCHES. TOLERANCES ARE:			CUSTOMER		 STORE EQUIPMENT CO. Pico Rivera, CA. (562) 949-2535
FRACTIONS: +/- 1/32	DECIMALS: .xx +/- .01 .xxx +/- .005	ANGLES: +/- 1/2	APPROVALS	DATE	
FINISH			DRAWN JEL	4/23/2014	TITLE 22A-01-CG 13-1/2" X 13" WIDE CABINET
			CHK'D.		SIZE B
			APVD.		DWG. No. 62000925
			EQCB No.		SCALE N.T.S.
DO NOT SCALE DRAWING					SHEET 1 OF 1



NOTE:

1. ALL WOOD MATERIALS ARE 3/4" THK. STAINED OAK TO MATCH FLORENZZIA EUROPEAN OAK UNLESS OTHERWISE NOTED.
2. LAMINATED 6mm THK. CLEAR TEMPERED GLASS

UNLESS OTHERWISE SPECIFIED, DIMENSIONS ARE INCHES. TOLERANCES ARE:			CUSTOMER FRED SEGAL		 STORE EQUIPMENT CO. Pico Rivera, CA. (562) 949-2535
FRACTIONS: +/- 1/32	DECIMALS: .xx +/- .01 .xxx +/- .005	ANGLES: +/- 1/2	APPROVALS	DATE	
FINISH			DRAWN JEL	4/24/2014	
			CHK'D.		
			APVD.		TITLE 22A-01-CG TABLE TOP LOCKABLE GLASS SHOWCASE
			EQCB No.		SIZE B
			DO NOT SCALE DRAWING		DWG. No. 62000927
					REV.
					SCALE: N.T.S.
					SHEET: 1 OF 3



UNLESS OTHERWISE SPECIFIED, DIMENSIONS ARE INCHES. TOLERANCES ARE:

FRACTIONS:	DECIMALS:	ANGLES:
+/- 1/32	.xx +/- .01 .xxx +/- .005	+/- 1/2

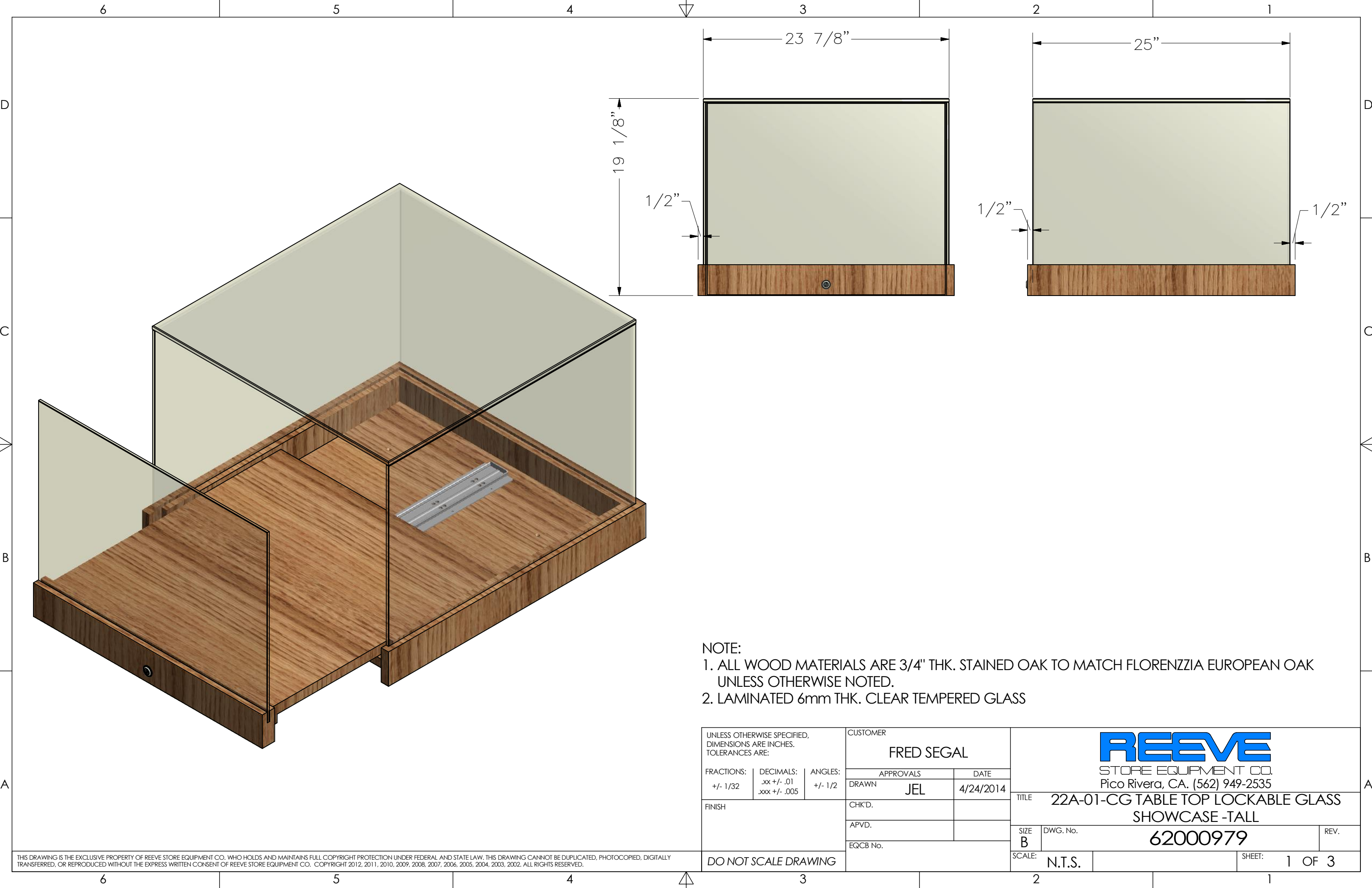
FINISH

DO NOT SCALE DRAWING

CUSTOMER	
FRED SEGAL	
APPROVALS	DATE
DRAWN JEL	4/24/2014
CHK'D.	
APVD.	
EQCB No.	

 Pico Rivera, CA. (562) 949-2535		TITLE	22A-01-CG TABLE TOP LOCKABLE GLASS SHOWCASE
		SIZE B	DWG. No. 62000927
SCALE:	N.T.S.	SHEET:	2 OF 3

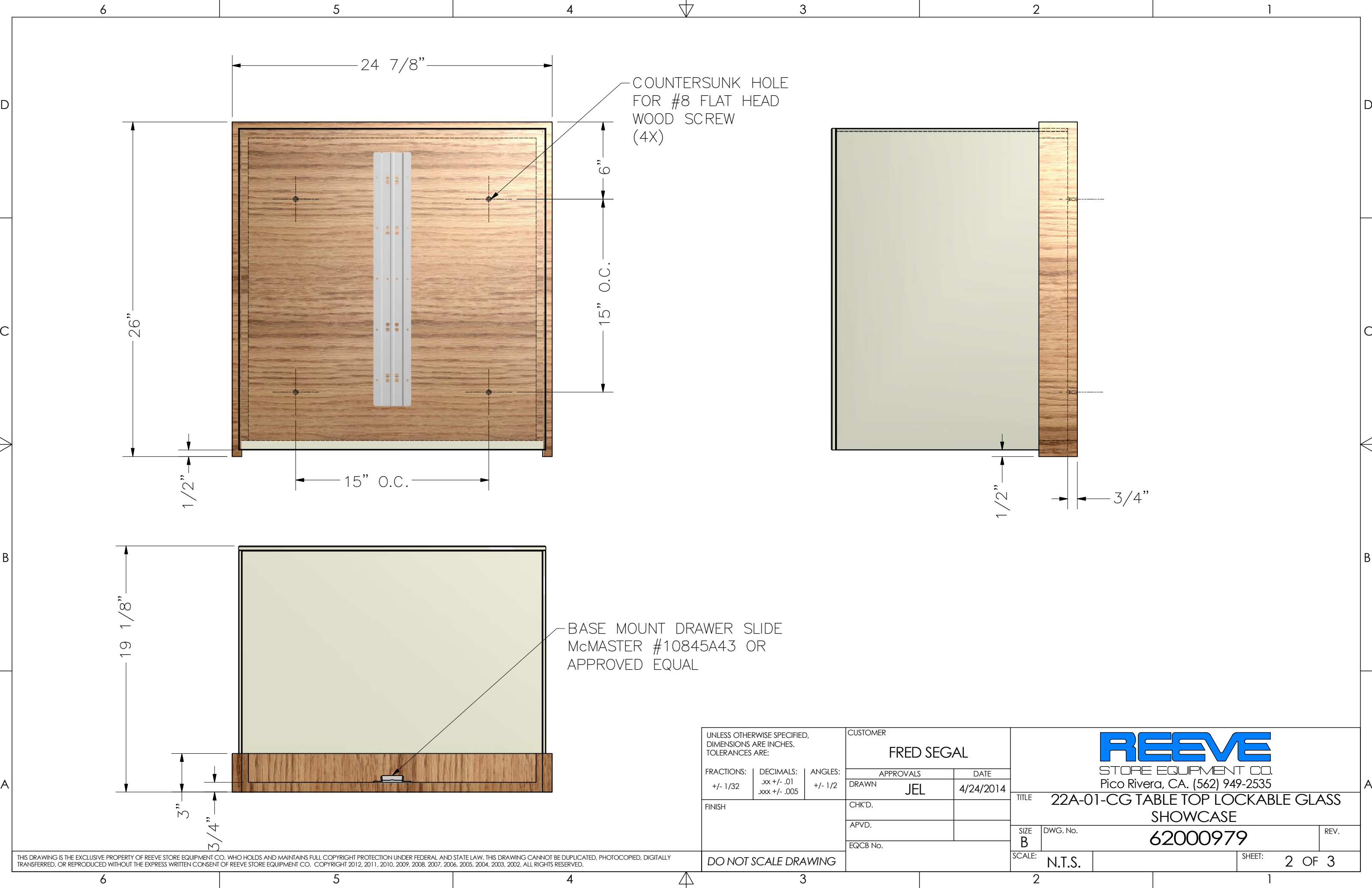
THIS DRAWING IS THE EXCLUSIVE PROPERTY OF REEVE STORE EQUIPMENT CO. WHO HOLDS AND MAINTAINS FULL COPYRIGHT PROTECTION UNDER FEDERAL AND STATE LAW. THIS DRAWING CANNOT BE DUPLICATED, PHOTOCOPIED, DIGITALLY TRANSFERRED, OR REPRODUCED WITHOUT THE EXPRESS WRITTEN CONSENT OF REEVE STORE EQUIPMENT CO. COPYRIGHT 2012, 2011, 2010, 2009, 2008, 2007, 2006, 2005, 2004, 2003, 2002. ALL RIGHTS RESERVED.



- NOTE:
1. ALL WOOD MATERIALS ARE 3/4" THK. STAINED OAK TO MATCH FLORENZZIA EUROPEAN OAK UNLESS OTHERWISE NOTED.
 2. LAMINATED 6mm THK. CLEAR TEMPERED GLASS

UNLESS OTHERWISE SPECIFIED, DIMENSIONS ARE INCHES. TOLERANCES ARE:			CUSTOMER FRED SEGAL		 STORE EQUIPMENT CO. Pico Rivera, CA. (562) 949-2535
FRACTIONS: +/- 1/32	DECIMALS: .xx +/- .01 .xxx +/- .005	ANGLES: +/- 1/2	APPROVALS	DATE	
FINISH			DRAWN JEL	4/24/2014	TITLE 22A-01-CG TABLE TOP LOCKABLE GLASS SHOWCASE -TALL
			CHK'D.		SIZE B
			APVD.		DWG. No. 62000979
			EQCB No.		REV.
DO NOT SCALE DRAWING			SCALE: N.T.S.		SHEET: 1 OF 3

THIS DRAWING IS THE EXCLUSIVE PROPERTY OF REEVE STORE EQUIPMENT CO. WHO HOLDS AND MAINTAINS FULL COPYRIGHT PROTECTION UNDER FEDERAL AND STATE LAW. THIS DRAWING CANNOT BE DUPLICATED, PHOTOCOPIED, DIGITALLY TRANSFERRED, OR REPRODUCED WITHOUT THE EXPRESS WRITTEN CONSENT OF REEVE STORE EQUIPMENT CO. COPYRIGHT 2012, 2011, 2010, 2009, 2008, 2007, 2006, 2005, 2004, 2003, 2002. ALL RIGHTS RESERVED.



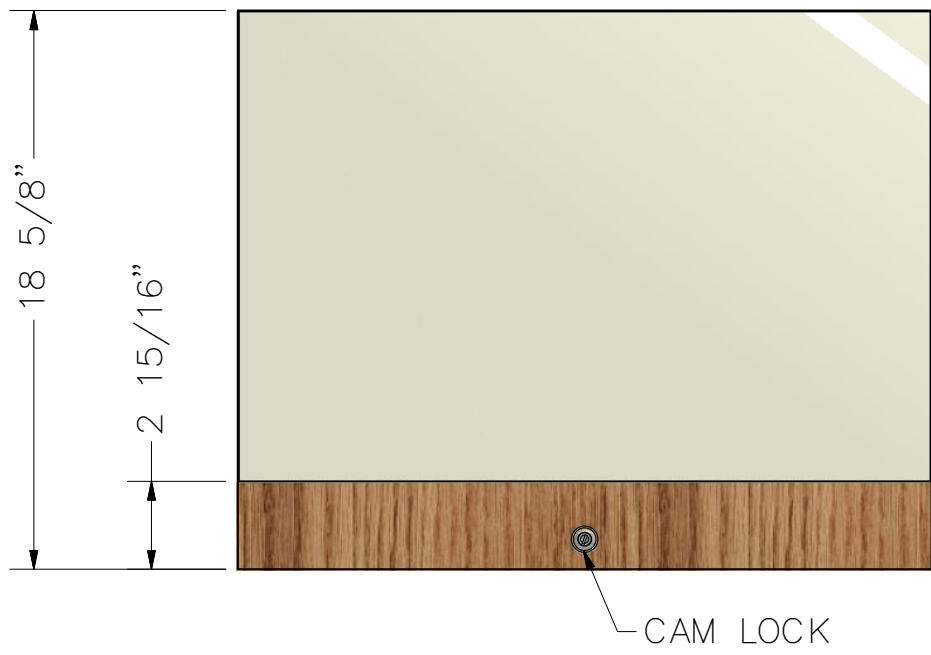
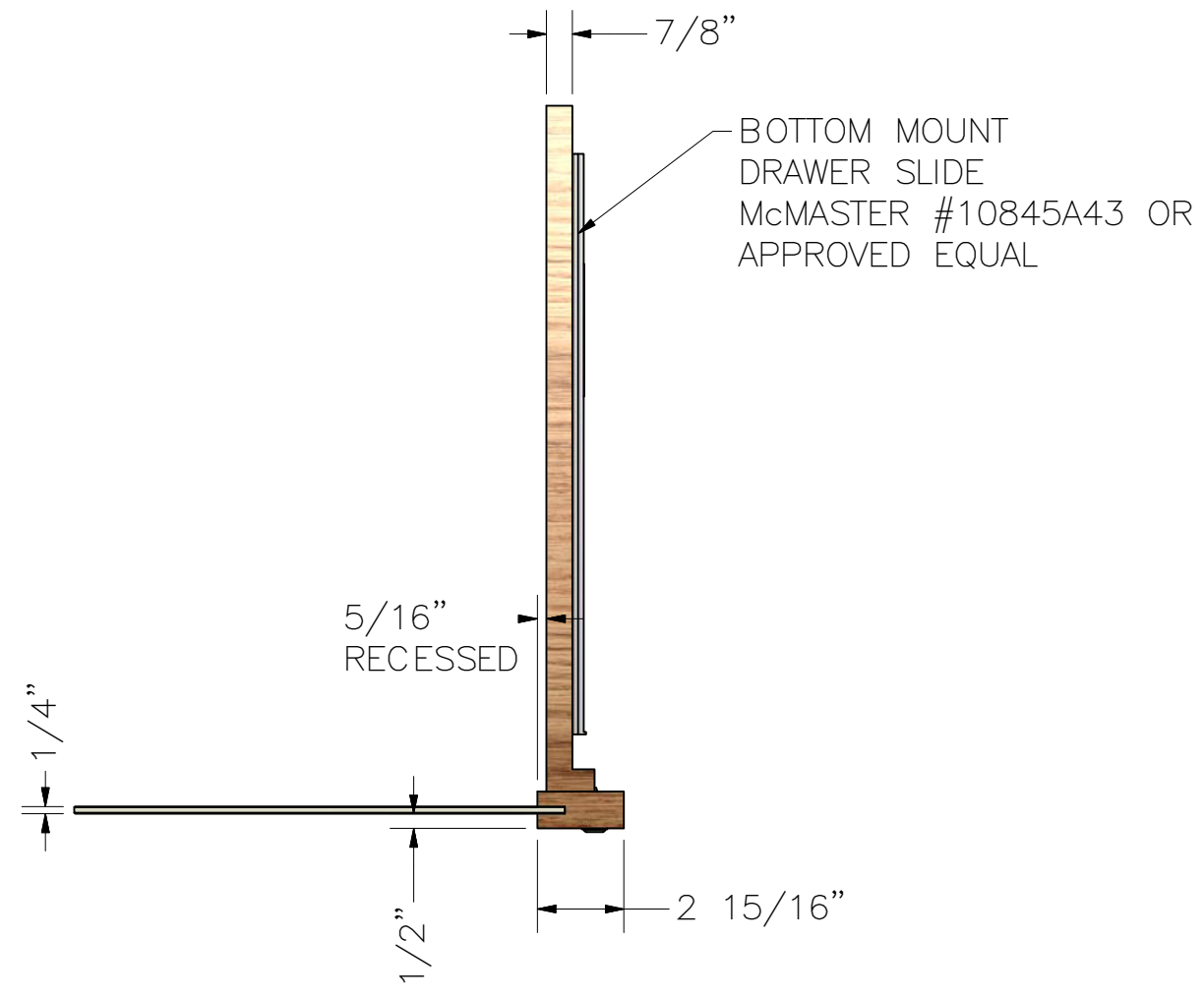
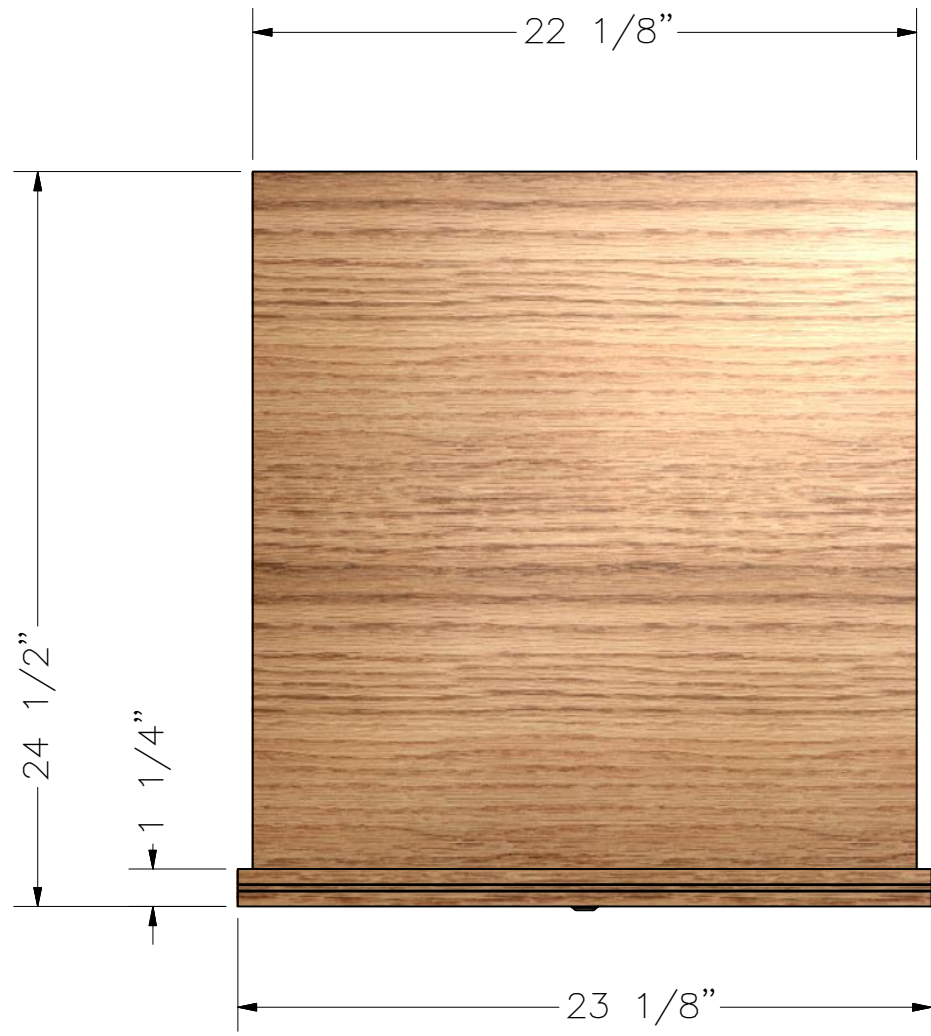
COUNTERSUNK HOLE
FOR #8 FLAT HEAD
WOOD SCREW
(4X)

BASE MOUNT DRAWER SLIDE
McMASTER #10845A43 OR
APPROVED EQUAL

UNLESS OTHERWISE SPECIFIED, DIMENSIONS ARE INCHES. TOLERANCES ARE:			CUSTOMER FRED SEGAL	
FRACTIONS: +/- 1/32	DECIMALS: .xx +/- .01 .xxx +/- .005	ANGLES: +/- 1/2	APPROVALS	DATE
FINISH			DRAWN JEL	4/24/2014
DO NOT SCALE DRAWING			CHK'D.	
			APVD.	
			EQCB No.	

 Pico Rivera, CA. (562) 949-2535			TITLE	22A-01-CG TABLE TOP LOCKABLE GLASS SHOWCASE	
			SIZE B	DWG. No.	62000979
SCALE:	N.T.S.		SHEET:	2 OF 3	

THIS DRAWING IS THE EXCLUSIVE PROPERTY OF REEVE STORE EQUIPMENT CO. WHO HOLDS AND MAINTAINS FULL COPYRIGHT PROTECTION UNDER FEDERAL AND STATE LAW. THIS DRAWING CANNOT BE DUPLICATED, PHOTOCOPIED, DIGITALLY TRANSFERRED, OR REPRODUCED WITHOUT THE EXPRESS WRITTEN CONSENT OF REEVE STORE EQUIPMENT CO. COPYRIGHT 2012, 2011, 2010, 2009, 2008, 2007, 2006, 2005, 2004, 2003, 2002. ALL RIGHTS RESERVED.



UNLESS OTHERWISE SPECIFIED,
DIMENSIONS ARE INCHES.
TOLERANCES ARE:

FRACTIONS: +/- 1/32	DECIMALS: .xx +/- .01 .xxx +/- .005	ANGLES: +/- 1/2
------------------------	-------------------------------------------	--------------------

FINISH

DO NOT SCALE DRAWING

CUSTOMER FRED SEGAL	
APPROVALS	DATE
DRAWN JEL	4/24/2014
CHK'D.	
APVD.	
EQCB No.	

 Pico Rivera, CA. (562) 949-2535		TITLE	22A-01-CG TABLE TOP LOCKABLE GLASS SHOWCASE	
		SIZE B	DWG. No. 62000979	REV.
SCALE: N.T.S.	SHEET:		3 OF 3	

THIS DRAWING IS THE EXCLUSIVE PROPERTY OF REEVE STORE EQUIPMENT CO. WHO HOLDS AND MAINTAINS FULL COPYRIGHT PROTECTION UNDER FEDERAL AND STATE LAW. THIS DRAWING CANNOT BE DUPLICATED, PHOTOCOPIED, DIGITALLY TRANSFERRED, OR REPRODUCED WITHOUT THE EXPRESS WRITTEN CONSENT OF REEVE STORE EQUIPMENT CO. COPYRIGHT 2012, 2011, 2010, 2009, 2008, 2007, 2006, 2005, 2004, 2003, 2002. ALL RIGHTS RESERVED.