

UNLESS OTHERWISE SPECIFIED,
DIMENSIONS ARE INCHES.
TOLERANCES ARE:

FRACTIONS: +/- 1/32	DECIMALS: .xx +/- .01 .xxx +/- .005	ANGLES: +/- 1/2
------------------------	---	--------------------

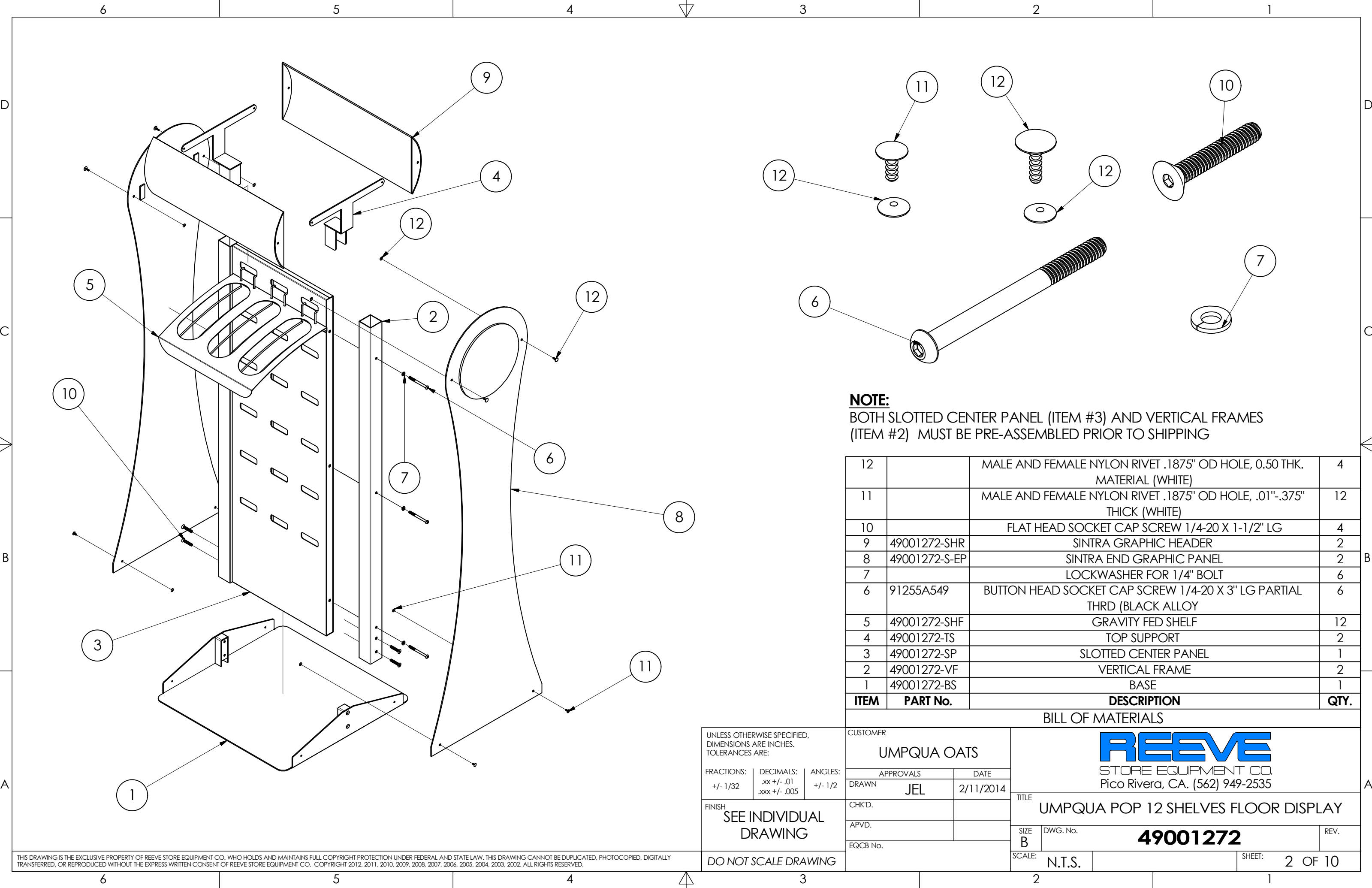
FINISH
**SEE INDIVIDUAL
DRAWING**

DO NOT SCALE DRAWING

CUSTOMER UMPQUA OATS	
APPROVALS	DATE
DRAWN JEL	2/11/2014
CHK'D.	
APVD.	
EQCB No.	

 Pico Rivera, CA. (562) 949-2535		TITLE UMPQUA POP 12 SHELVES FLOOR DISPLAY	
		SIZE B	DWG. No. 49001272
SCALE: N.T.S.	SHEET: 1 OF 10		

THIS DRAWING IS THE EXCLUSIVE PROPERTY OF REEVE STORE EQUIPMENT CO. WHO HOLDS AND MAINTAINS FULL COPYRIGHT PROTECTION UNDER FEDERAL AND STATE LAW. THIS DRAWING CANNOT BE DUPLICATED, PHOTOCOPIED, DIGITALLY TRANSFERRED, OR REPRODUCED WITHOUT THE EXPRESS WRITTEN CONSENT OF REEVE STORE EQUIPMENT CO. COPYRIGHT 2012, 2011, 2010, 2009, 2008, 2007, 2006, 2005, 2004, 2003, 2002. ALL RIGHTS RESERVED.



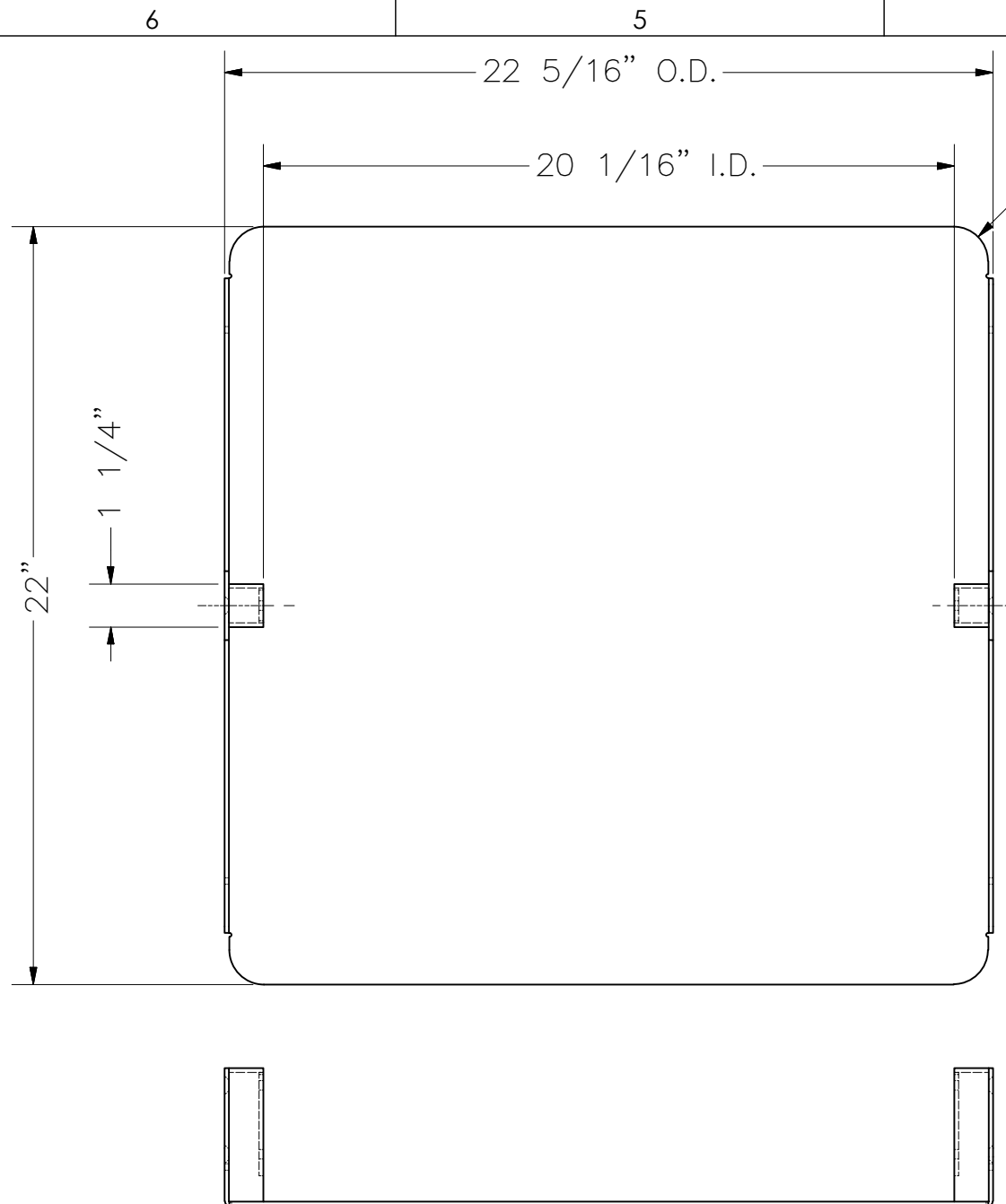
NOTE:
 BOTH SLOTTED CENTER PANEL (ITEM #3) AND VERTICAL FRAMES (ITEM #2) MUST BE PRE-ASSEMBLED PRIOR TO SHIPPING

12		MALE AND FEMALE NYLON RIVET .1875" OD HOLE, 0.50 THK. MATERIAL (WHITE)	4
11		MALE AND FEMALE NYLON RIVET .1875" OD HOLE, .01"-.375" THICK (WHITE)	12
10		FLAT HEAD SOCKET CAP SCREW 1/4-20 X 1-1/2" LG	4
9	49001272-SHR	SINTRA GRAPHIC HEADER	2
8	49001272-S-EP	SINTRA END GRAPHIC PANEL	2
7		LOCKWASHER FOR 1/4" BOLT	6
6	91255A549	BUTTON HEAD SOCKET CAP SCREW 1/4-20 X 3" LG PARTIAL THRD (BLACK ALLOY)	6
5	49001272-SHF	GRAVITY FED SHELF	12
4	49001272-TS	TOP SUPPORT	2
3	49001272-SP	SLOTTED CENTER PANEL	1
2	49001272-VF	VERTICAL FRAME	2
1	49001272-BS	BASE	1
ITEM	PART No.	DESCRIPTION	QTY.

BILL OF MATERIALS

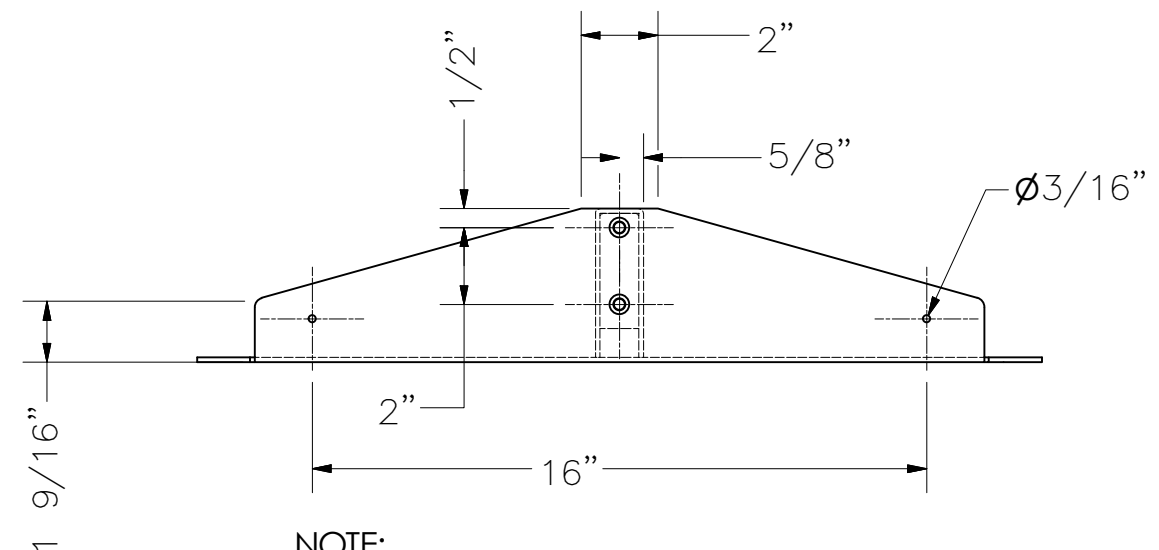
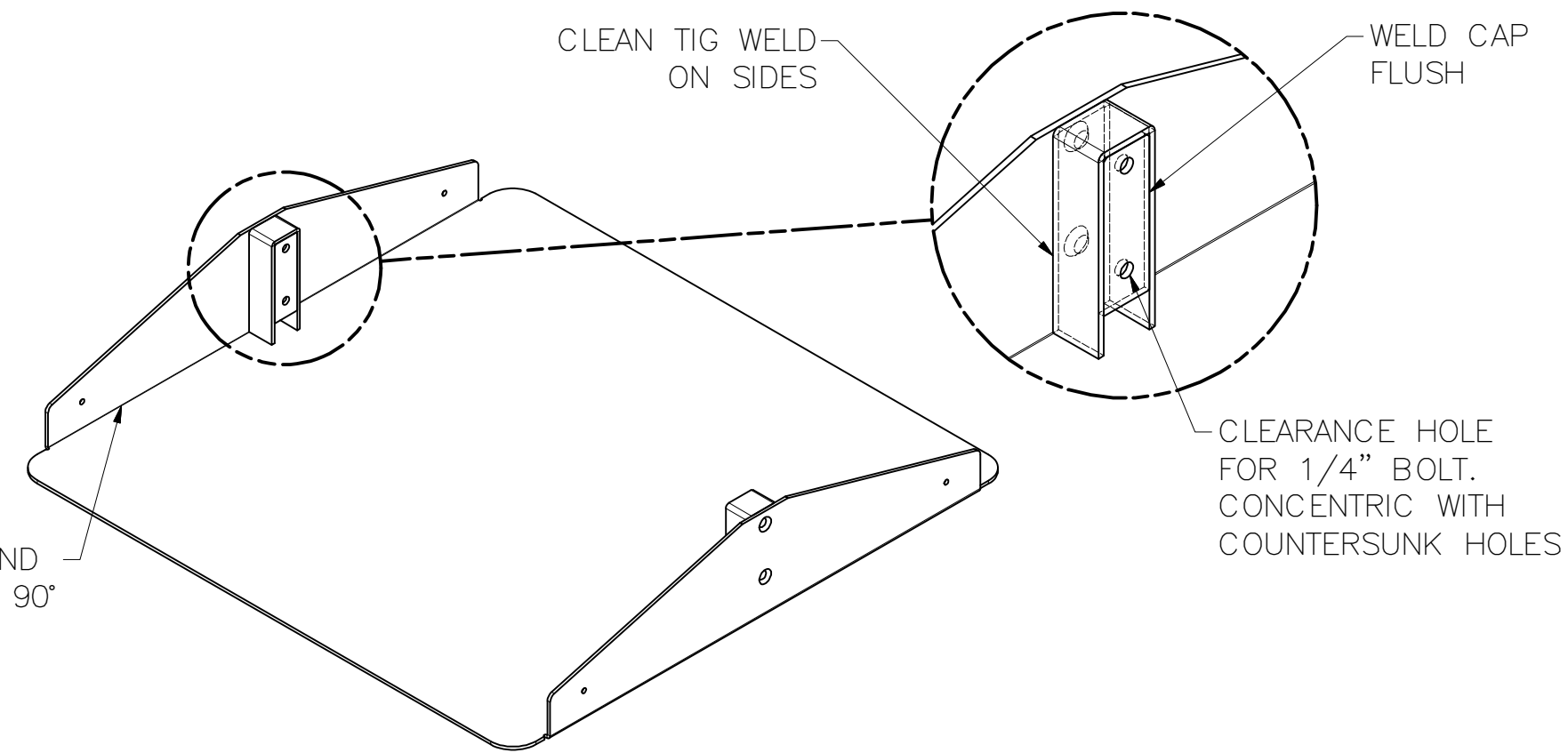
UNLESS OTHERWISE SPECIFIED, DIMENSIONS ARE INCHES. TOLERANCES ARE:		CUSTOMER		 Pico Rivera, CA. (562) 949-2535	
FRACTIONS: +/- 1/32	DECIMALS: .xx +/- .01 .xxx +/- .005	ANGLES: +/- 1/2	UMPQUA OATS		
FINISH SEE INDIVIDUAL DRAWING		APPROVALS	DATE	TITLE	
DO NOT SCALE DRAWING		DRAWN JEL	2/11/2014	UMPQUA POP 12 SHELVES FLOOR DISPLAY	
		CHK'D.		SIZE B	DWG. No.
		APVD.		49001272	
		EQCB No.		SCALE:	REV.
				N.T.S.	
				SHEET:	2 OF 10

THIS DRAWING IS THE EXCLUSIVE PROPERTY OF REEVE STORE EQUIPMENT CO. WHO HOLDS AND MAINTAINS FULL COPYRIGHT PROTECTION UNDER FEDERAL AND STATE LAW. THIS DRAWING CANNOT BE DUPLICATED, PHOTOCOPIED, DIGITALLY TRANSFERRED, OR REPRODUCED WITHOUT THE EXPRESS WRITTEN CONSENT OF REEVE STORE EQUIPMENT CO. COPYRIGHT 2012, 2011, 2010, 2009, 2008, 2007, 2006, 2005, 2004, 2003, 2002. ALL RIGHTS RESERVED.



R1"

BENT AND FORMED 90°



- NOTE:
 1. ALL MATERIALS SHOWN ON THIS PAGE ARE 11 GA. C.R.S. UNLESS OTHERWISE NOTED.
 2. FINISH: POWDER COAT WHITE

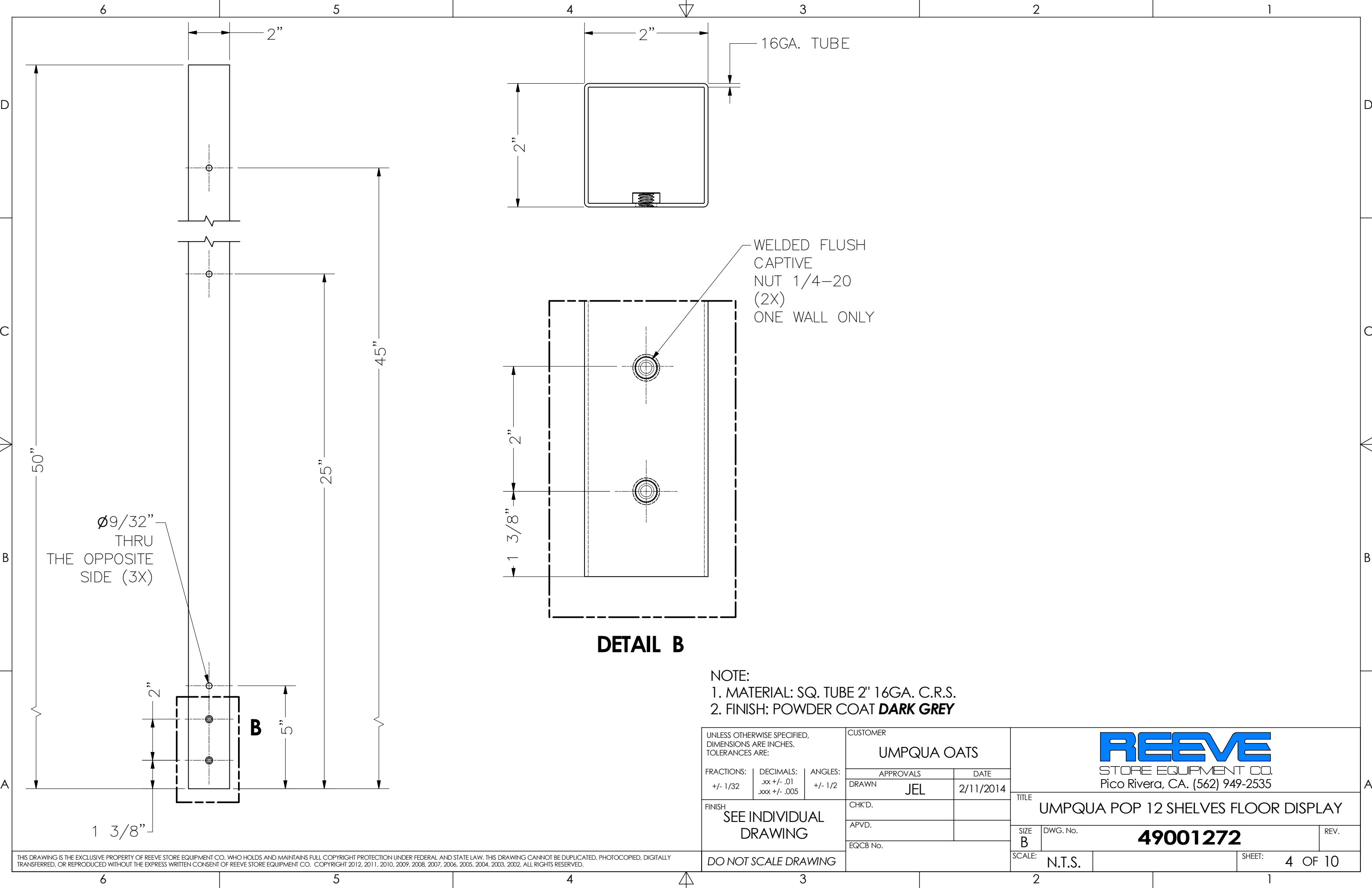
UNLESS OTHERWISE SPECIFIED, DIMENSIONS ARE INCHES. TOLERANCES ARE:			CUSTOMER UMPQUA OATS	
FRACTIONS: +/- 1/32	DECIMALS: .xx +/- .01 .xxx +/- .005	ANGLES: +/- 1/2	APPROVALS	DATE
FINISH SEE INDIVIDUAL DRAWING			DRAWN JEL	2/11/2014
DO NOT SCALE DRAWING			CHK'D.	
			APVD.	
			EQCB No.	

REEVE
STORE EQUIPMENT CO.
Pico Rivera, CA. (562) 949-2535

TITLE: UMPQUA POP 12 SHELVES FLOOR DISPLAY

SIZE B DWG. No. **49001272** REV.

SCALE: N.T.S. SHEET: 3 OF 10



Ø9/32"
THRU
THE OPPOSITE
SIDE (3X)

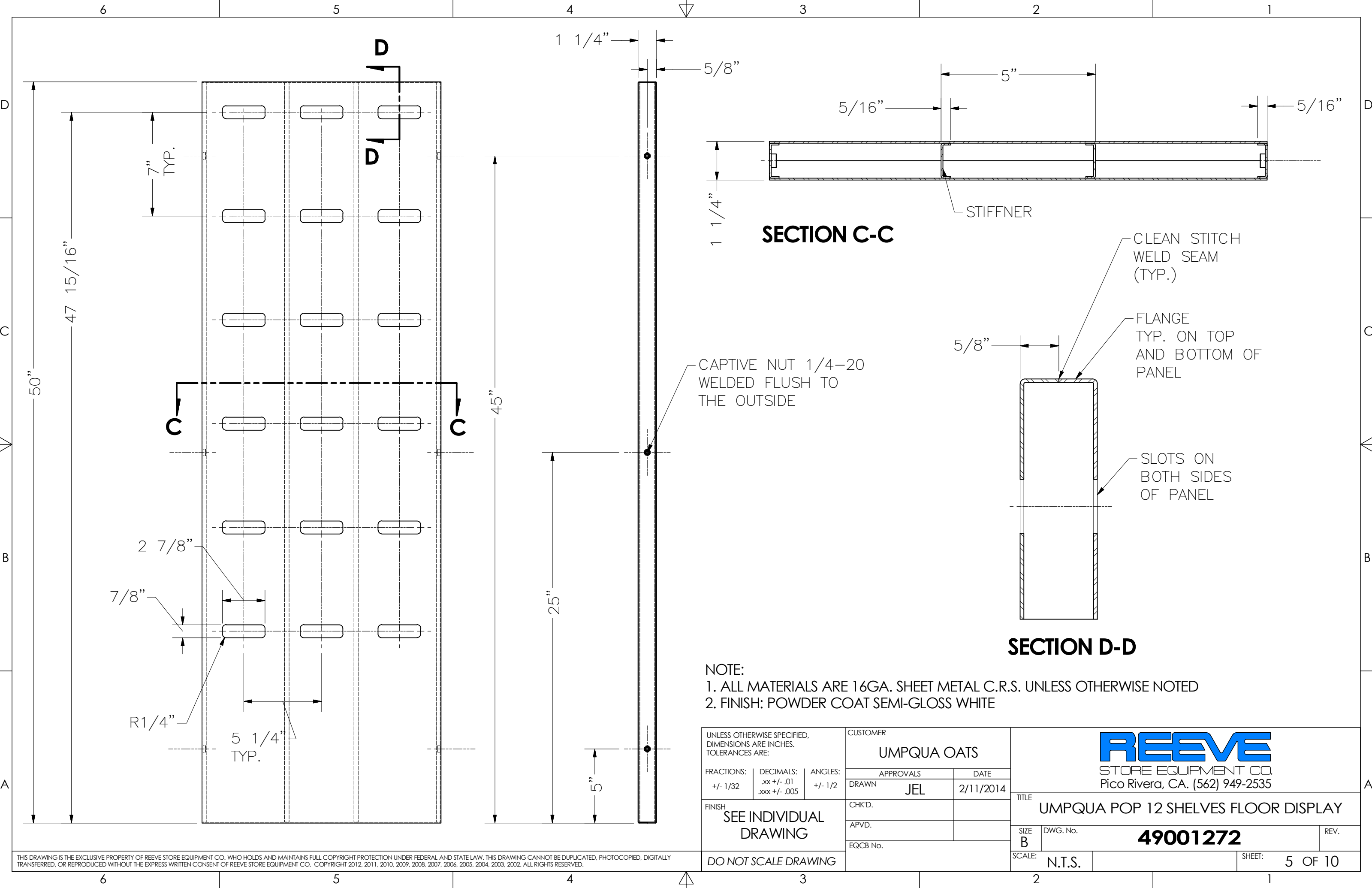
WELDED FLUSH
CAPTIVE
NUT 1/4-20
(2X)
ONE WALL ONLY

DETAIL B

- NOTE:
1. MATERIAL: SQ. TUBE 2" 16GA. C.R.S.
2. FINISH: POWDER COAT **DARK GREY**

UNLESS OTHERWISE SPECIFIED, DIMENSIONS ARE INCHES. TOLERANCES ARE:	CUSTOMER		 STORE EQUIPMENT CO. Pico Rivera, CA. (562) 949-2535	
	FRACTIONS: +/- 1/32	DECIMALS: .xx +/- .01 .xxx +/- .005		
FINISH SEE INDIVIDUAL DRAWING	APPROVALS		DATE	TITLE UMPQUA POP 12 SHELVES FLOOR DISPLAY
	DRAWN JEL		2/11/2014	
	CHK'D.			
DO NOT SCALE DRAWING	APVD.			SIZE B
	EQCB No.			DWG. No. 49001272
			SCALE: N.T.S.	REV.
			SHEET: 4 OF 10	

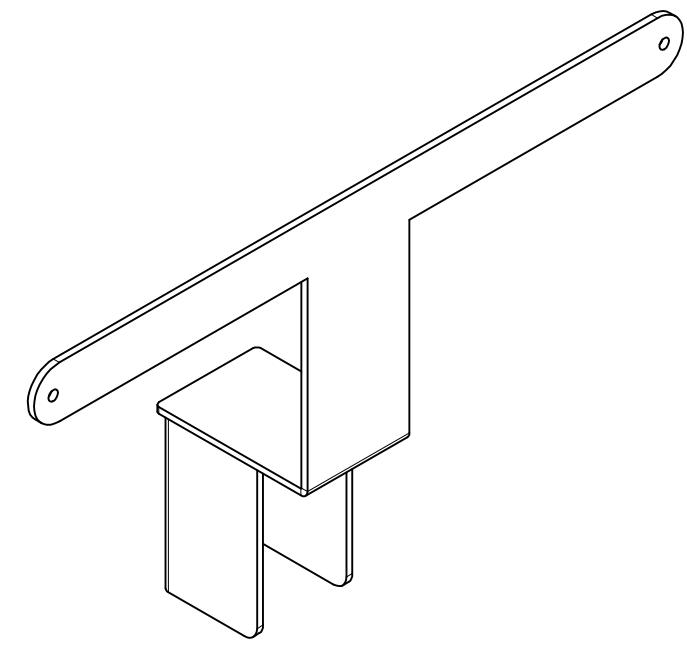
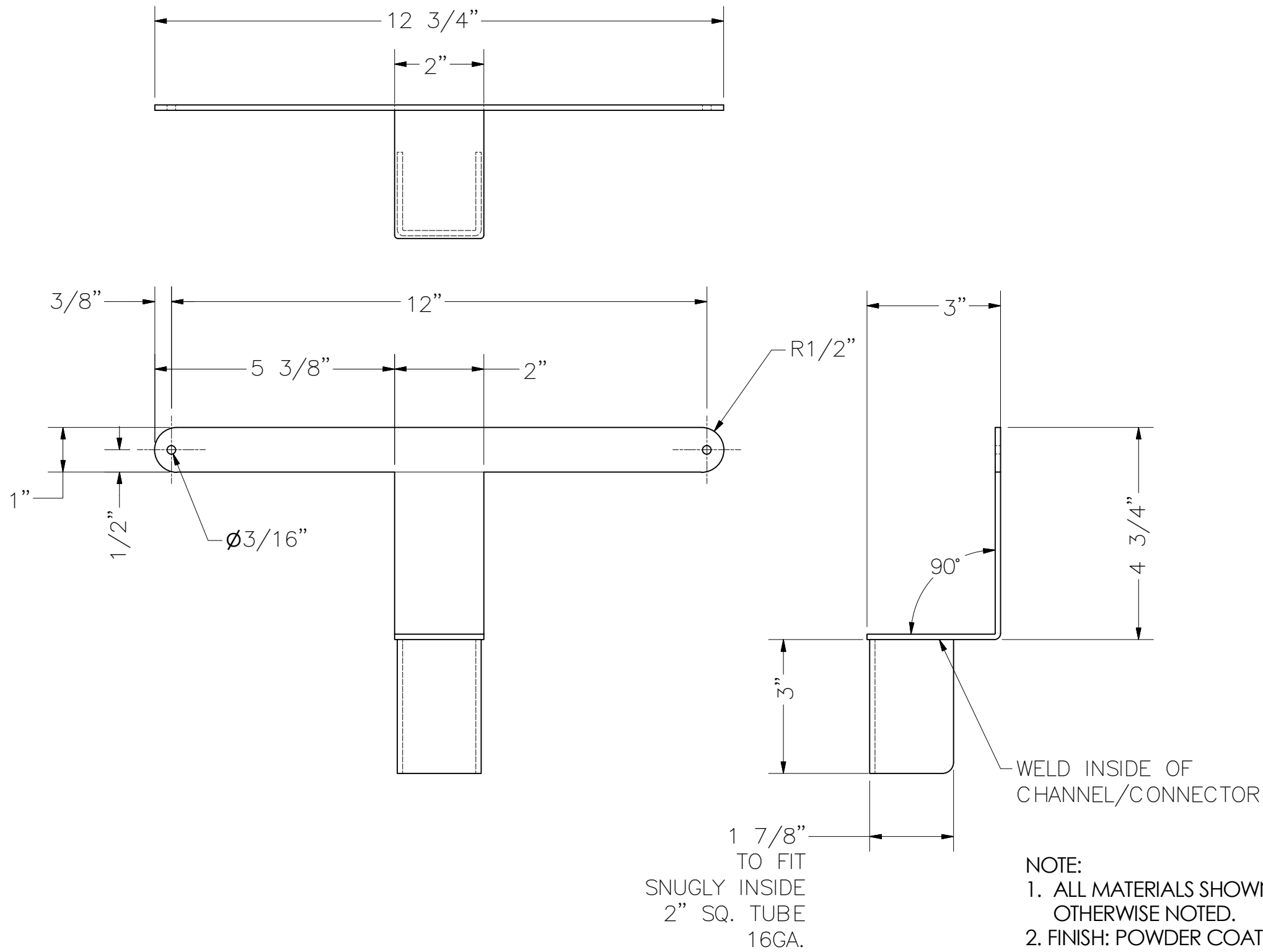
THIS DRAWING IS THE EXCLUSIVE PROPERTY OF REEVE STORE EQUIPMENT CO. WHO HOLDS AND MAINTAINS FULL COPYRIGHT PROTECTION UNDER FEDERAL AND STATE LAW. THIS DRAWING CANNOT BE DUPLICATED, PHOTOCOPIED, DIGITALLY TRANSFERRED, OR REPRODUCED WITHOUT THE EXPRESS WRITTEN CONSENT OF REEVE STORE EQUIPMENT CO. COPYRIGHT 2012, 2011, 2010, 2009, 2008, 2007, 2006, 2005, 2004, 2003, 2002. ALL RIGHTS RESERVED.



NOTE:
 1. ALL MATERIALS ARE 16GA. SHEET METAL C.R.S. UNLESS OTHERWISE NOTED
 2. FINISH: POWDER COAT SEMI-GLOSS WHITE

UNLESS OTHERWISE SPECIFIED, DIMENSIONS ARE INCHES. TOLERANCES ARE:		CUSTOMER UMPQUA OATS		 Pico Rivera, CA. (562) 949-2535	
FRACTIONS: +/- 1/32	DECIMALS: .xx +/- .01 .xxx +/- .005	ANGLES: +/- 1/2	APPROVALS		
FINISH SEE INDIVIDUAL DRAWING			DRAWN JEL	2/11/2014	TITLE UMPQUA POP 12 SHELVES FLOOR DISPLAY
DO NOT SCALE DRAWING			CHK'D.		SIZE B
			APVD.		DWG. No. 49001272
			EQCB No.		SCALE: N.T.S.
					REV.
					SHEET: 5 OF 10

THIS DRAWING IS THE EXCLUSIVE PROPERTY OF REEVE STORE EQUIPMENT CO. WHO HOLDS AND MAINTAINS FULL COPYRIGHT PROTECTION UNDER FEDERAL AND STATE LAW. THIS DRAWING CANNOT BE DUPLICATED, PHOTOCOPIED, DIGITALLY TRANSFERRED, OR REPRODUCED WITHOUT THE EXPRESS WRITTEN CONSENT OF REEVE STORE EQUIPMENT CO. COPYRIGHT 2012, 2011, 2010, 2009, 2008, 2007, 2006, 2005, 2004, 2003, 2002. ALL RIGHTS RESERVED.



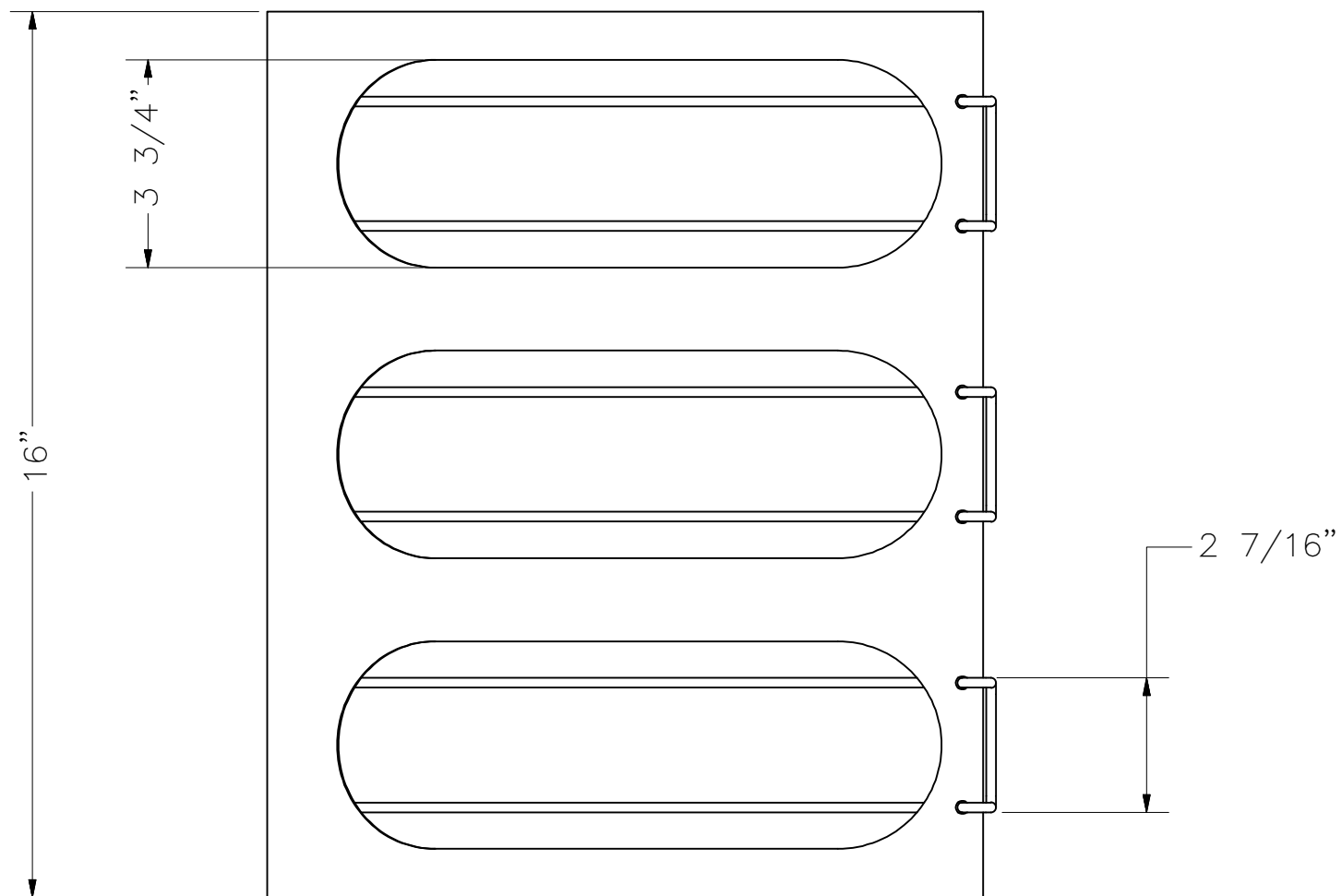
1 7/8"
TO FIT
SNUGLY INSIDE
2" SQ. TUBE
16GA.

WELD INSIDE OF
CHANNEL/CONNECTOR

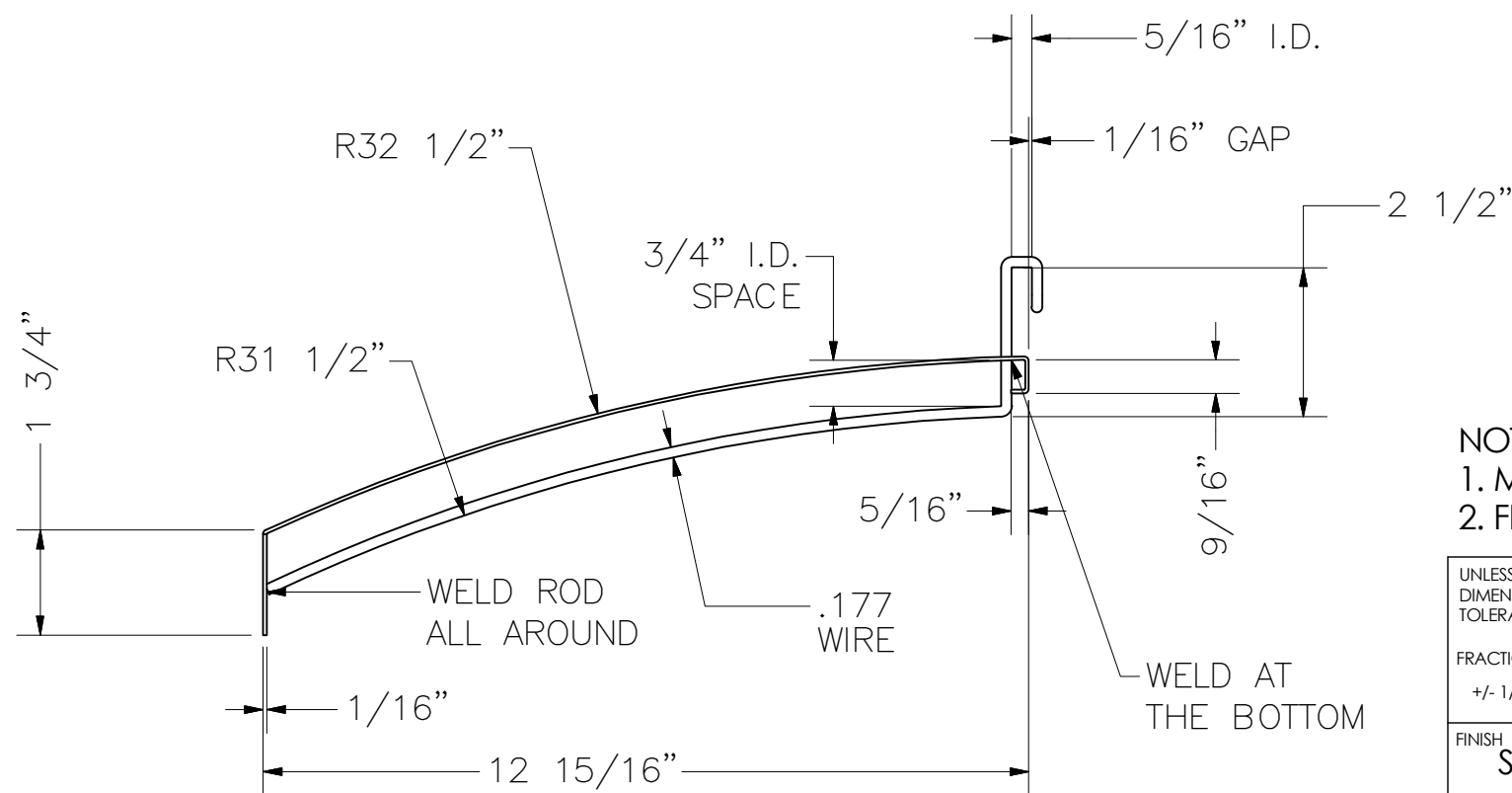
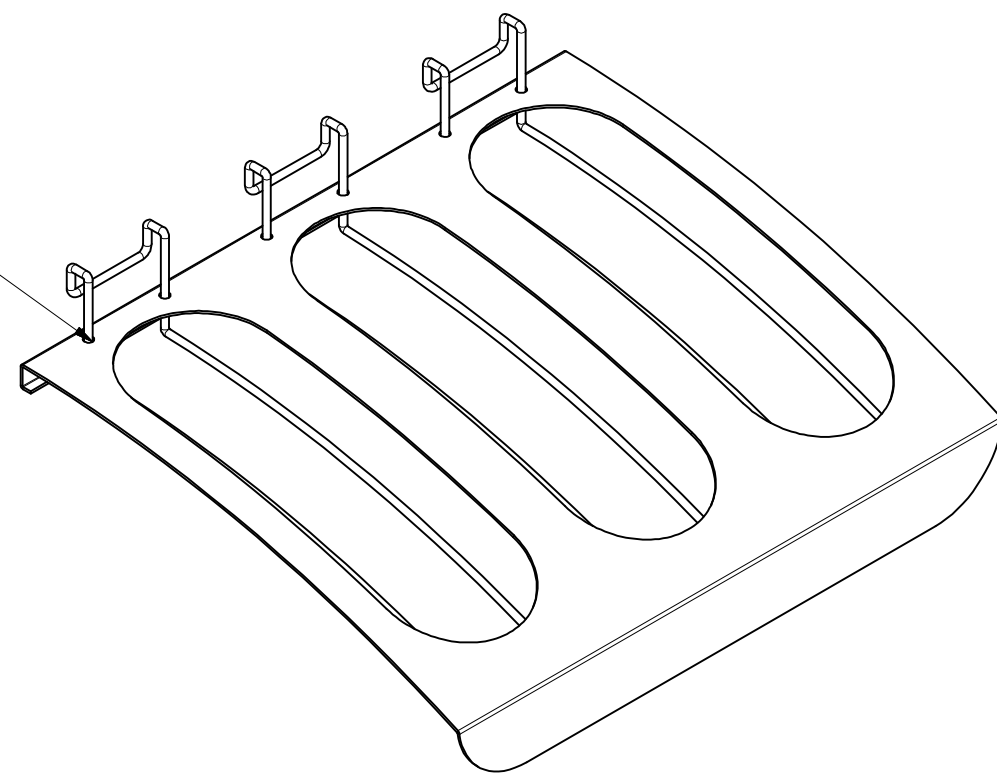
- NOTE:
1. ALL MATERIALS SHOWN ON THIS PAGE ARE 11 GA. C.R.S. UNLESS OTHERWISE NOTED.
 2. FINISH: POWDER COAT **DARK GREY**
 3. ALL BENDS ARE 90° UNLESS OTHERWISE NOTED.

UNLESS OTHERWISE SPECIFIED, DIMENSIONS ARE INCHES. TOLERANCES ARE:			CUSTOMER UMPQUA OATS	
FRACTIONS: +/- 1/32	DECIMALS: .xx +/- .01 .xxx +/- .005	ANGLES: +/- 1/2	APPROVALS	DATE
FINISH SEE INDIVIDUAL DRAWING			DRAWN JEL	2/11/2014
DO NOT SCALE DRAWING			CHK'D.	
			APVD.	
			EQCB No.	

			TITLE UMPQUA POP 12 SHELVES FLOOR DISPLAY	
			SIZE B	DWG. No. 49001272
SCALE: N.T.S.		SHEET: 6 OF 10		



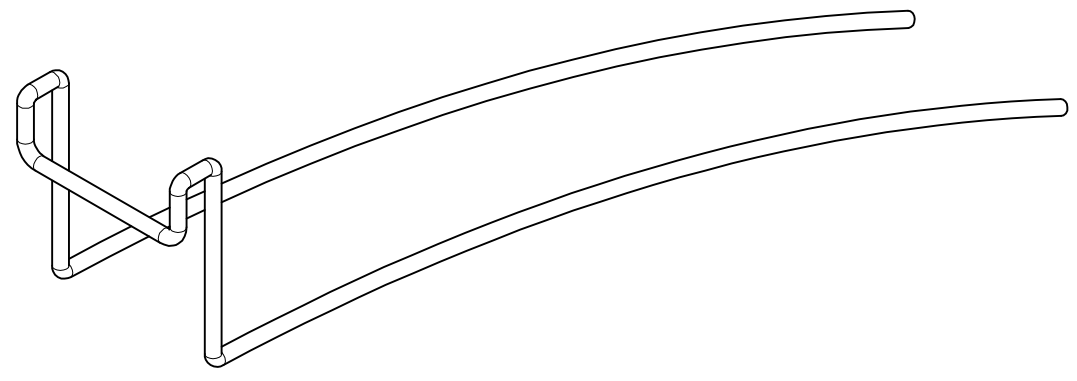
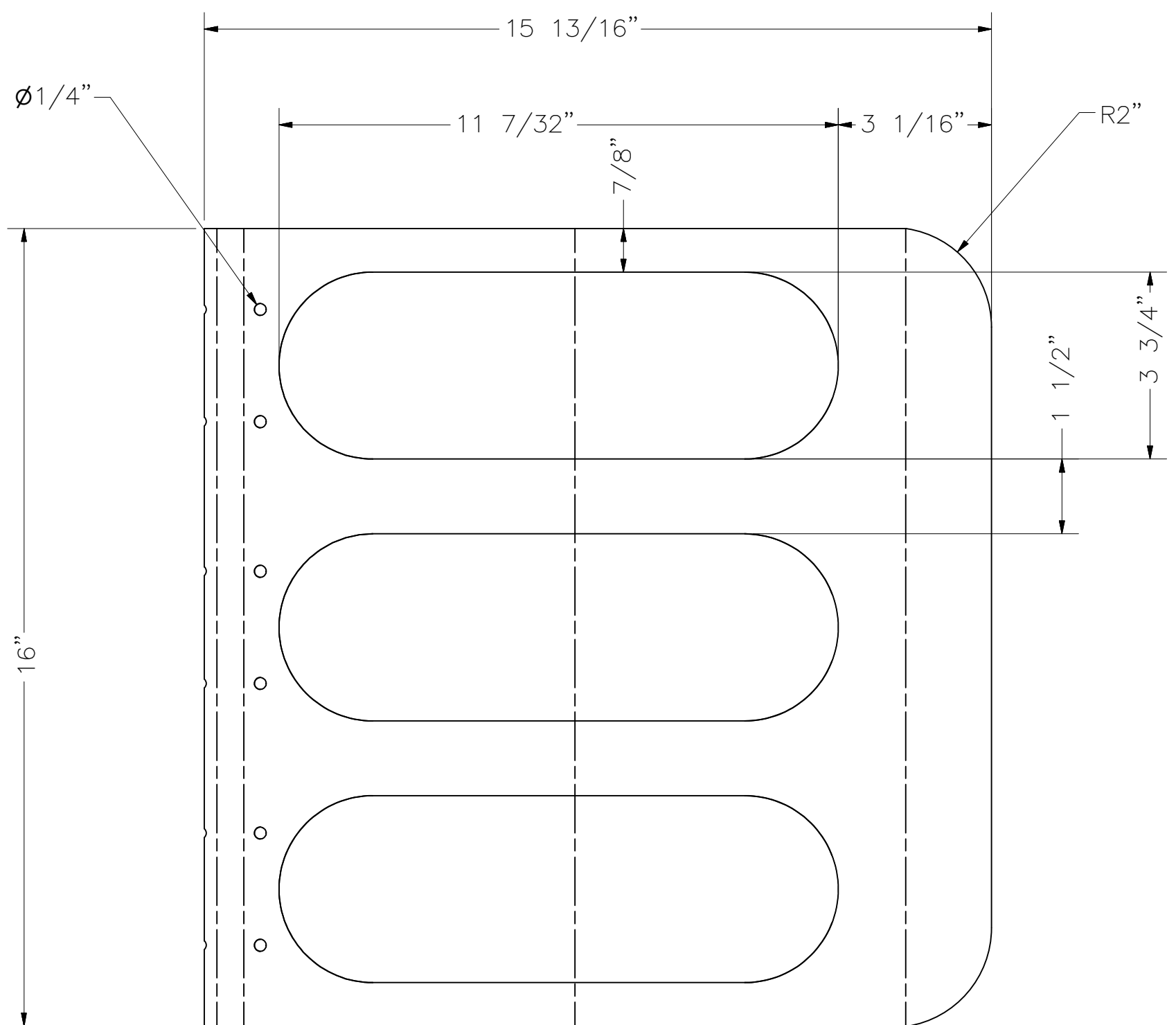
NO EXPOSED WELDS ON TOP



NOTES:

1. MATERIALS: 16GA. METAL SHEET C.R.S. AND 0.177 (7GA. WIRE)
2. FINISH: POWDER COAT TO MATCH BLUE ANODIZED FINISH.

UNLESS OTHERWISE SPECIFIED, DIMENSIONS ARE INCHES. TOLERANCES ARE:			CUSTOMER UMPQUA OATS		
FRACTIONS: +/- 1/32	DECIMALS: .xx +/- .01 .xxx +/- .005	ANGLES: +/- 1/2	APPROVALS	DATE	
FINISH SEE INDIVIDUAL DRAWING			DRAWN JEL	2/11/2014	TITLE UMPQUA POP 12 SHELVES FLOOR DISPLAY
DO NOT SCALE DRAWING			CHK'D.		SIZE B
			APVD.		DWG. No. 49001272
			EQCB No.		SCALE: N.T.S.
					REV.
					SHEET: 7 OF 10



UNLESS OTHERWISE SPECIFIED,
DIMENSIONS ARE INCHES.
TOLERANCES ARE:

FRACTIONS: +/- 1/32	DECIMALS: .xx +/- .01 .xxx +/- .005	ANGLES: +/- 1/2
------------------------	---	--------------------

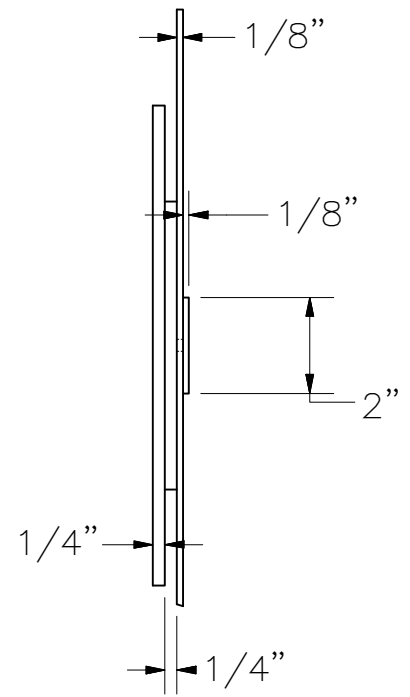
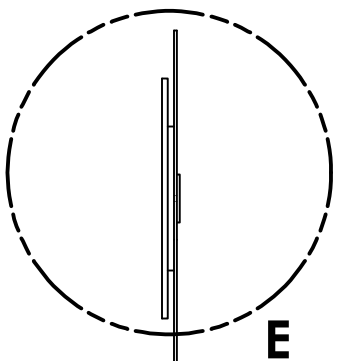
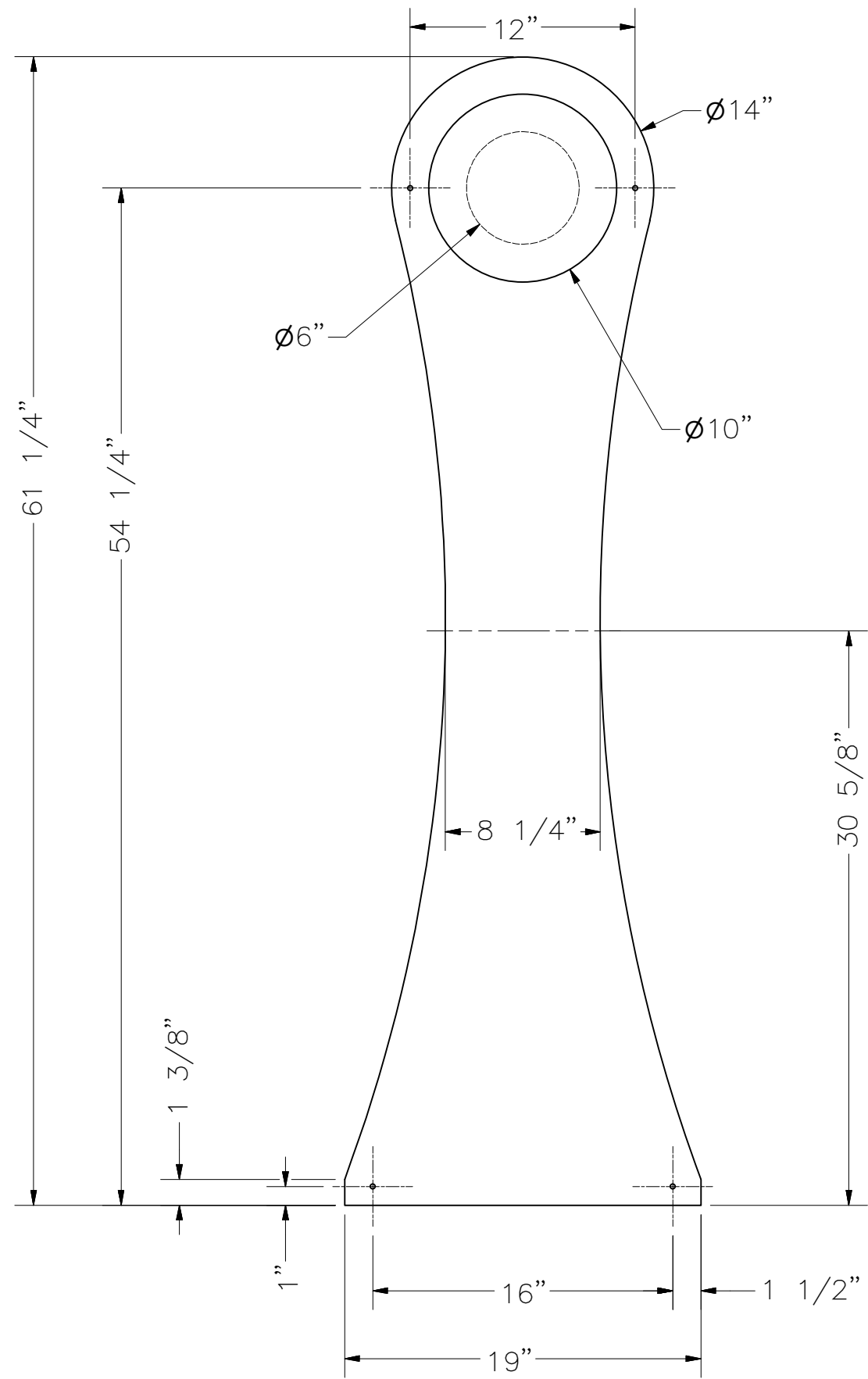
FINISH
**SEE INDIVIDUAL
DRAWING**

DO NOT SCALE DRAWING

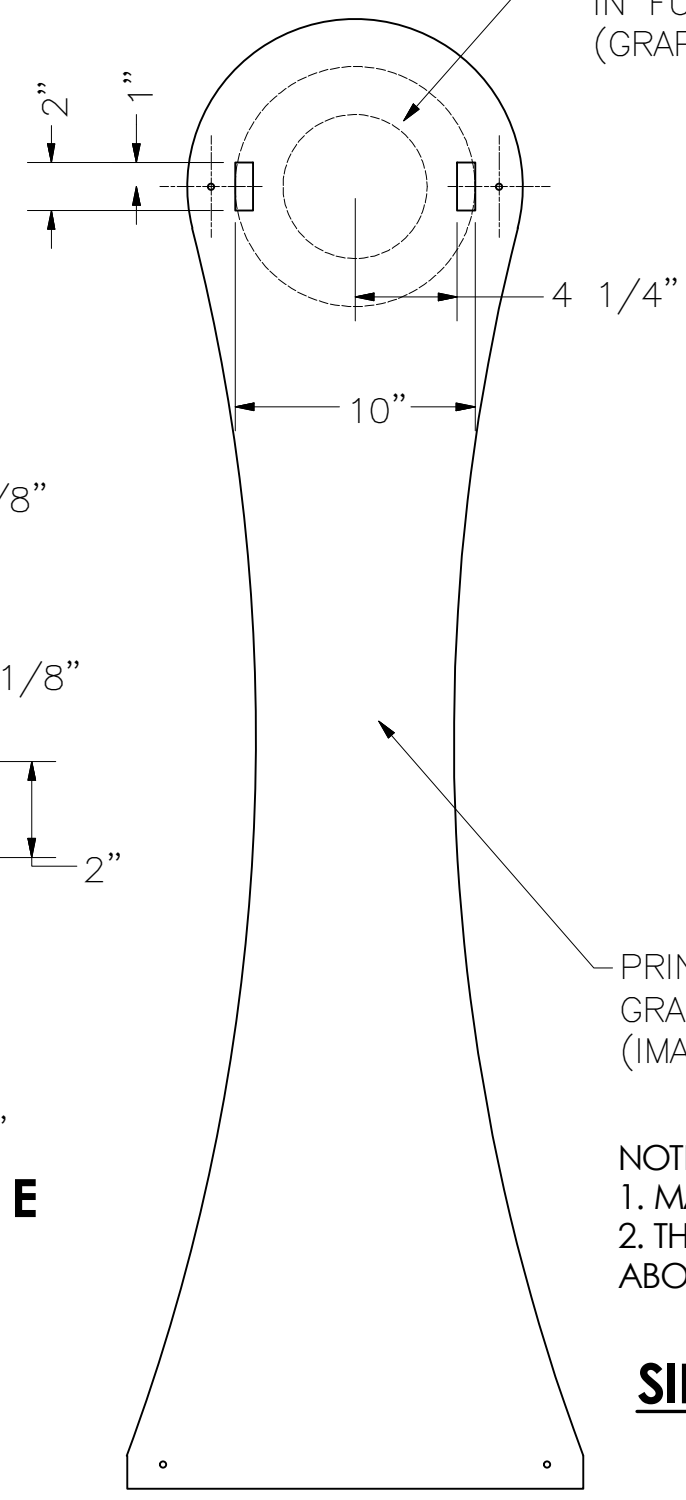
CUSTOMER UMPQUA OATS	
APPROVALS	DATE
DRAWN JEL	2/11/2014
CHK'D.	
APVD.	
EQCB No.	

 Pico Rivera, CA. (562) 949-2535		TITLE UMPQUA POP 12 SHELVES FLOOR DISPLAY	
		SIZE B	DWG. No. 49001272
SCALE: N.T.S.		SHEET: 8 OF 10	

THIS DRAWING IS THE EXCLUSIVE PROPERTY OF REEVE STORE EQUIPMENT CO. WHO HOLDS AND MAINTAINS FULL COPYRIGHT PROTECTION UNDER FEDERAL AND STATE LAW. THIS DRAWING CANNOT BE DUPLICATED, PHOTOCOPIED, DIGITALLY TRANSFERRED, OR REPRODUCED WITHOUT THE EXPRESS WRITTEN CONSENT OF REEVE STORE EQUIPMENT CO. COPYRIGHT 2012, 2011, 2010, 2009, 2008, 2007, 2006, 2005, 2004, 2003, 2002. ALL RIGHTS RESERVED.



DETAIL E



REAR VIEW

PRINTED GRAPHIC
IN FULL COLOR
(GRAPHIC IMAGES TO FOLLOW)

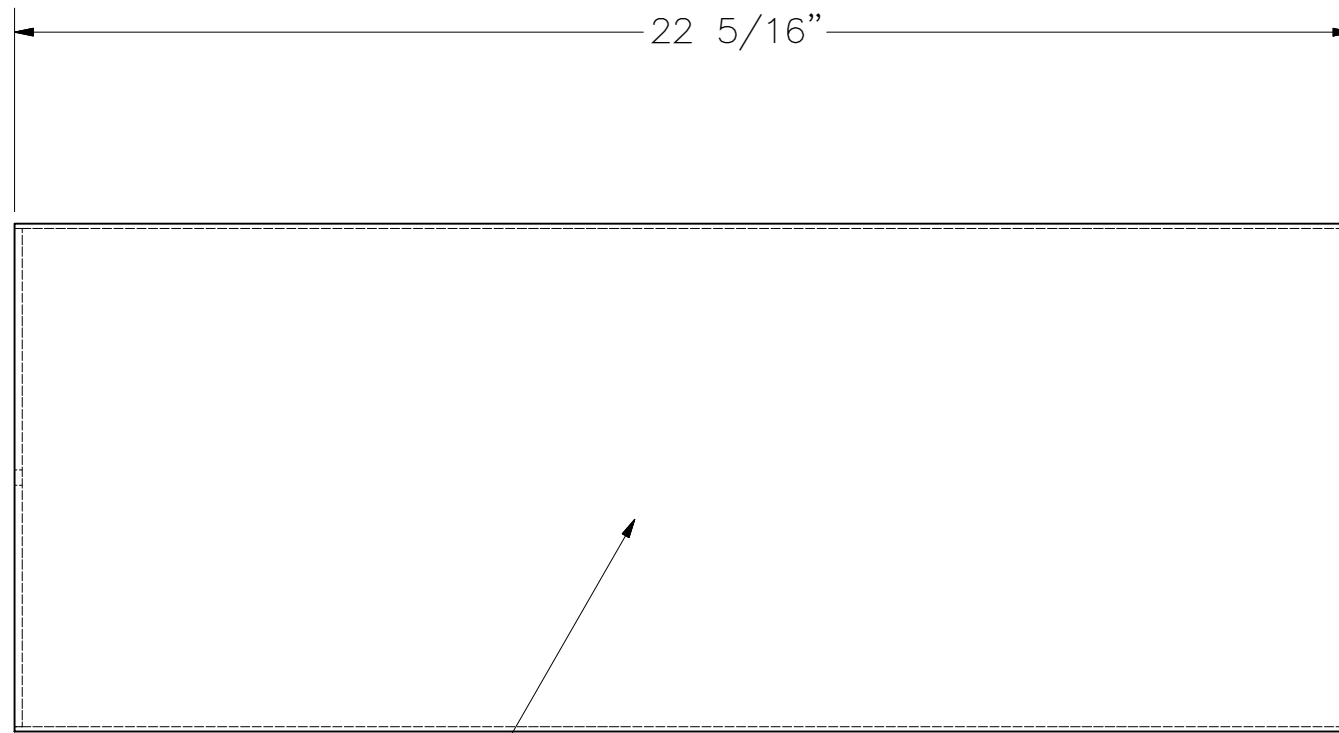
PRINTED GRAPHIC IN FULL COLOR
(IMAGES TO FOLLOW)

NOTE:
1. MATERIALS: WHITE SINTRA PANEL
2. THICKNESS: VARY (SEE DETAIL ABOVE)

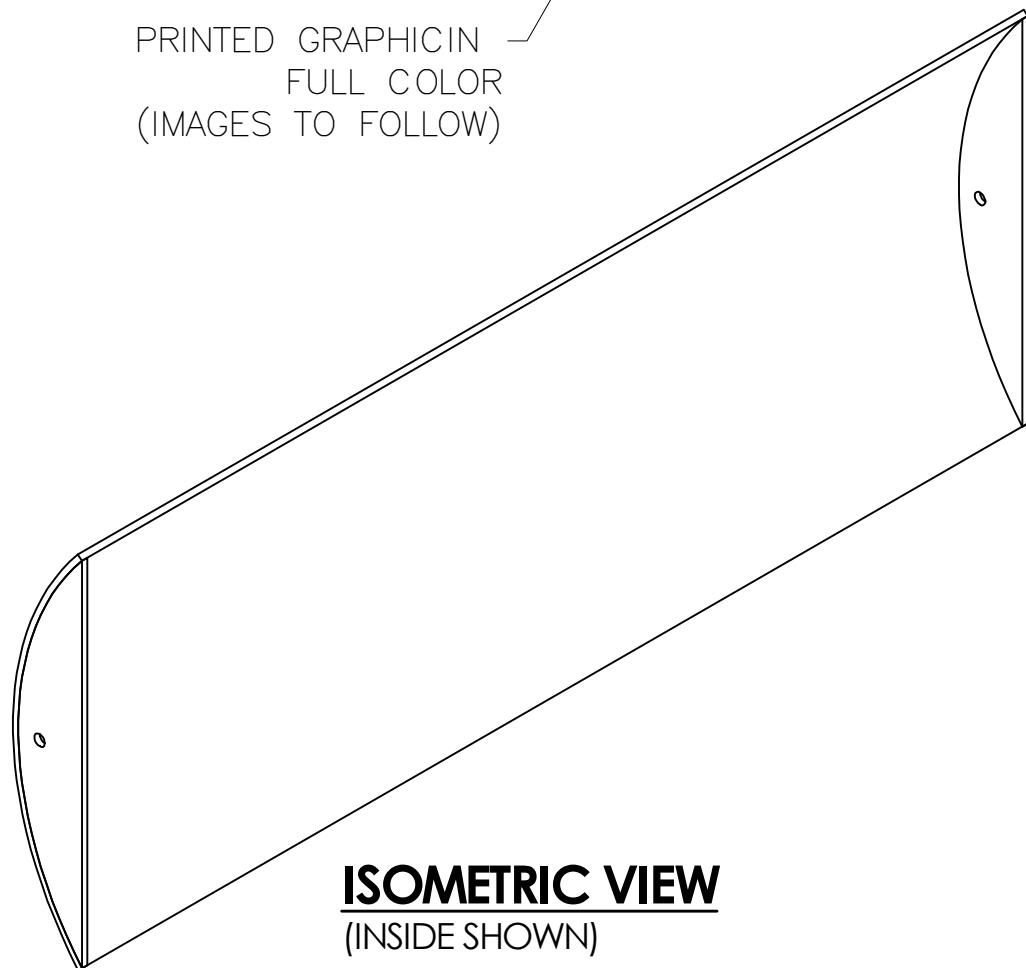
**SINTRA END GRAPHIC
PANEL**

UNLESS OTHERWISE SPECIFIED, DIMENSIONS ARE INCHES. TOLERANCES ARE:			CUSTOMER UMPQUA OATS			
FRACTIONS: +/- 1/32	DECIMALS: .xx +/- .01 .xxx +/- .005	ANGLES: +/- 1/2	APPROVALS	DATE		
FINISH SEE INDIVIDUAL DRAWING			DRAWN JEL	2/11/2014	TITLE UMPQUA POP 12 SHELVES FLOOR DISPLAY	
DO NOT SCALE DRAWING			CHK'D.		SIZE B	DWG. No. 49001272
			APVD.		SCALE: N.T.S.	REV.
			EQCB No.		SHEET: 9 OF 10	

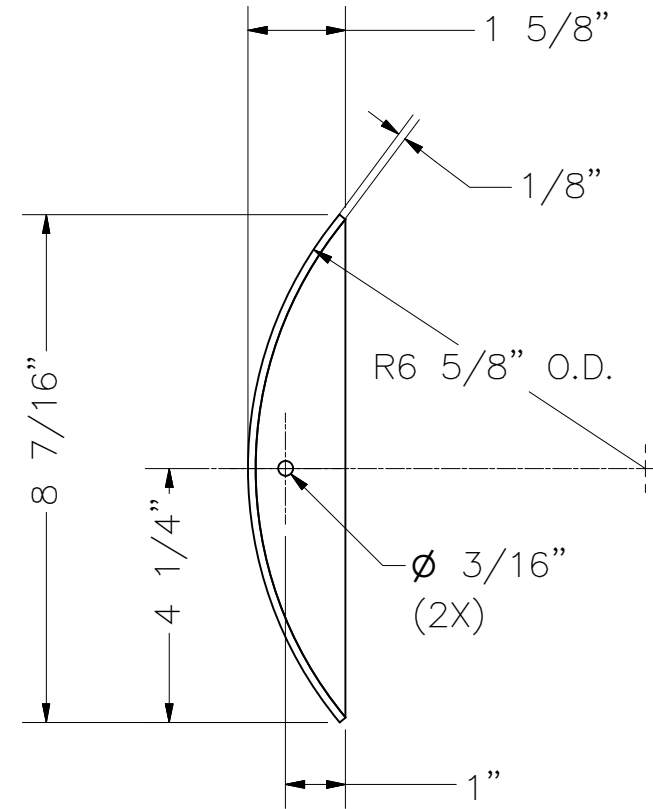
THIS DRAWING IS THE EXCLUSIVE PROPERTY OF REEVE STORE EQUIPMENT CO. WHO HOLDS AND MAINTAINS FULL COPYRIGHT PROTECTION UNDER FEDERAL AND STATE LAW. THIS DRAWING CANNOT BE DUPLICATED, PHOTOCOPIED, DIGITALLY TRANSFERRED, OR REPRODUCED WITHOUT THE EXPRESS WRITTEN CONSENT OF REEVE STORE EQUIPMENT CO. COPYRIGHT 2012, 2011, 2010, 2009, 2008, 2007, 2006, 2005, 2004, 2003, 2002. ALL RIGHTS RESERVED.



PRINTED GRAPHIC IN
FULL COLOR
(IMAGES TO FOLLOW)



ISOMETRIC VIEW
(INSIDE SHOWN)



**SINTRA HEADER GRAPHIC
PANEL**

NOTE:
1. MATERIALS: 1/8" THK. WHITE
SINTRA PANEL

UNLESS OTHERWISE SPECIFIED, DIMENSIONS ARE INCHES. TOLERANCES ARE:	CUSTOMER		 Pico Rivera, CA. (562) 949-2535	
	FRACTIONS: +/- 1/32	DECIMALS: .xx +/- .01 .xxx +/- .005		
APPROVALS		DATE		TITLE
DRAWN JEL		2/11/2014		
FINISH		EQCB No.		SIZE
SEE INDIVIDUAL DRAWING		APVD.		B
DO NOT SCALE DRAWING		DWG. No.		49001272
		SCALE:		REV.
		N.T.S.		10 OF 10