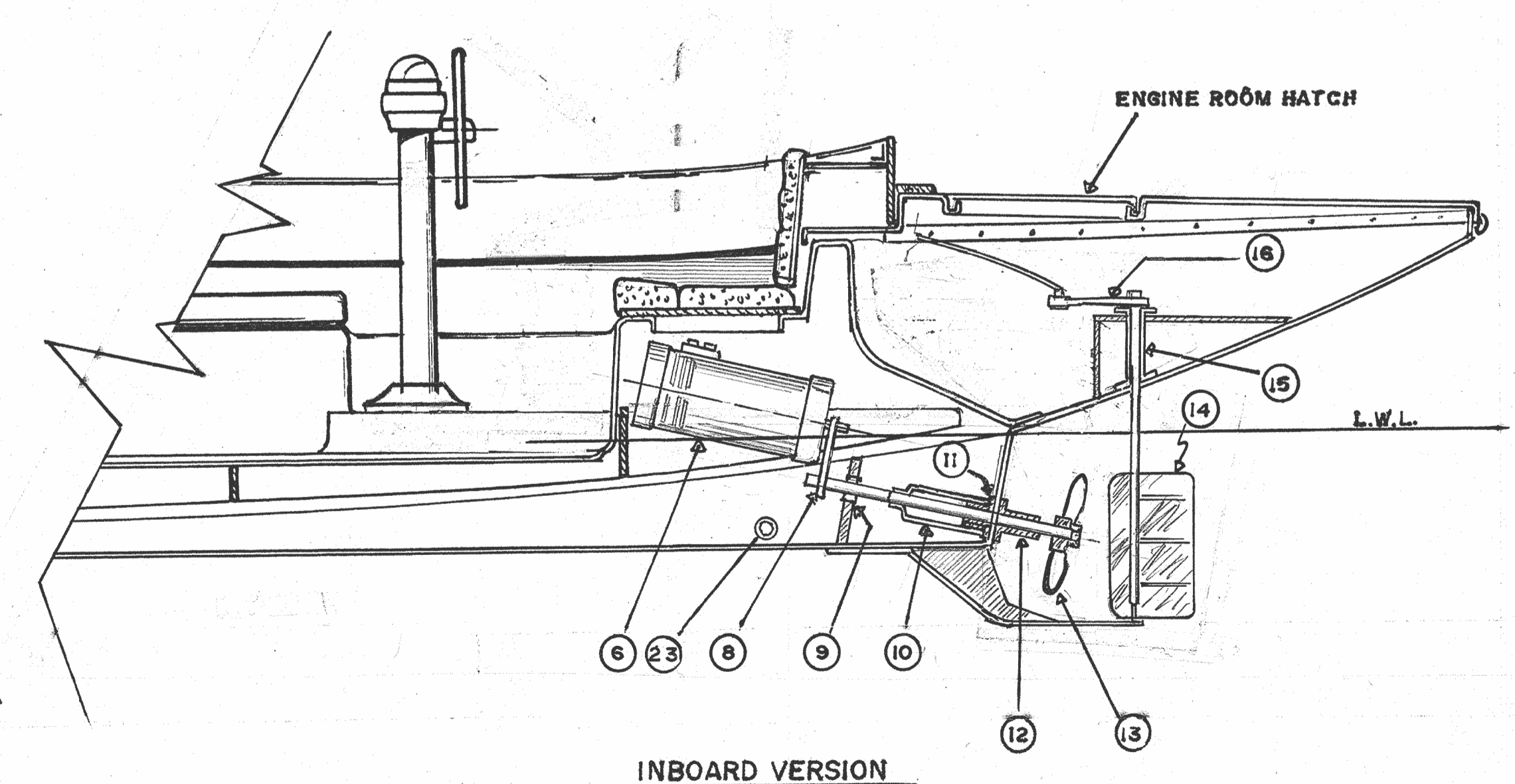


LIST OF EQUIPMENT

1	MINN KOTA EL-96 o/b motors
2	EDSON steering system assembly No. 331
3	15 in. s.s. destroyer wheel
4	Battery charger
5	110 V, 30 A MARINCO shore power inlet
6	3 Kw i/b STELCO motor
7	o/b motor controls
8	driving belt
9	Propeller shaft bearing
10	Dripless shaft seal
11	Shaft log
12	Shaft strut and bearing
13	12 in. x 11 in. 3 blade bronze propeller
14	Composite rudder blade (3/4 in. s.s. post)
15	Rudder port
16	Tiller arm
17	8 in. PERKO cleats
18	4 in. chocks
19	PERKO No. 1218 navigation lights
20	2 in. s.s. U-bolt
21	Batteries and tray
22	RULE 1,100 GPH auto bilge pump No. RM 1,100
23	PERKO No. 737 DP-2 drain plug
24	PERKO No. 1254 DPCHR swiveling courtesy light
25	PERKO No. 1445 DP5CHR All-round light
26	Optional AQUA-SIGNAL No. 25100-7 combination light
27	Custom s.s. anchor roller
28	WHITE No. S-113P rope deck pipe
29	PERKO No. 9601 battery switch
30	GUEST No. 803 swivel spreader light



INBOARD VERSION

PROJECT NAME : E-BOAT 21	DRAWING NO. : EMI-21ASSY	SCALE : 1" = 2'
CLIENT : ELECTRIC MARINE INDUSTRIES	OBJECT : CONSTRUCTION DRAWINGS 1/1	DATE : 05-19-99
REVISION :		
NOTE :		

IMPACT DESIGN