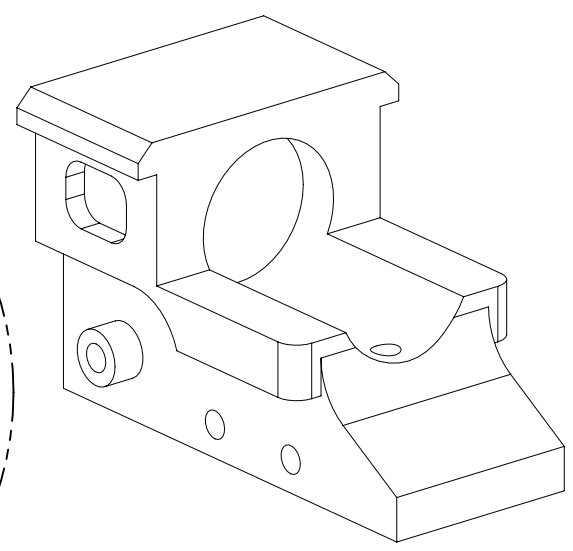
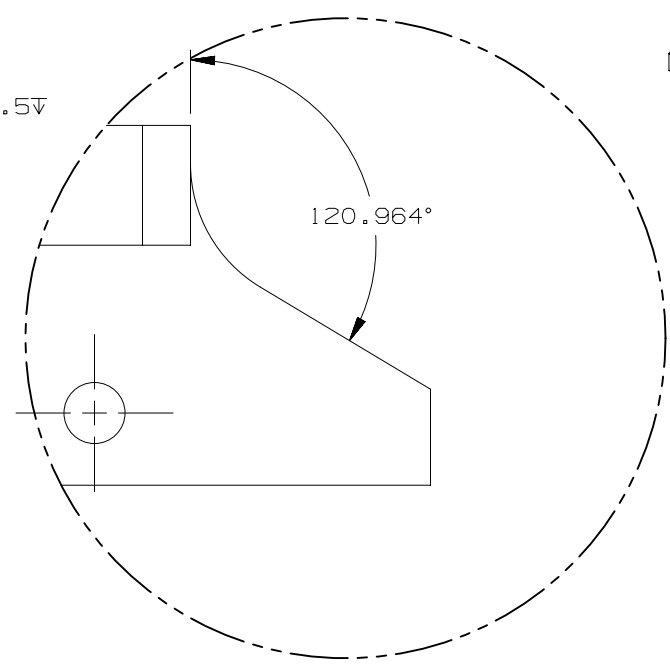
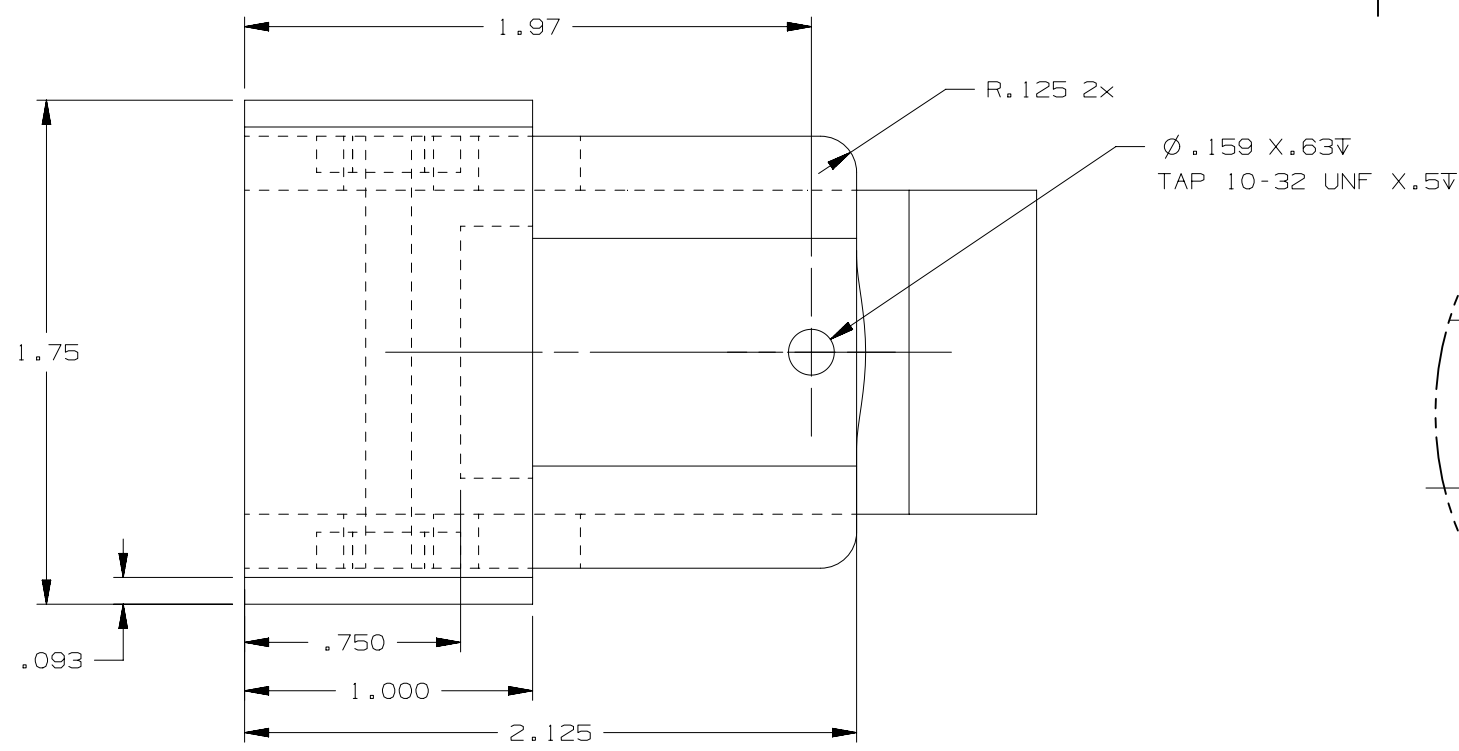


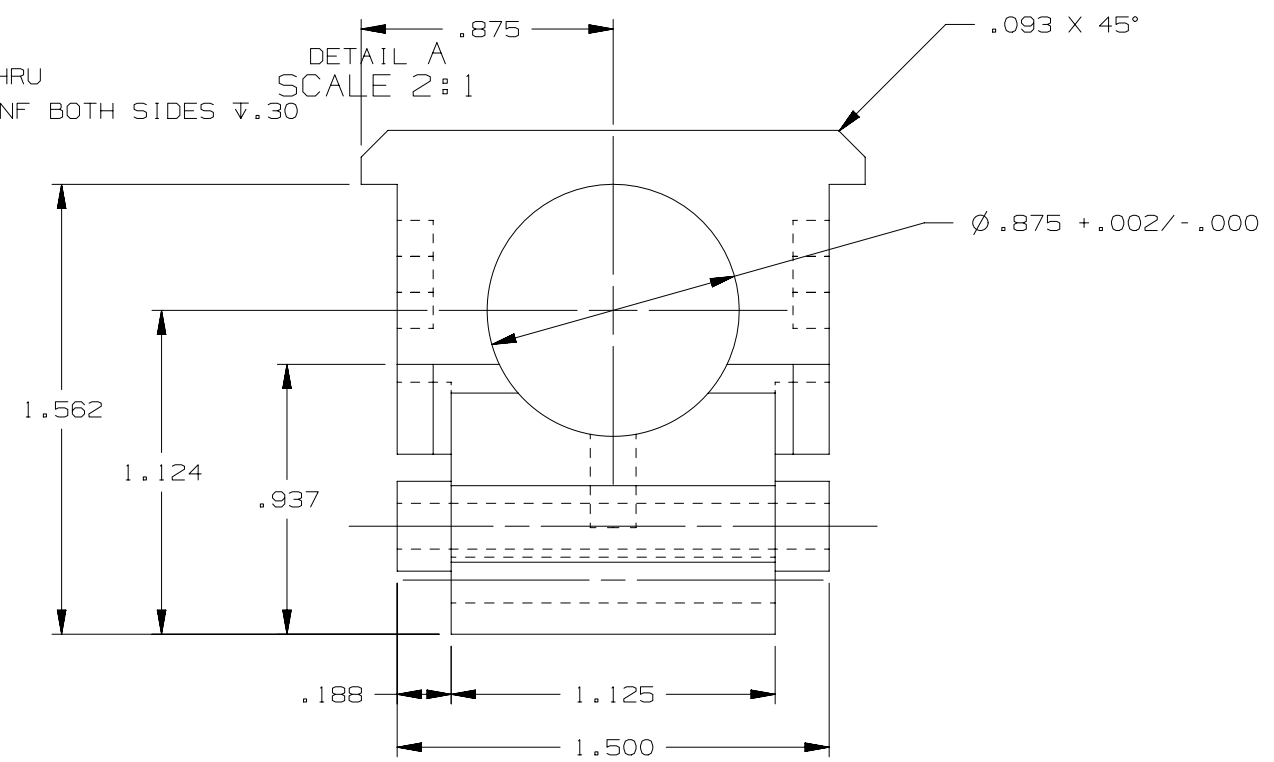
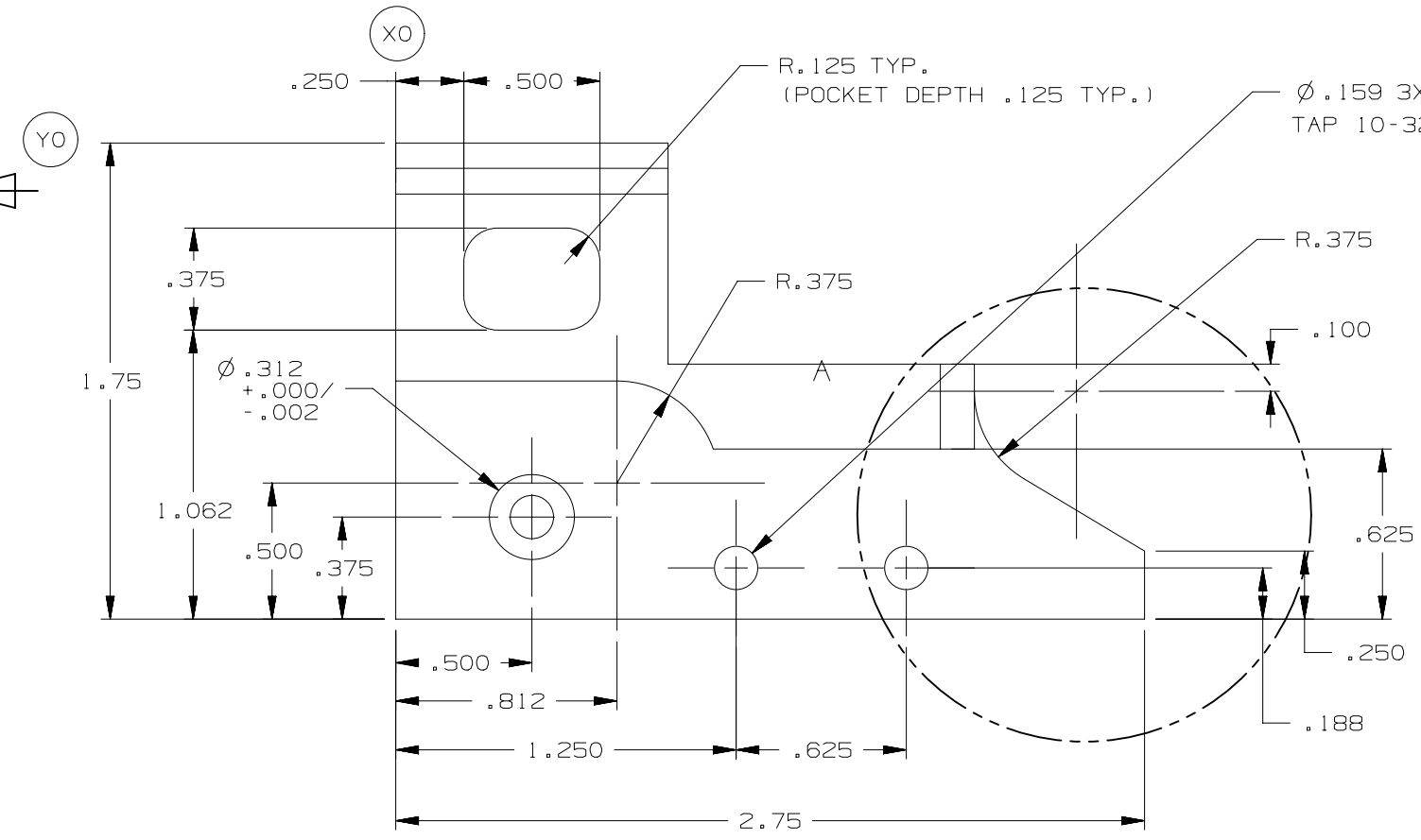
1 2 3 4 5 6 7 8

F
E
D
C
B
A

F
E
D
C
B
A



SCALE 1:1



MATERIAL 1.75 SQUARE PRE-MACHINED TO 2.75 LONG

REFERENCE PROGRAM FROM XO, YO

NOTE: CAREFULLY CONSIDER WHEN TO USE CUTTER COMPENSATION

DRAWING NOTES: (UNLESS OTHERWISE NOTED)
1. ALL DIMENSIONS IN INCHES

(File > Properties > Attributes)		RENSELAER POLYTECHNIC INSTITUTE	
TITLE:		TRAIN CAB	
DRAWN BY: SCOTT YERBURY		PHONE: 276-8290	
E-MAIL: yerbus@rpi.edu		CHECKED: (INITIALS)	
FACULTY ADVISOR:		SECTION REV B	
MATERIAL: ALUMINUM 6061		COURSE NAME/NUMBER: CAM 1	
TOLERANCES (UNLESS NOTED)		CAD FILE: TRAIN CABb	
DECIMAL: X.X ± 0.015		SCALE 1:1	
DECIMAL: X.XX ± 0.01		DATE: JUNE 24, 2009	
DECIMAL: X.XXX ± 0.005		SHEET: 1 OF 1	
FRACTIONAL: ± 1/32			
NO. PARTS REQD: #			

1 2 3 4 5 6 7 8