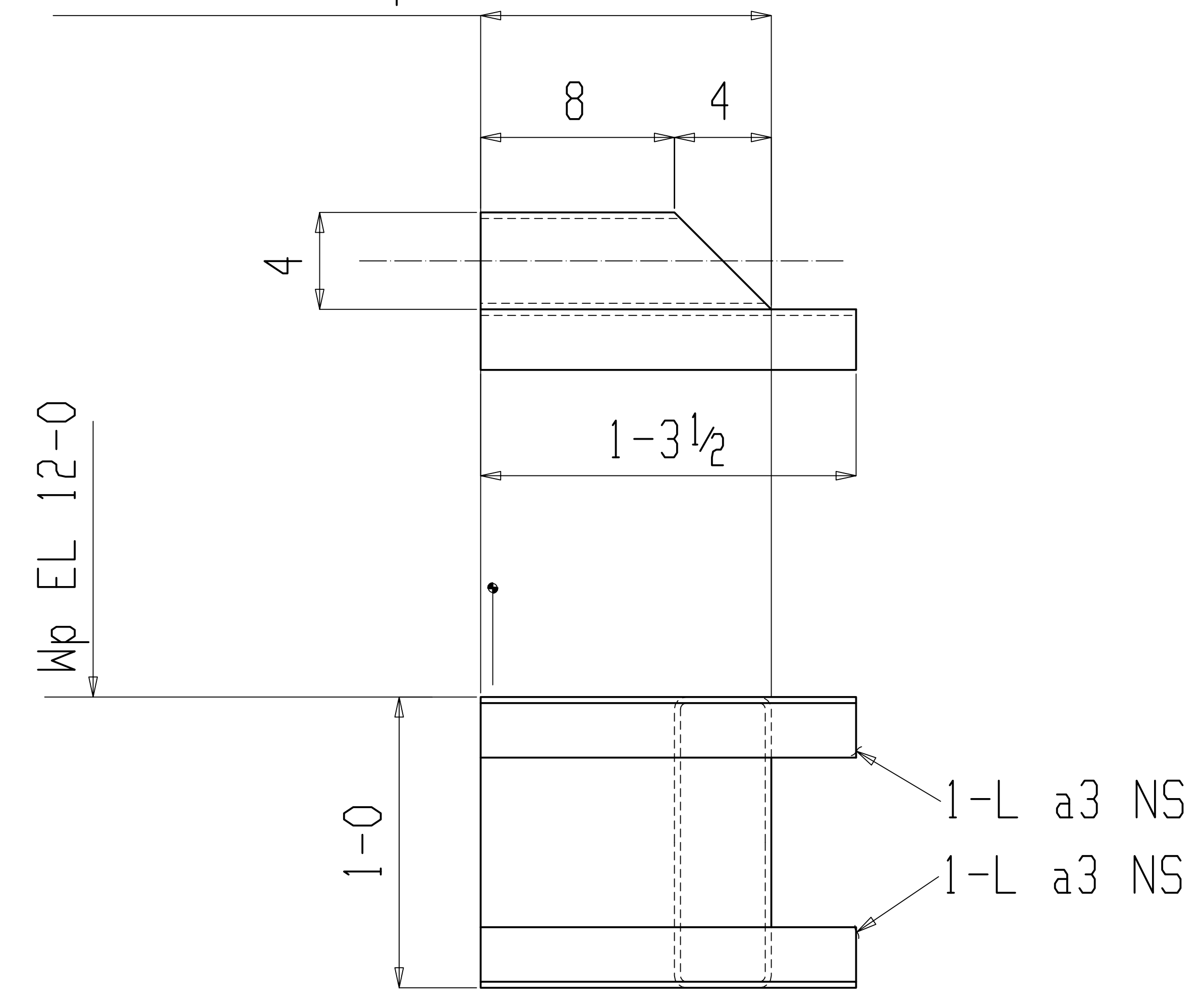


BILL OF MATERIAL

LINE #	QTY	PC MARK	DESCRIPTION	LENGTH	REMARKS	WEIGHT TOTAL	ADVANCE MILL #
ONE	8B1		BEAM			36	
1	hss43		HSS12x4x1/4	1 0	A500B	26	
2	a3		L2 1/2x2 1/2x1/4	1 3 1/2	A36	11	

(1-HSS12x4x1/4x1-0) A500B 1-0 (P/P 1-2)



ONE BEAM 8B1



SHOP BILL NO.		JOB Shake Shack - Atlanta, GA	
MADE BY JORDAN MILLER		CHECKED BY	DATE \$DATE
ARCH		CONT	
DWG. NAME	8B1	DWG. NO.	