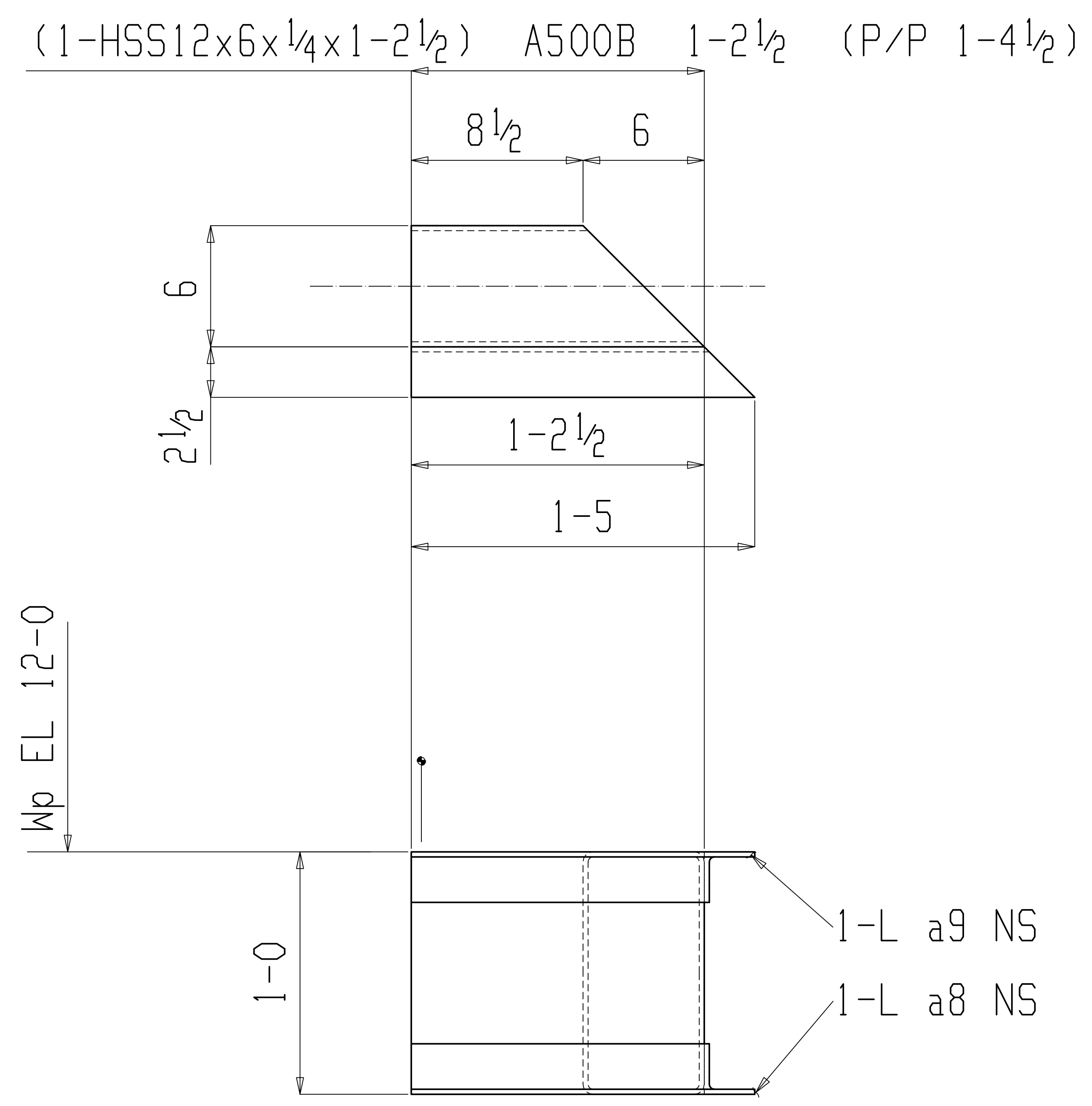
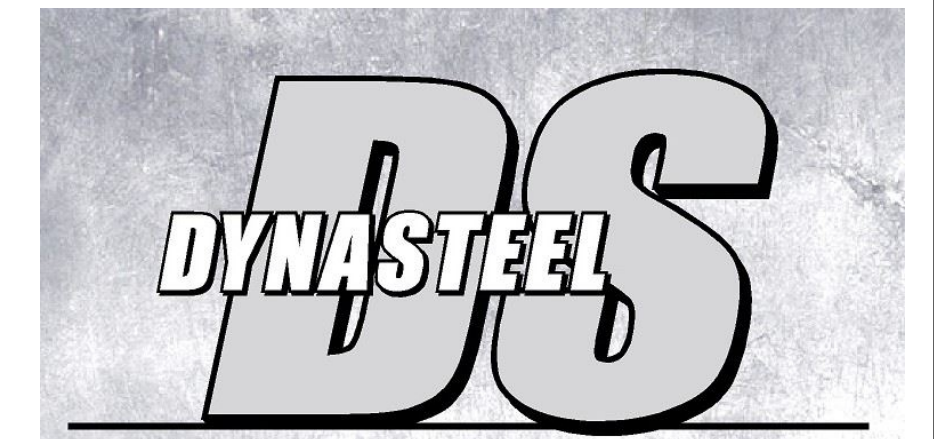


BILL OF MATERIAL

LINE #	QTY	PC MARK	DESCRIPTION	LENGTH	REMARKS	WEIGHT TOTAL	ADVANCE MILL #
ONE	19B1		BEAM			47	
	1	hss48	HSS12x6x1/4	1 2 1/2	A500B	35	
	1	a8	L2 1/2 x 2 1/2 x 1/4	1 5	A36	6	
	1	a9	L2 1/2 x 2 1/2 x 1/4	1 5	A36	6	



ONE BEAM 19B1



SHOP BILL NO.	JOB	Shake Shack - Atlanta, GA	
	MADE BY	JORDAN MILLER	CHECKED BY DATE \$DATE
	ARCH		
	CONT		
	DWG. NAME	19B1	DWG. NO.