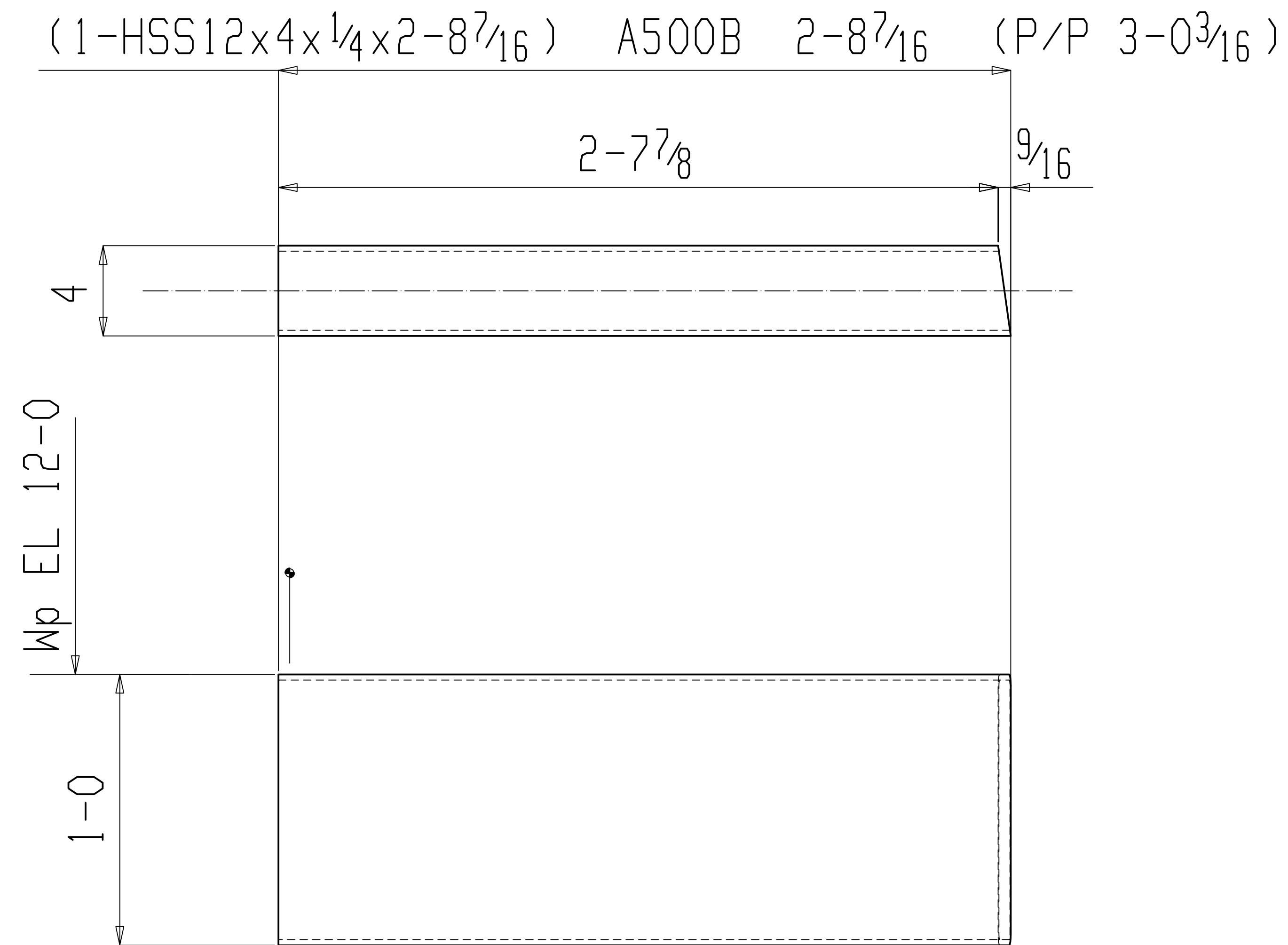


BILL OF MATERIAL

LINE #	QTY	PC MARK	DESCRIPTION	LENGTH	REMARKS	WEIGHT TOTAL	ADVANCE MILL #
ONE	12B1		BEAM			70	
1	hss46		HSS12x4x1/4	2 - 8 ⁷ / ₁₆	A500B	70	



ONE BEAM 12B1



SHOP BILL NO.	JOB	Shake Shack - Atlanta, GA	
	MADE BY	JORDAN MILLER	CHECKED BY DATE \$DATE
	ARCH		
	CONT		
	DWG. NAME	12B1	DWG. NO.