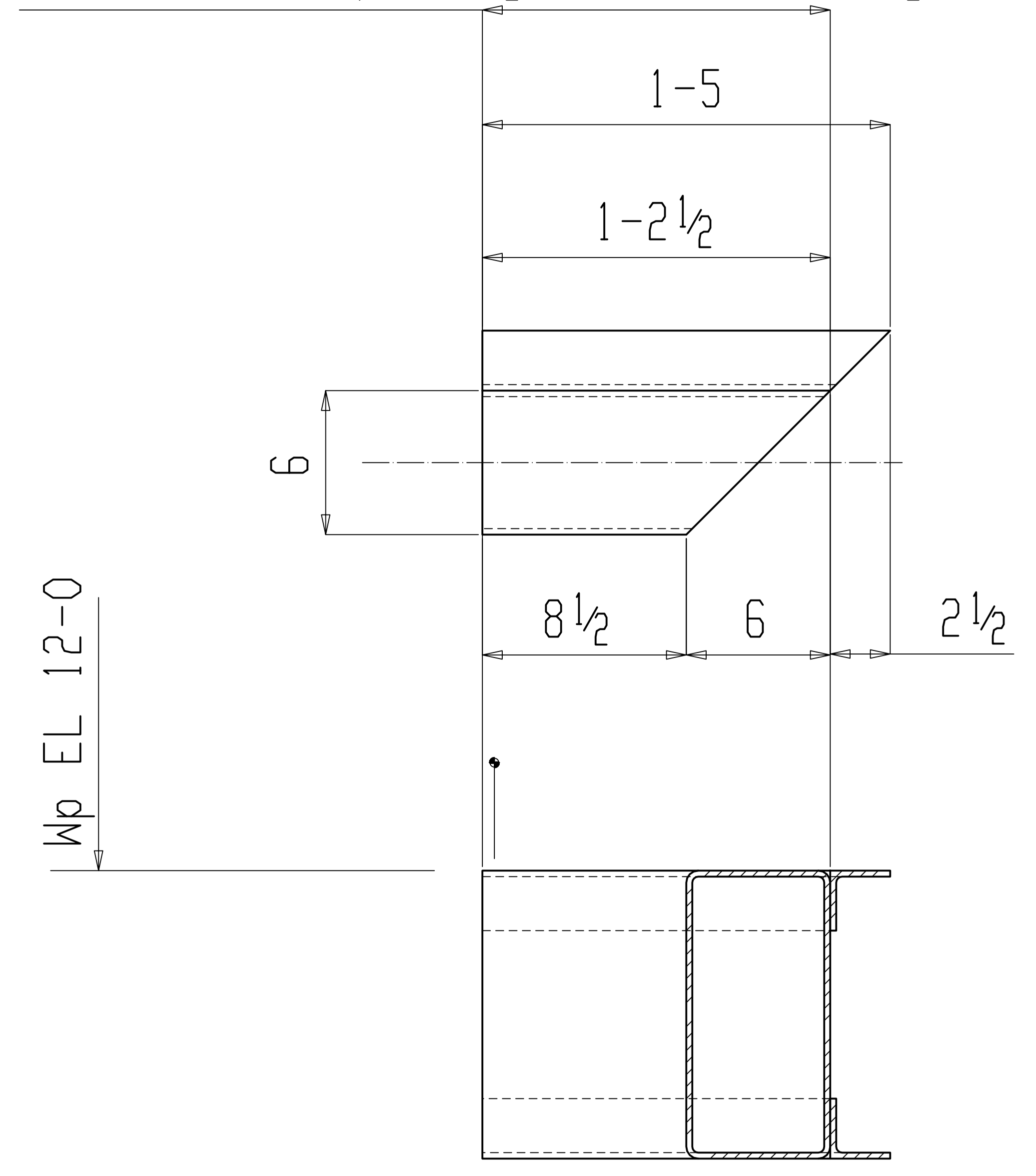


BILL OF MATERIAL

LINE #	QTY	PC MARK	DESCRIPTION	LENGTH	REMARKS	WEIGHT TOTAL	ADVANCE MILL #
	ONE	15B1	BEAM			47	
	1	hss47	HSS12x6x1/4	1-2 1/2	A500B	35	
	1	a8	L2 1/2 x 2 1/2 x 1/4	1-5	A36	6	
	1	a9	L2 1/2 x 2 1/2 x 1/4	1-5	A36	6	

(1-HSS12x6x1/4x1-2 1/2) A500B 1-2 1/2 (P/P 1-4 1/2)



ONE BEAM 15B1



SHOP BILL NO.	JOB	Shake Shack - Atlanta, GA	
	MADE BY	JORDAN MILLER	CHECKED BY DATE \$DATE
	ARCH		
	CONT		
	DWG. NAME	15B1	DWG. NO.