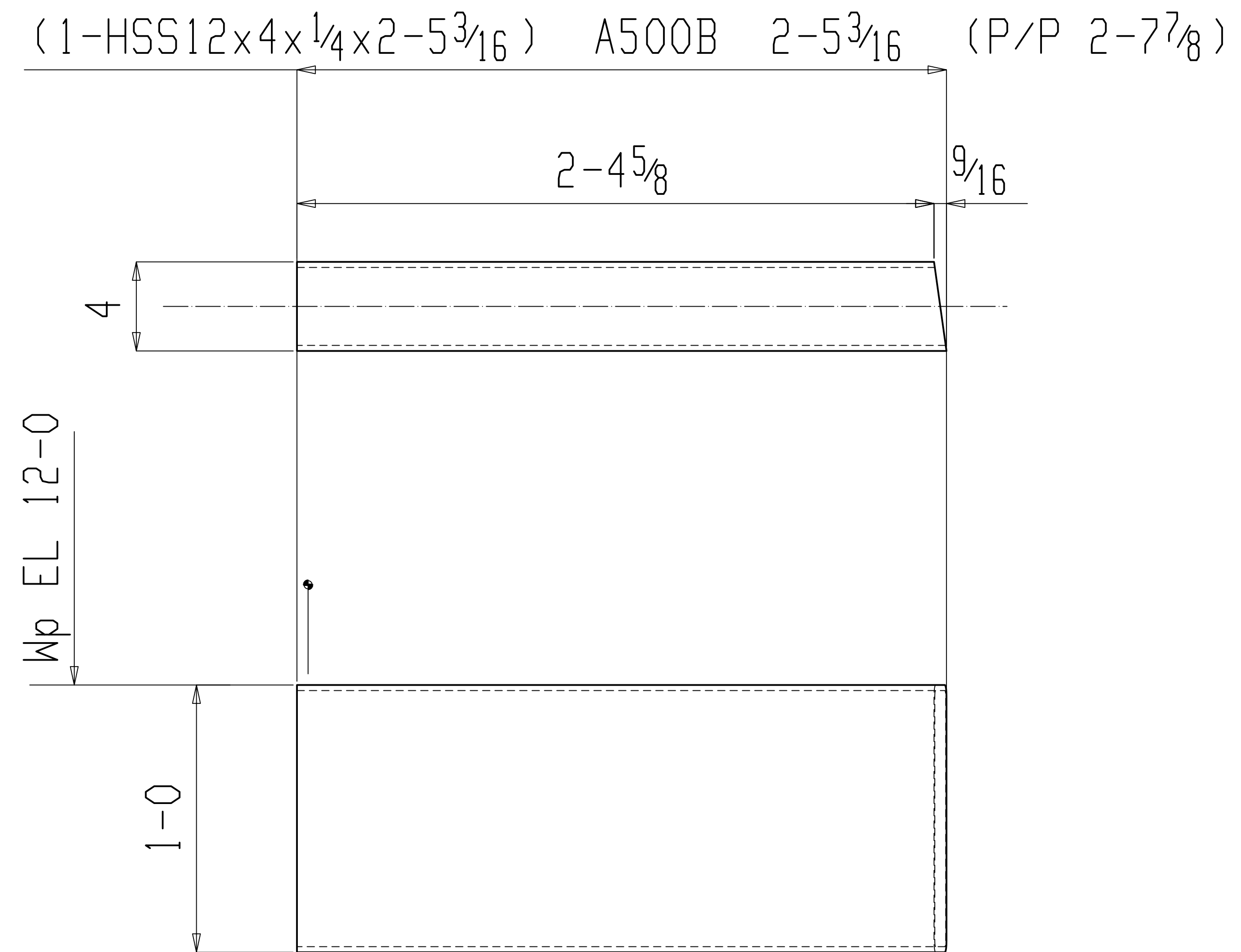


BILL OF MATERIAL

LINE #	QTY	PC	DESCRIPTION	LENGTH	REMARKS	WEIGHT TOTAL	ADVANCE MILL #
ONE	11B1		BEAM			63	
1	hss45		HSS12x4x1/4	2 5 ³ / ₁₆	A500B	63	



ONE BEAM 11B1



SHOP BILL NO.	JOB	Shake Shack - Atlanta, GA	
	MADE BY	JORDAN MILLER	CHECKED BY DATE \$DATE
	ARCH		
	CONT		
	DWG. NAME	11B1	DWG. NO.