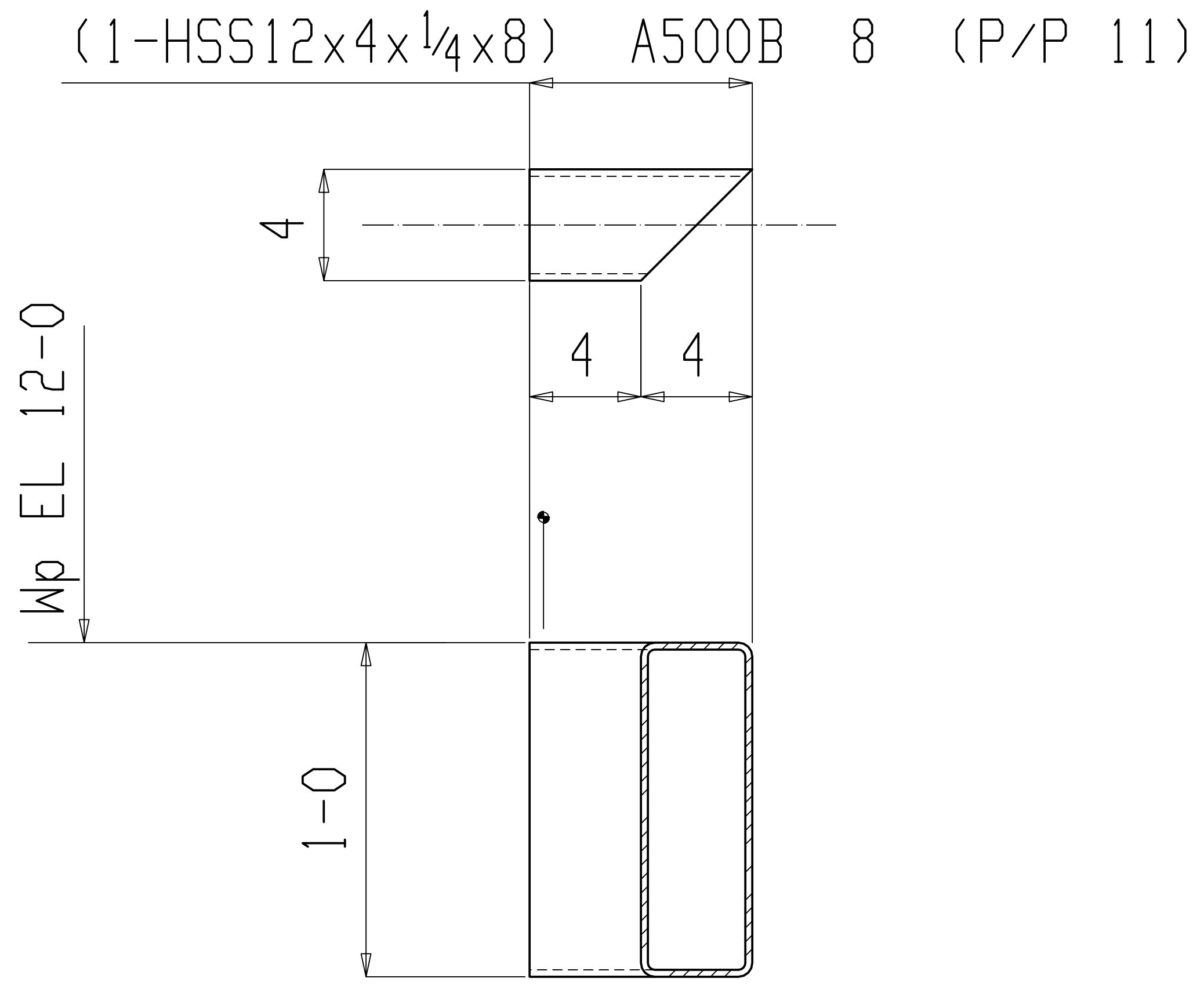
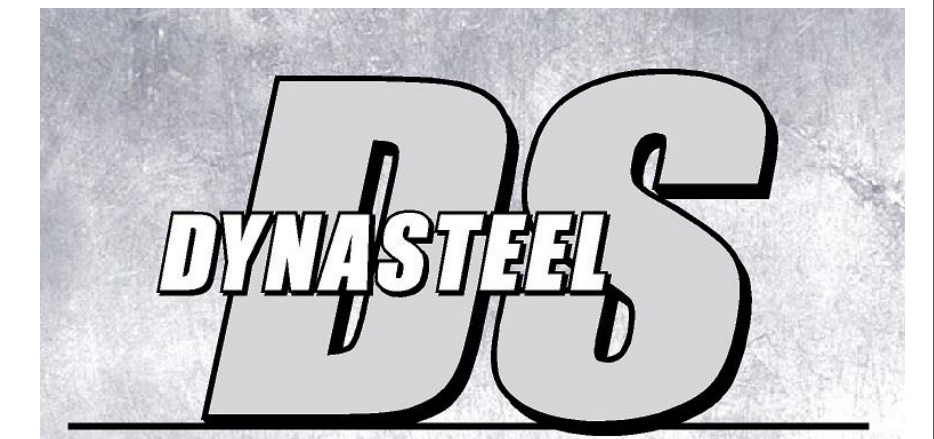


BILL OF MATERIAL

LINE #	QTY	PC MARK	DESCRIPTION	LENGTH	REMARKS	WEIGHT TOTAL	ADVANCE MILL #
	ONE	2B1	BEAM			17	
	1	hss44	HSS12x4x1/4	0 8	A500B	17	



ONE BEAM 2B1



SHOP BILL NO.	JOB	Shake Shack - Atlanta, GA	
	MADE BY	JORDAN MILLER	CHECKED BY DATE \$DATE
	ARCH		
	CONT		
	DWG. NAME	2B1	DWG. NO.