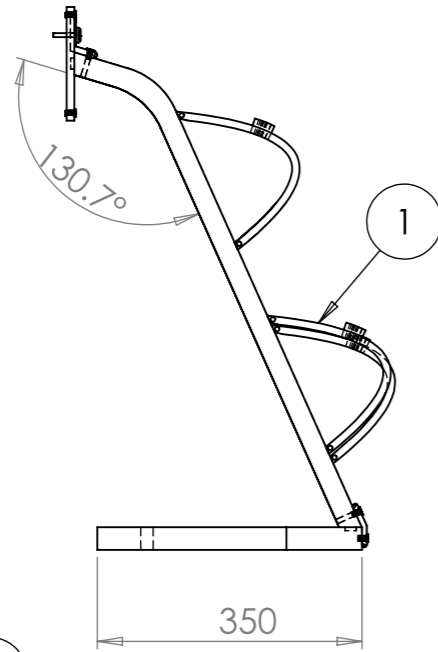
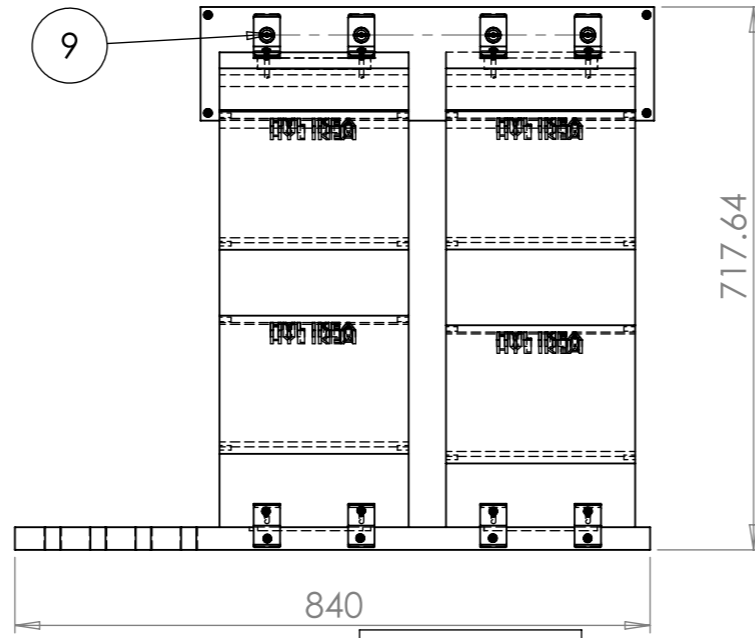


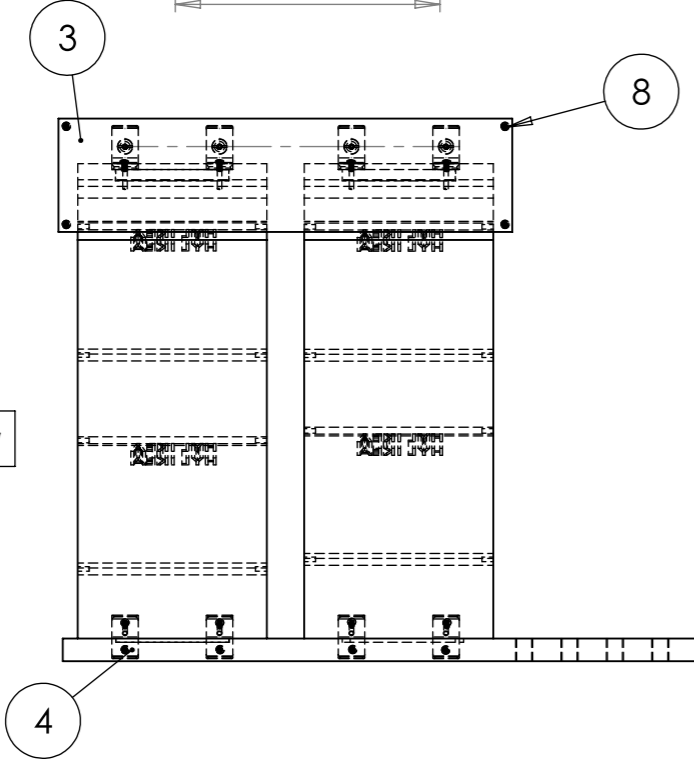
Side View



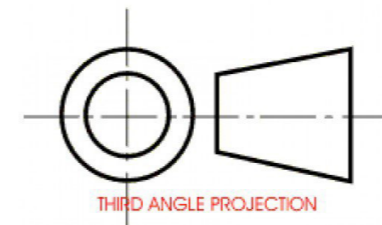
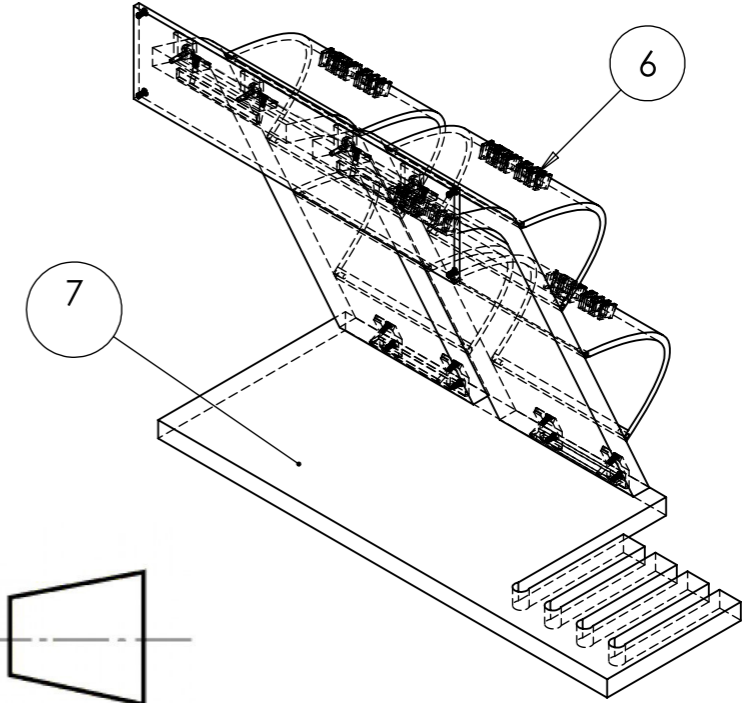
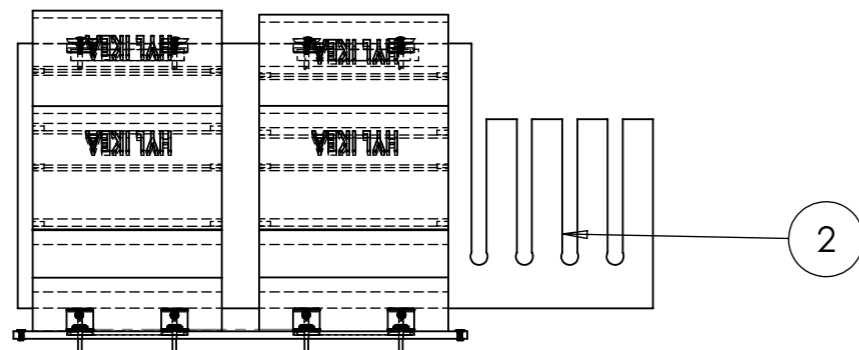
Front View



Back View



Top View



| Part No. | Description | Material | QTY. |
|----------|-------------------|----------------------------------|------|
| 1 | Wine Holder | High-density polyethylene (HDPE) | 4 |
| 2 | Wine Glass slot | HDPE | 4 |
| 3 | Wall board | HDPE | 1 |
| 4 | Bracket | Aluminium | 8 |
| 5 | Wine hold support | HDPE | 2 |
| 6 | Logo Brand | HDPE | 4 |
| 7 | Base | HDPE | 1 |
| 8 | screw 1 | Stainless Steel | 15 |
| 9 | screw 2 | Stainless Steel | 4 |

| | | | | | |
|---|--------------------|---------|--|----------------------|--------------|
| UNLESS OTHERWISE SPECIFIED: DIMENSIONS ARE IN MILLIMETERS SURFACE FINISH: TOLERANCES: LINEAR: ANGULAR: | | FINISH: | DEBURR AND BREAK SHARP EDGES | DO NOT SCALE DRAWING | REVISION |
| NAME | SIGNATURE | DATE | TITLE: | | |
| DRAWN | Chun Yin Harry Lau | 1 MAY | <h1>Dimension</h1> <h2>Ga Drawing full</h2> | | |
| CHK'D | | | | | |
| APPV'D | | | | | |
| MFG | | | | | |
| Q.A | | | MATERIAL: | DWG NO. | A3 |
| | | | High Density Polyethylene | Ga Drawing full | |
| | | | WEIGHT: | SCALE:1:10 | SHEET 1 OF 1 |