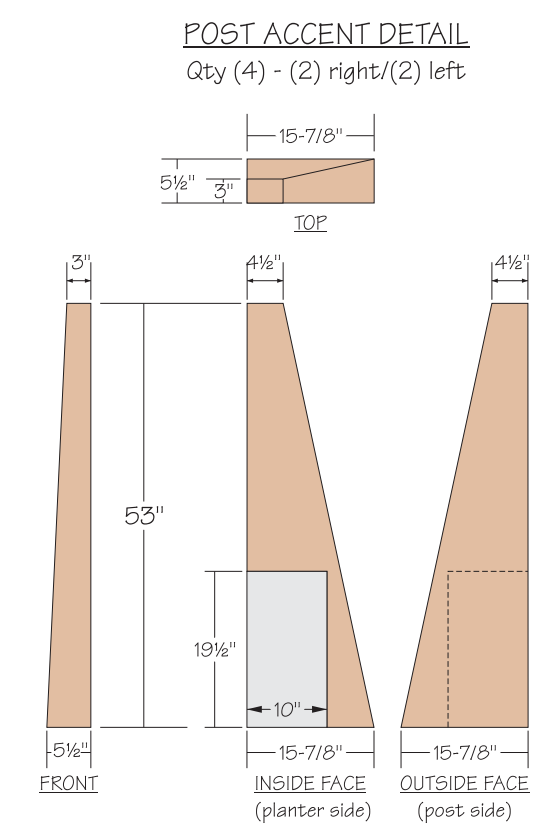
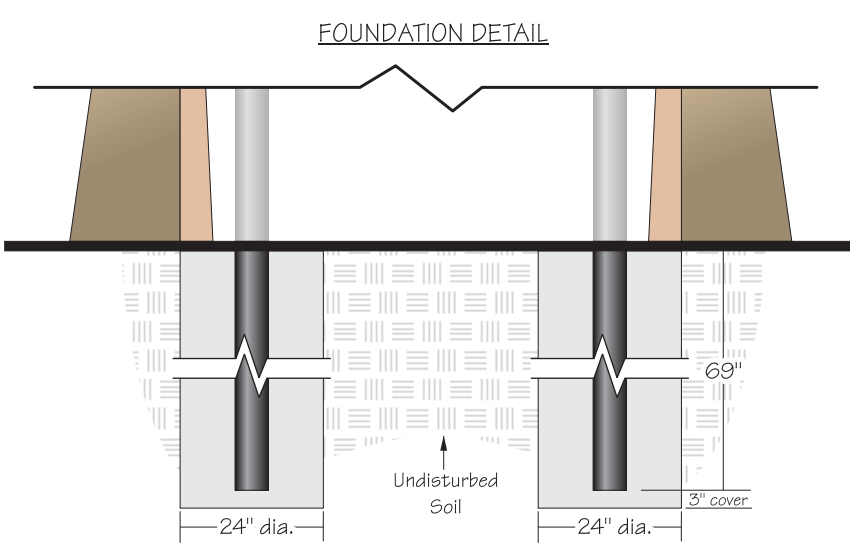
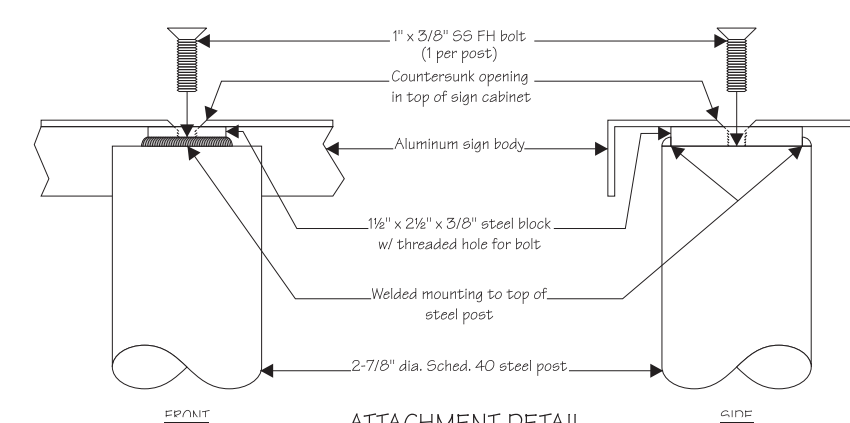
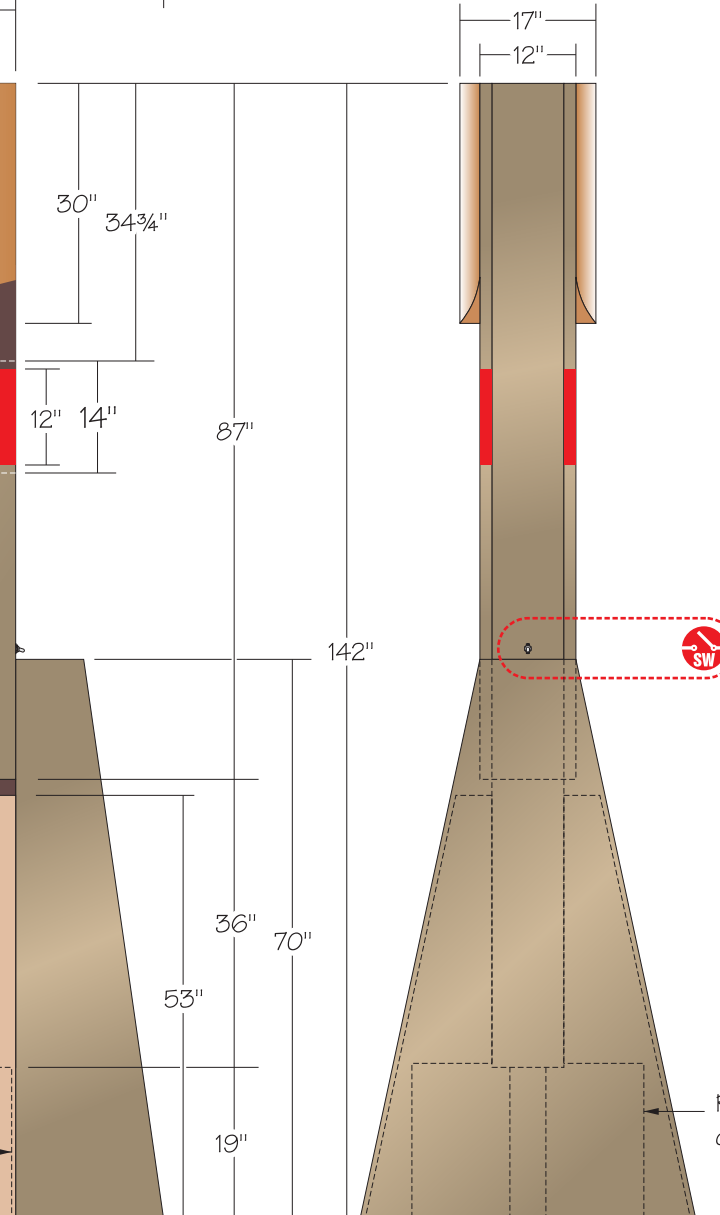
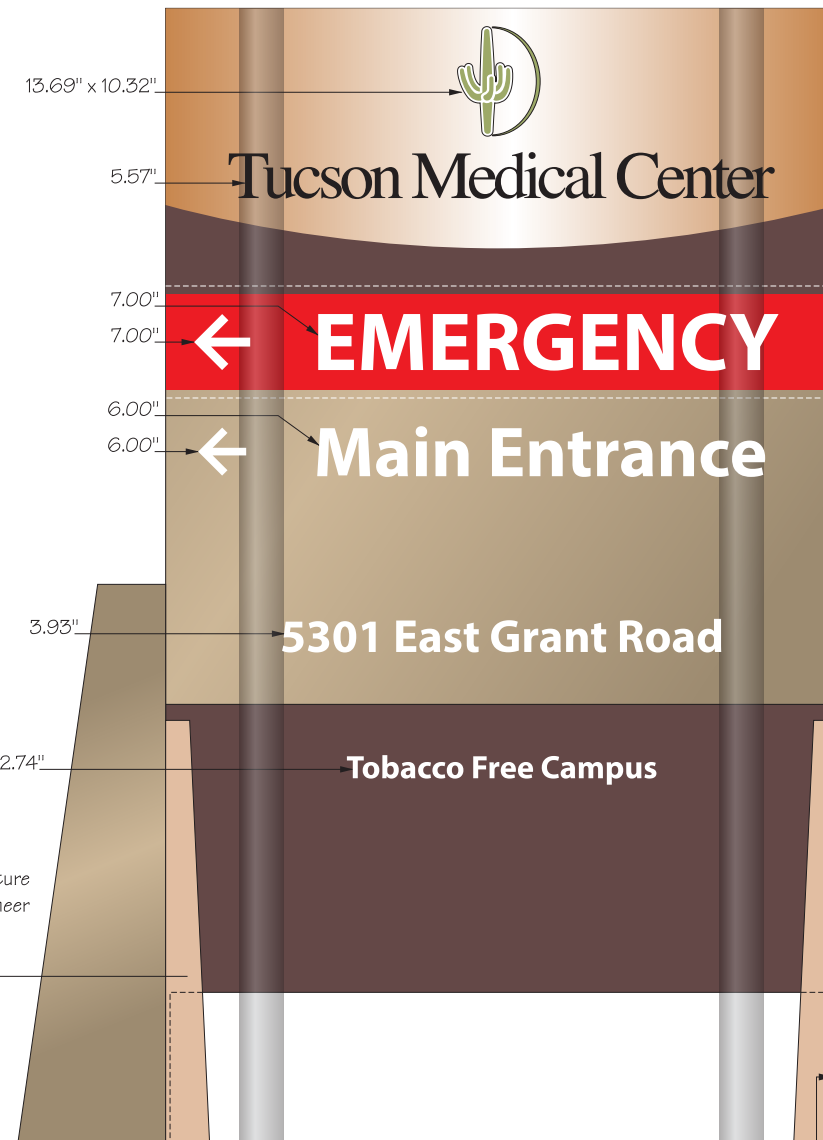
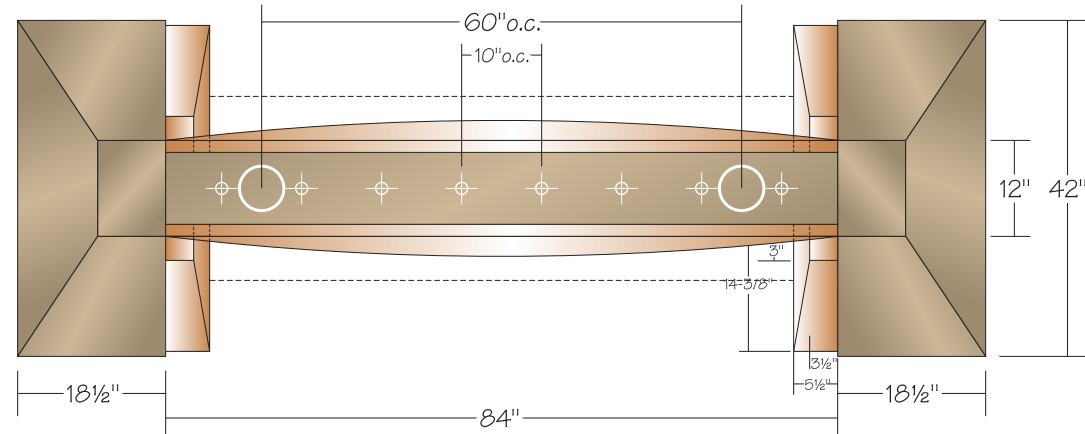


SERIES 12 MAIN ID - Single/Double Sided - Illuminated

- 87" x 84" SignComp series 12 hingebody extruded aluminum cabinet
- Dual 70" x 18½" x 42" trapezoid side extensions are fabricated aluminum
- Dual 53" x 5½" x 15-7/8" deep trapezoid accent posts are fabricated aluminum
- 36" x 84" x 9" fabricated aluminum base - stops 19" above grade
- 142" grade to top of sign
- Dual internal 5-9/16" dia. Sched. 40 steel posts - extended 69" for direct burial in concrete footers
- Hinged bleed retainers
- Header to have a translucent fiberglass face attached to retainer, w/ convex aluminum addition having routed logo backed w/ trans. White acrylic
- Convex panel and top of sign to be painted MAP 46253 SP Copper
- Copy has first surface 3M Smoke Gray vinyl
- Cactus logo is digitally printed PMS 5767 trans Green

- 14" x 84" x 1/8" White translucent fiberglass EMERGENCY panel - panel is oversized 1" top and bottom for maximum illuminated area
- 12" x 84" Illuminated EMERGENCY are is surface applied Calon #33 Red trans reverse cut to illuminate White letters on a Red background
- 1" area just above EMERGENCY panel to be opaque painted D&E 6048 Pine Cone Brown
- 1" area below EMERGENCY panel to be opaque painted D&E 6208 Tuscan Mosaic Tan
- Panels are routed and backed w/ 1/8" White trans. acrylic
- Faces, returns, and accent ends are painted D&E 6208 Tuscan Mosaic Tan
- Accent posts are painted MAP 46253 SP Copper
- Base is painted D&E 6208 Pine Cone Brown
- **All electrical service to be 277v**
- **Illumination by (8) 84" T12 HO fluorescent lamps**
- **Estimated service load is 2.88A @ 277v**



SIGN TYPE A

Recess for future concrete planter wall

Recess for future concrete planter wall