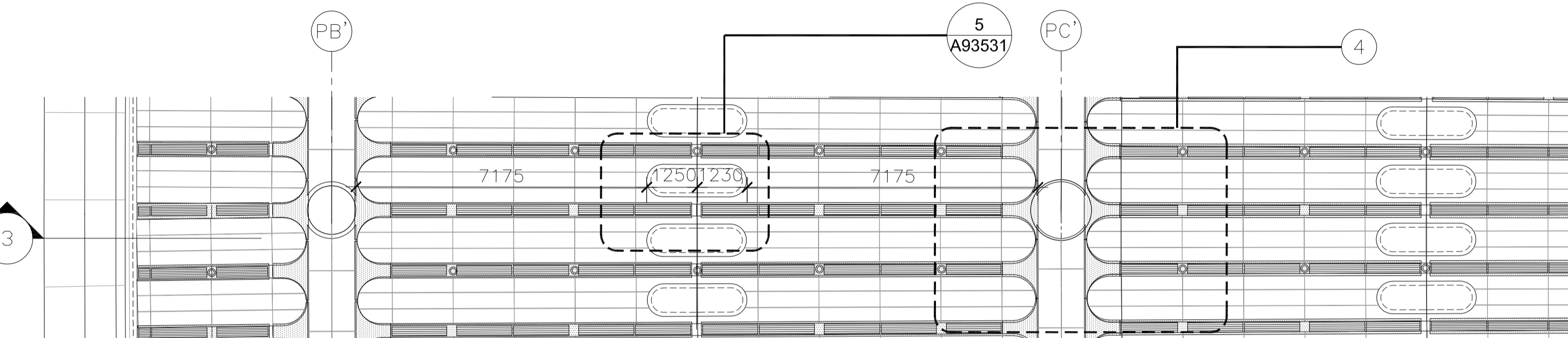
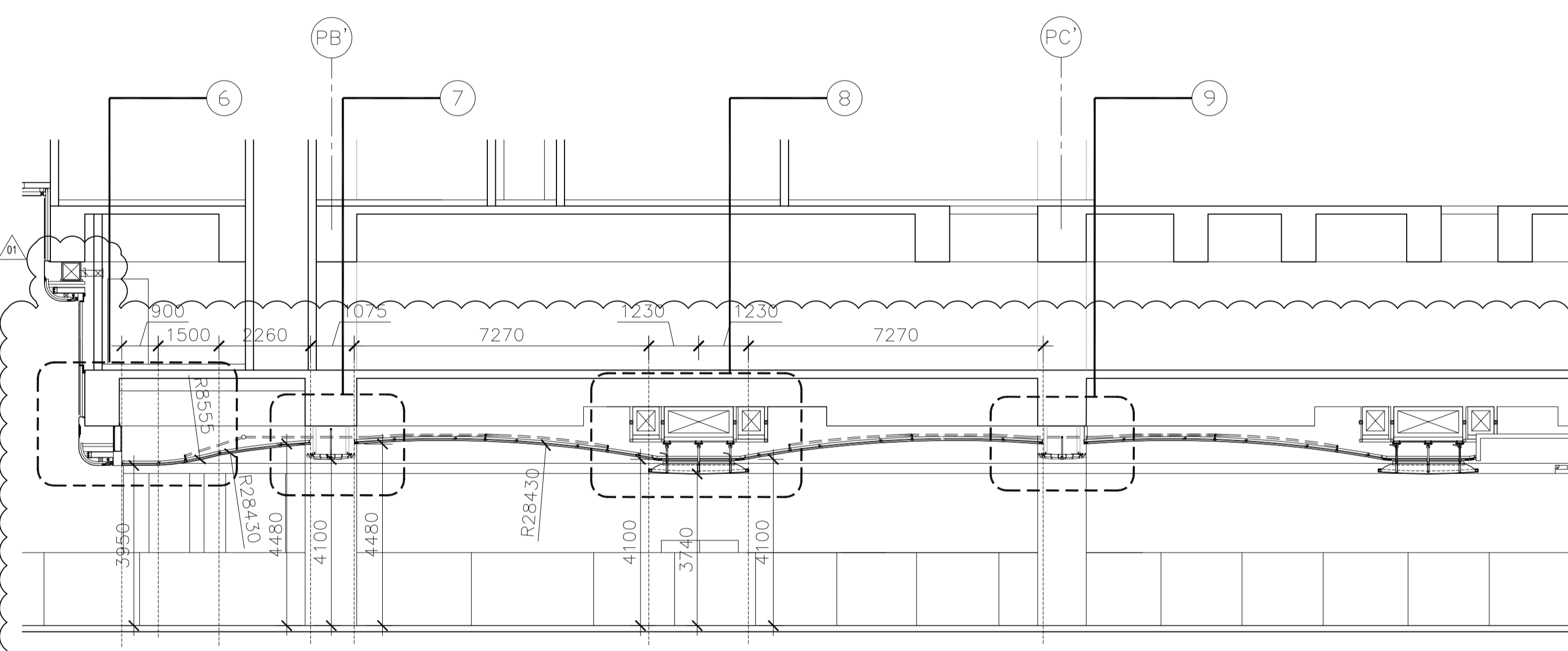


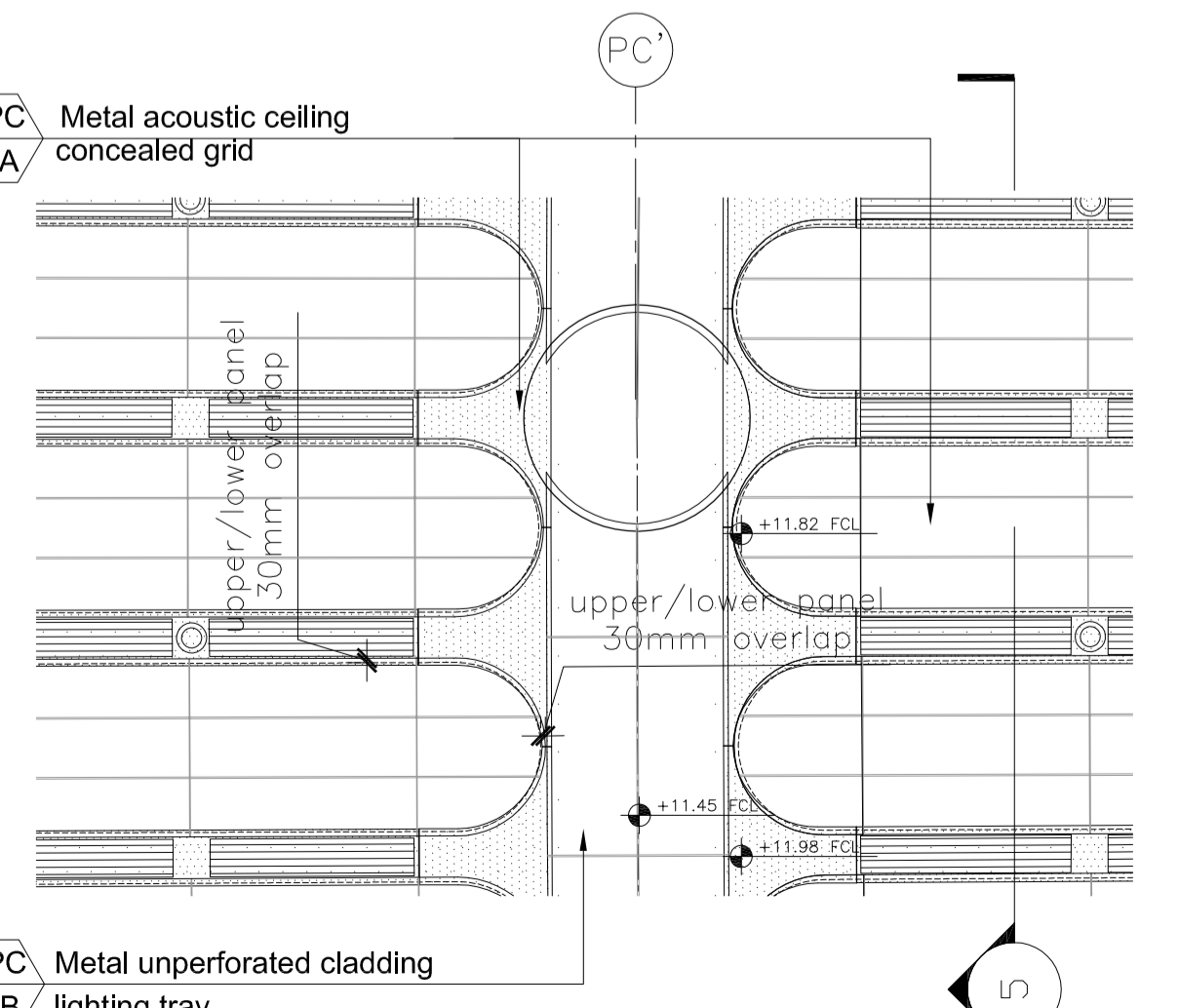
1 REFLECTED CEILING PLAN-ACOUSTIC PANEL TYPE G01
SCALE 1:100



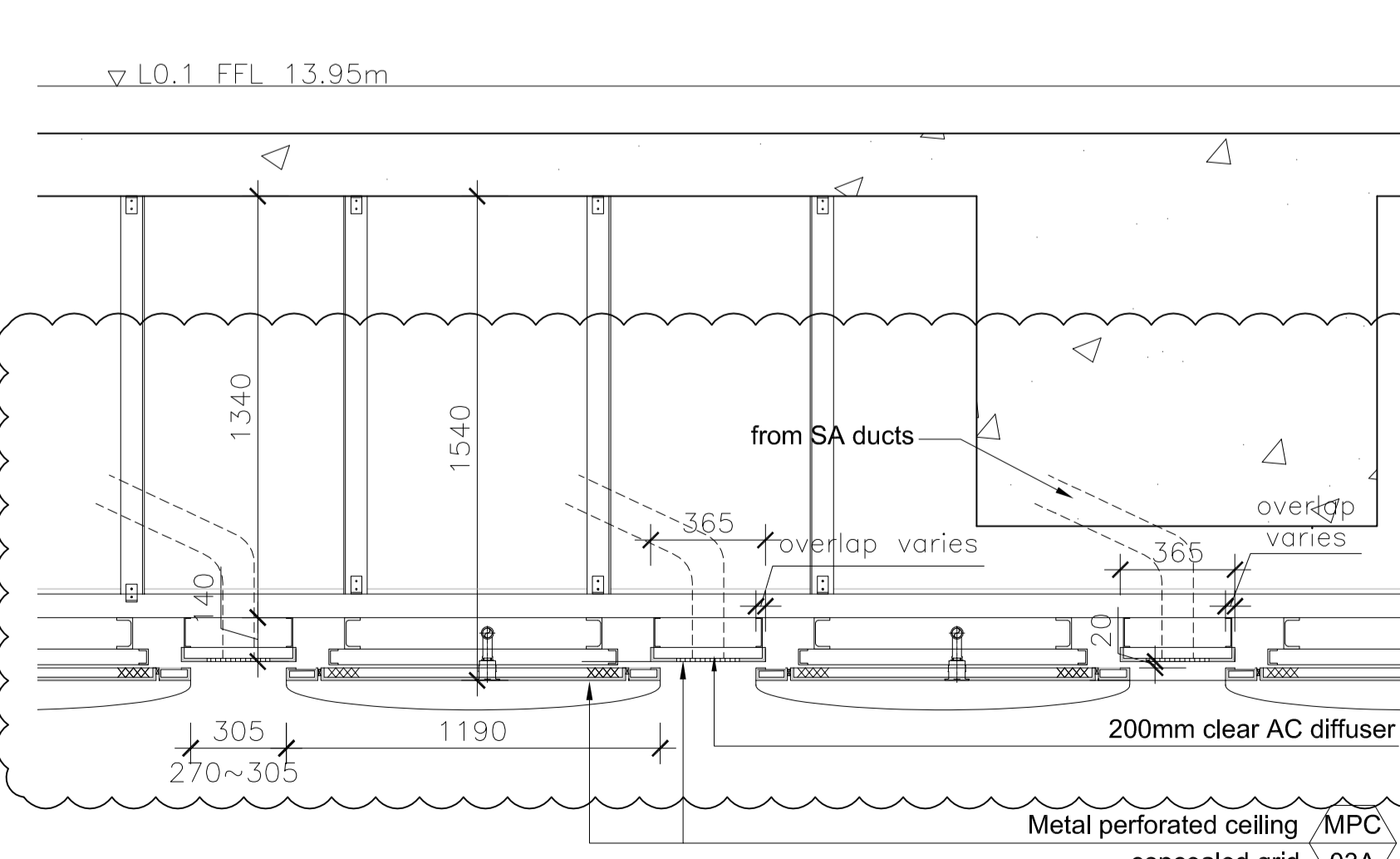
2 REFLECTED CEILING PLAN-ACOUSTIC PANEL TYPE G02
SCALE 1:100



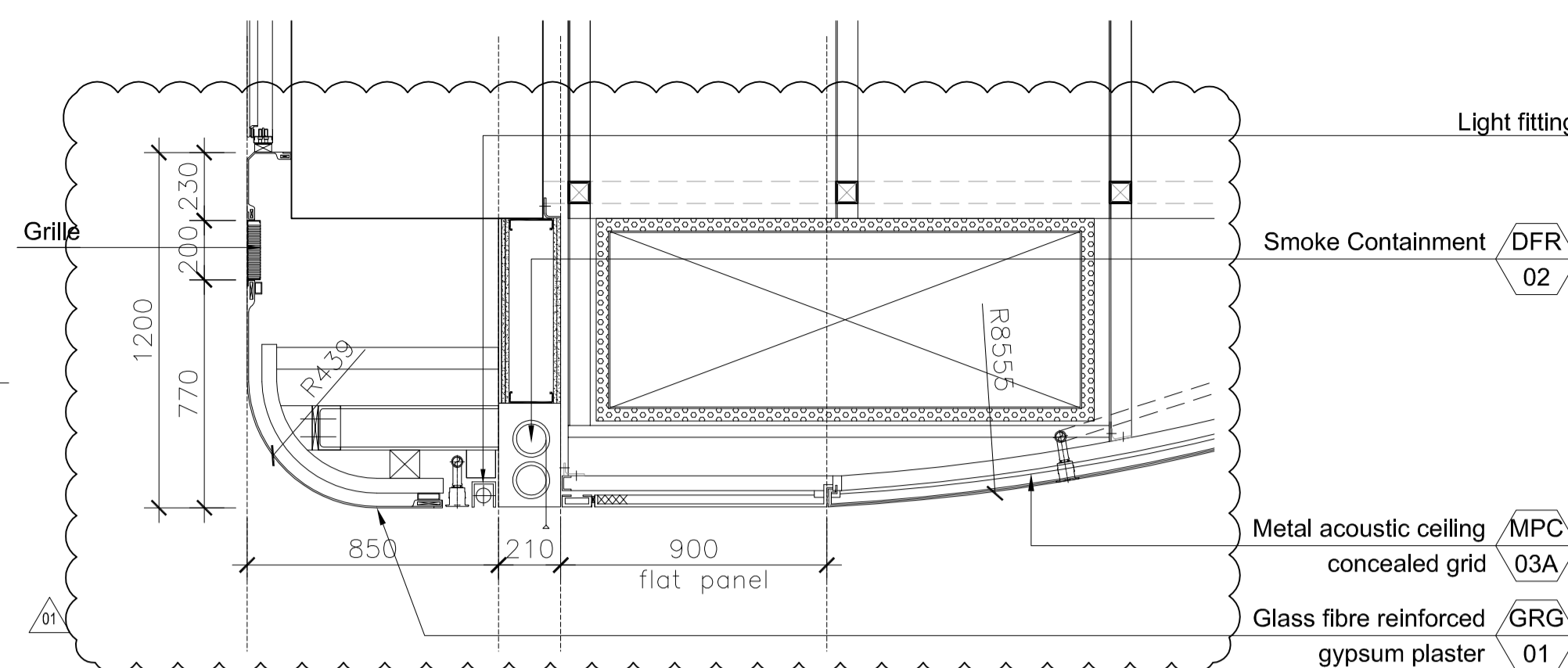
3 SECTION OF ACOUSTIC PANEL (TYPE G02)
SCALE 1:100



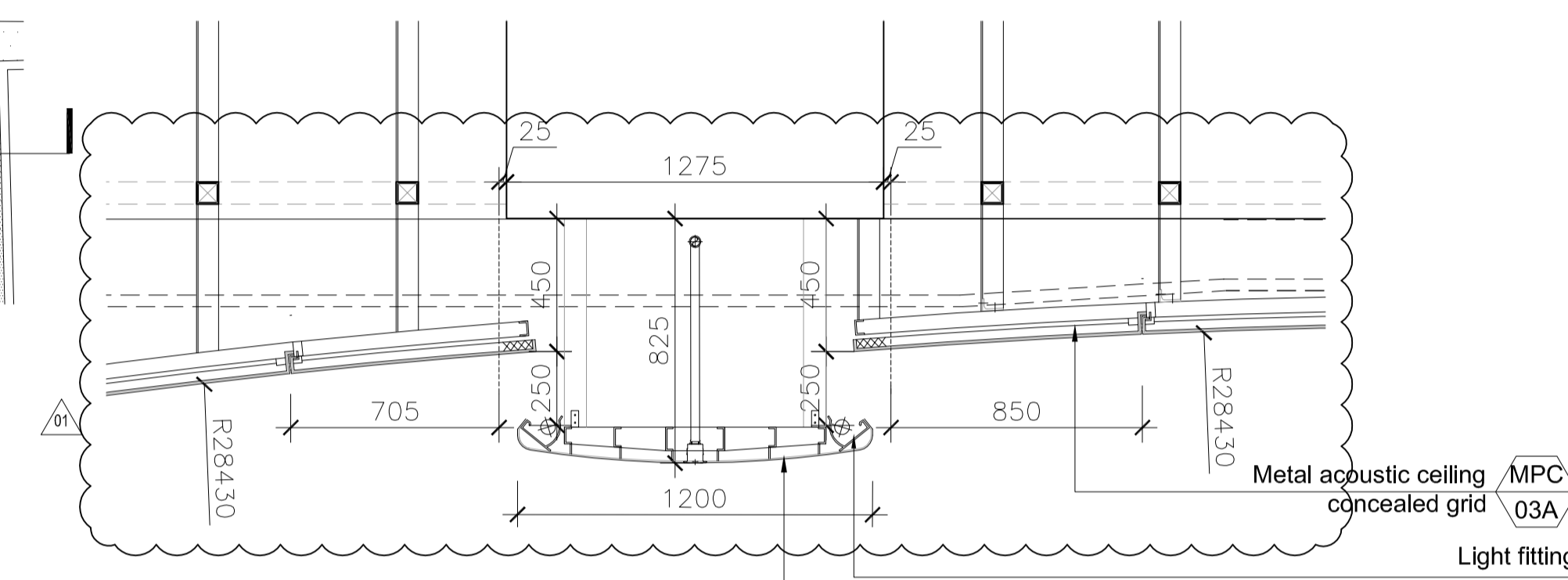
4 SECTION ACROSS ACOUSTIC CEILING PANEL
SCALE 1:50



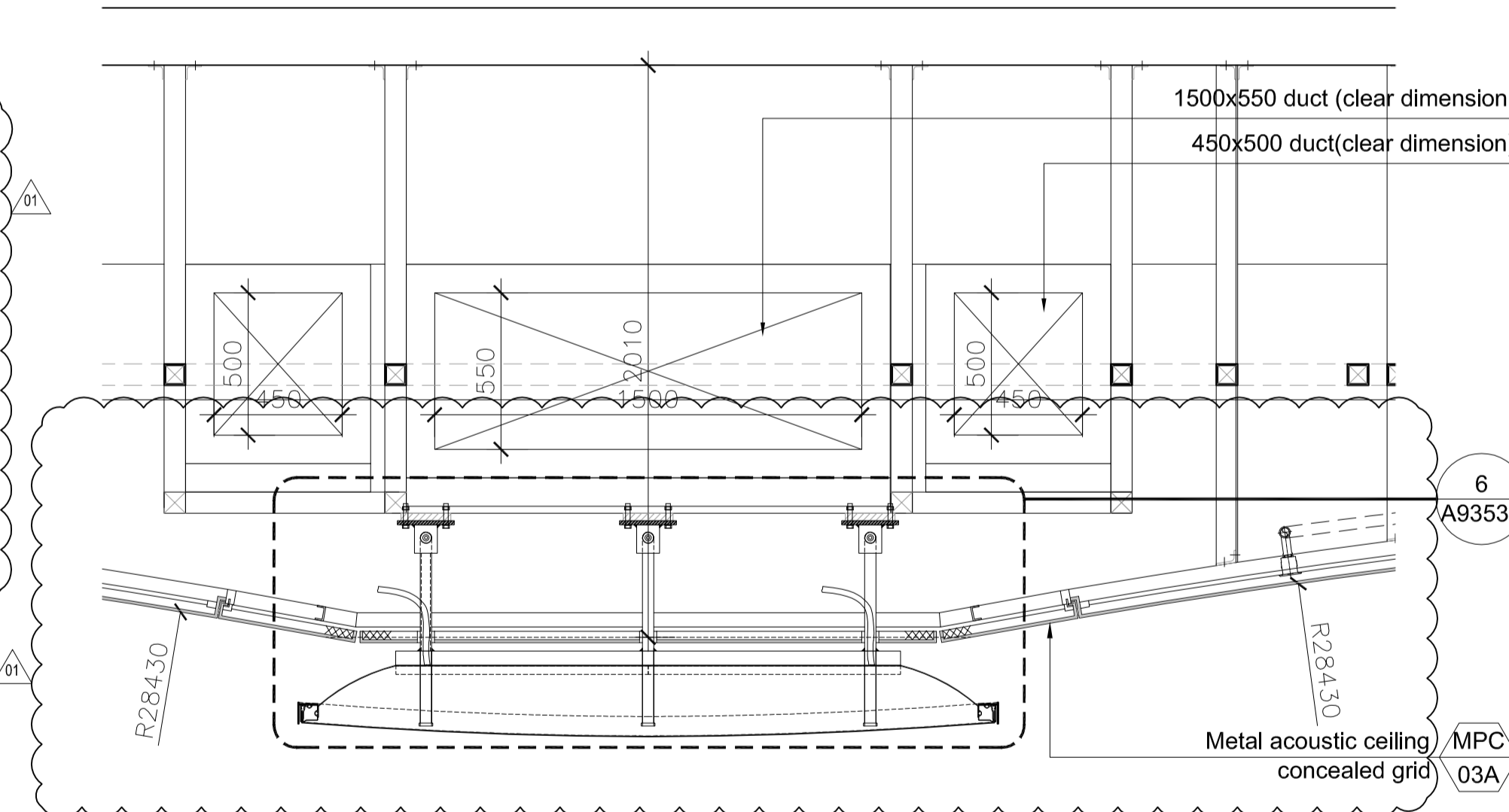
5 EDGE SECTION OF ACOUSTIC PANEL (TYPE G01, G02) AND LIGHTING TRAY
SCALE 1:20



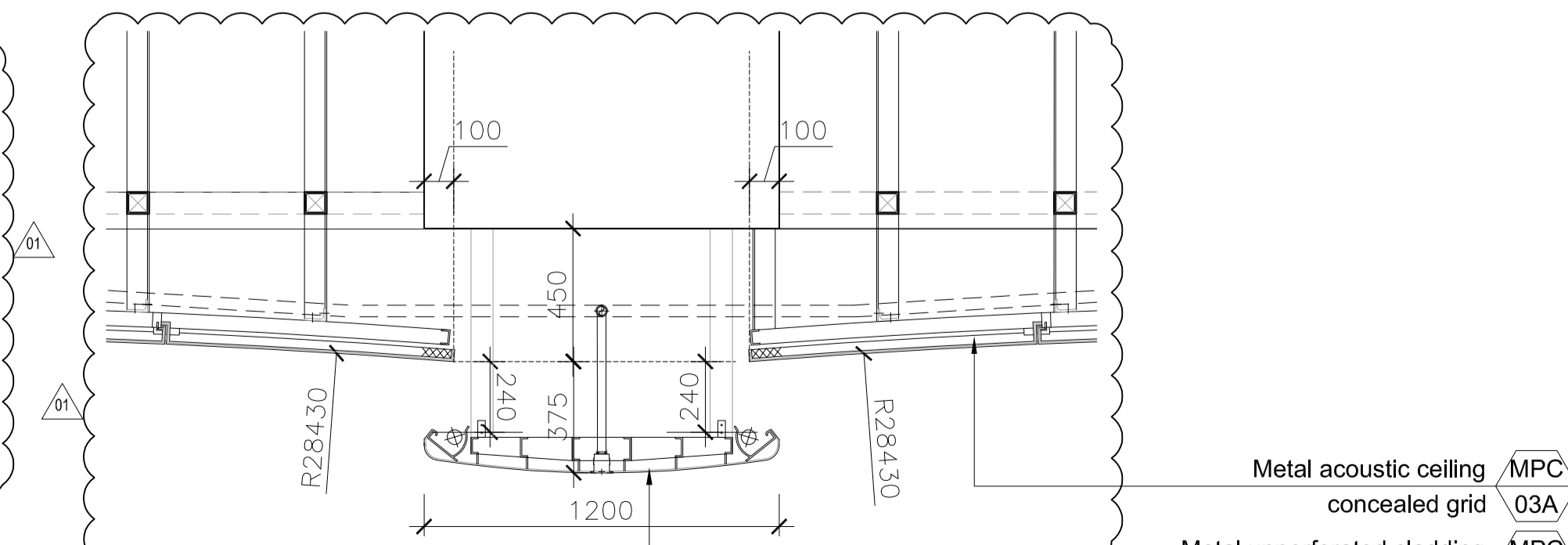
6 EDGE SECTION OF GRG AND ACOUSTIC PANEL (TYPE G01, G02)
SCALE 1:20



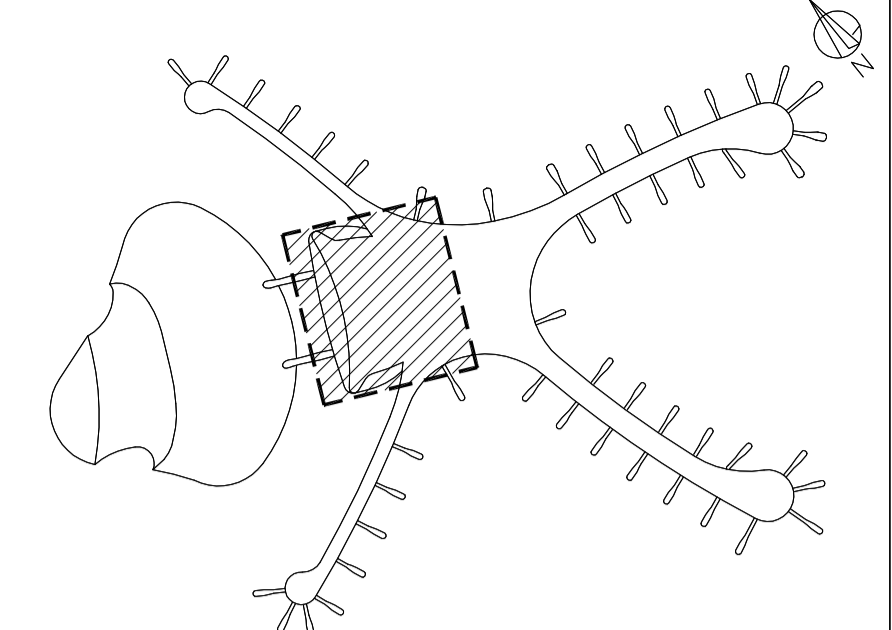
7 EDGE SECTION OF ACOUSTIC PANEL (TYPE G01, G02) AND LIGHTING TRAY
SCALE 1:20



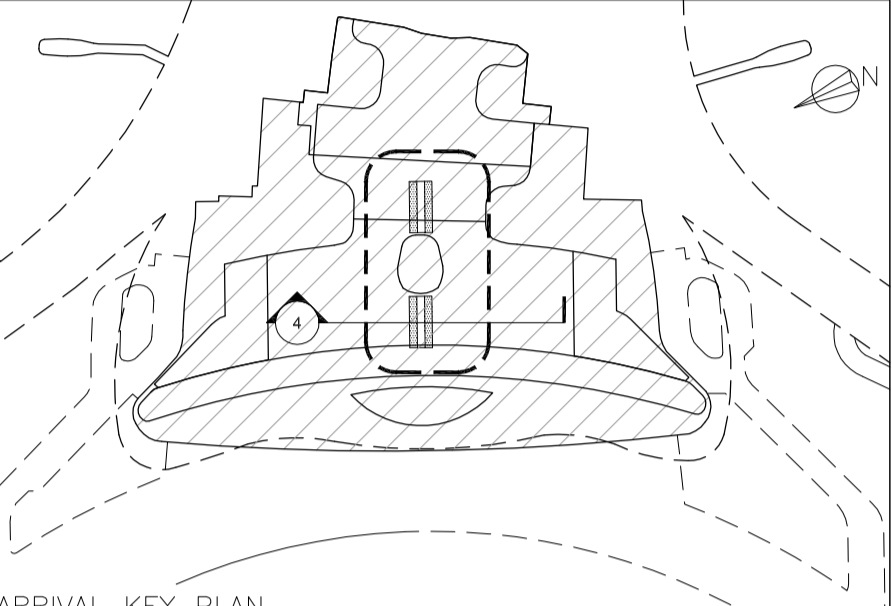
8 SECTION OF ACOUSTIC PANEL (TYPE G01, G02) AND LOZENGE
SCALE 1:20



9 EDGE SECTION OF ACOUSTIC PANEL (TYPE G01, G02) AND LIGHTING TRAY
SCALE 1:20



KEY PLAN
NOTES:
FOR EQUIPMENT SYMBOLS REFER TO ARCHITECTURE SYMBOLS SHEET DRAWING MTC-A-00-TB-1-5-00-00-00.051



ARRIVAL KEY PLAN

GENERAL NOTES:
1. DO NOT SCALE DRAWINGS. DIMENSIONS GOVERN.
2. ALL DIMENSIONS ARE IN MILLIMETERS UNLESS NOTED OTHERWISE.
3. FOR MATERIALS KEY DESCRIPTIONS REFER TO DRAWING NUMBER MTC-A-00-TB-1-5-00-00-00.010
4. FOR FIRE COMPARTMENT DETAILS REFER TO G04 DRAWING SERIES.
5. FOR EGRESS AND EVACUATION ZONES REFER TO G04 DRAWING SERIES.
6. KPF SHALL BE NOTIFIED IN WRITING OF ANY DISCREPANCIES.

01	25.02.14	BULLETIN 47
00	15.07.12	ISSUED FOR CONSTRUCTION
REV.	DATE	DESCRIPTION

SUBMITTAL REFERENCE
ISSUED FOR CONSTRUCTION

CLIENT/OWNER
ADAC ABU DHABI AIRPORTS COMPANY
شركة أبوظبي للمطارات
ABU DHABI AIRPORTS COMPANY

DESIGN CONSULTANT
KPF
Kohn Pedersen Fox Associates
International PA
Architects and Planning Consultants
111 Madison Avenue
New York, NY 10017
Tel: +1 212 850 8000
Fax: +1 212 850 8001
www.kpf.com

SUB-CONSULTANT

PROJECT
ABU DHABI INTERNATIONAL AIRPORT
MIDFIELD TERMINAL COMPLEX

DRAWING TITLE
PROCESSOR ARRIVAL
CEILING COMPONENTS -
ACOUSTIC PANEL ABOVE IMMIGRATION

SHEET NUMBER		MTC A 41 TB		L0.1 5.00 00.873 01	
DRW	DES	ISH	REL	PKG	REV
BY	BY	BY	BY	BY	DATE
KPF	MC	KF	JH		01.11.2009
SCALE AS SHOWN		PROJECT No.		WBS AUH.06.10.0401	