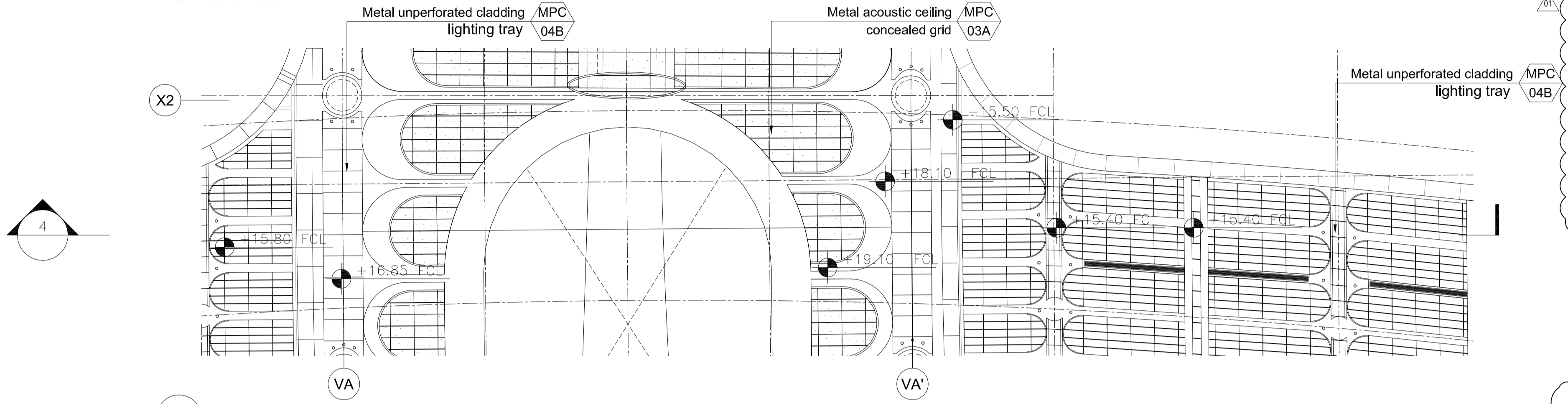
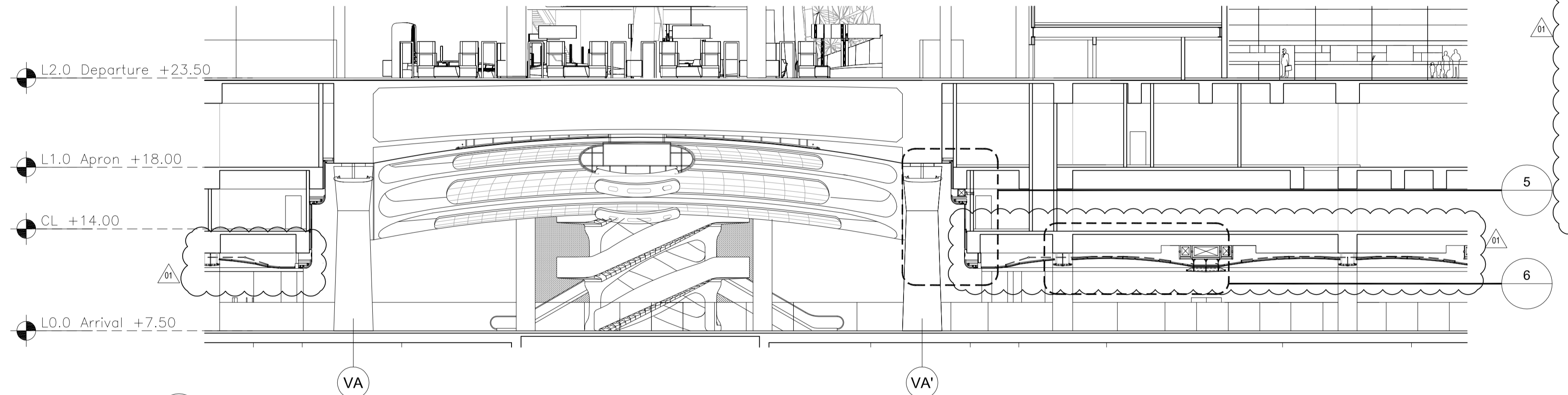


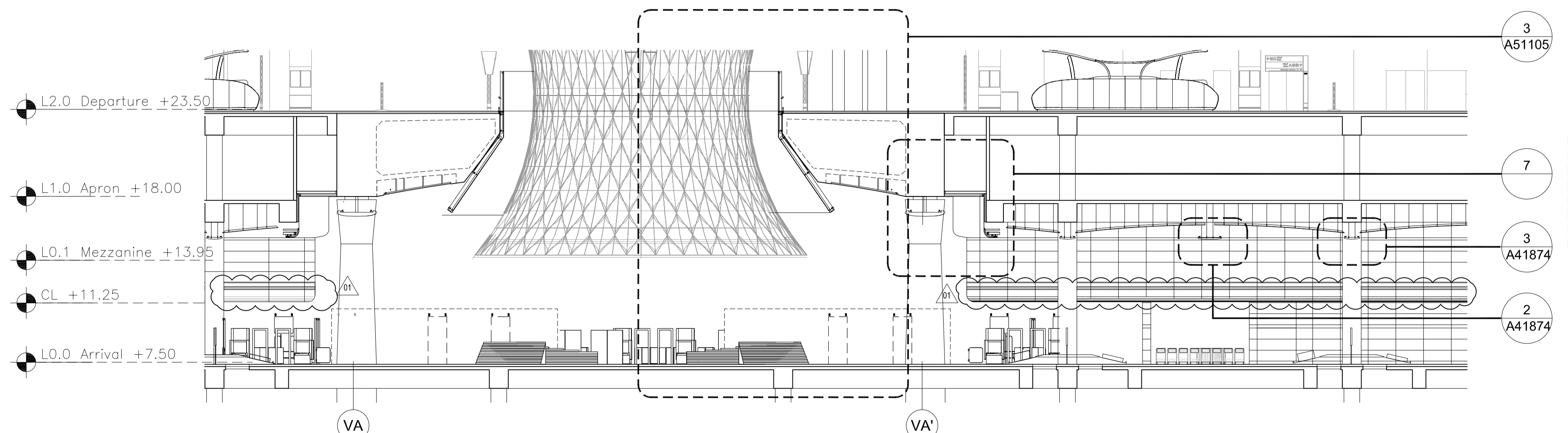
1 REFLECTED CEILING PLAN ACROSS IMMIGRATION LOBBY AT +4.0M AFFL  
SCALE 1:200



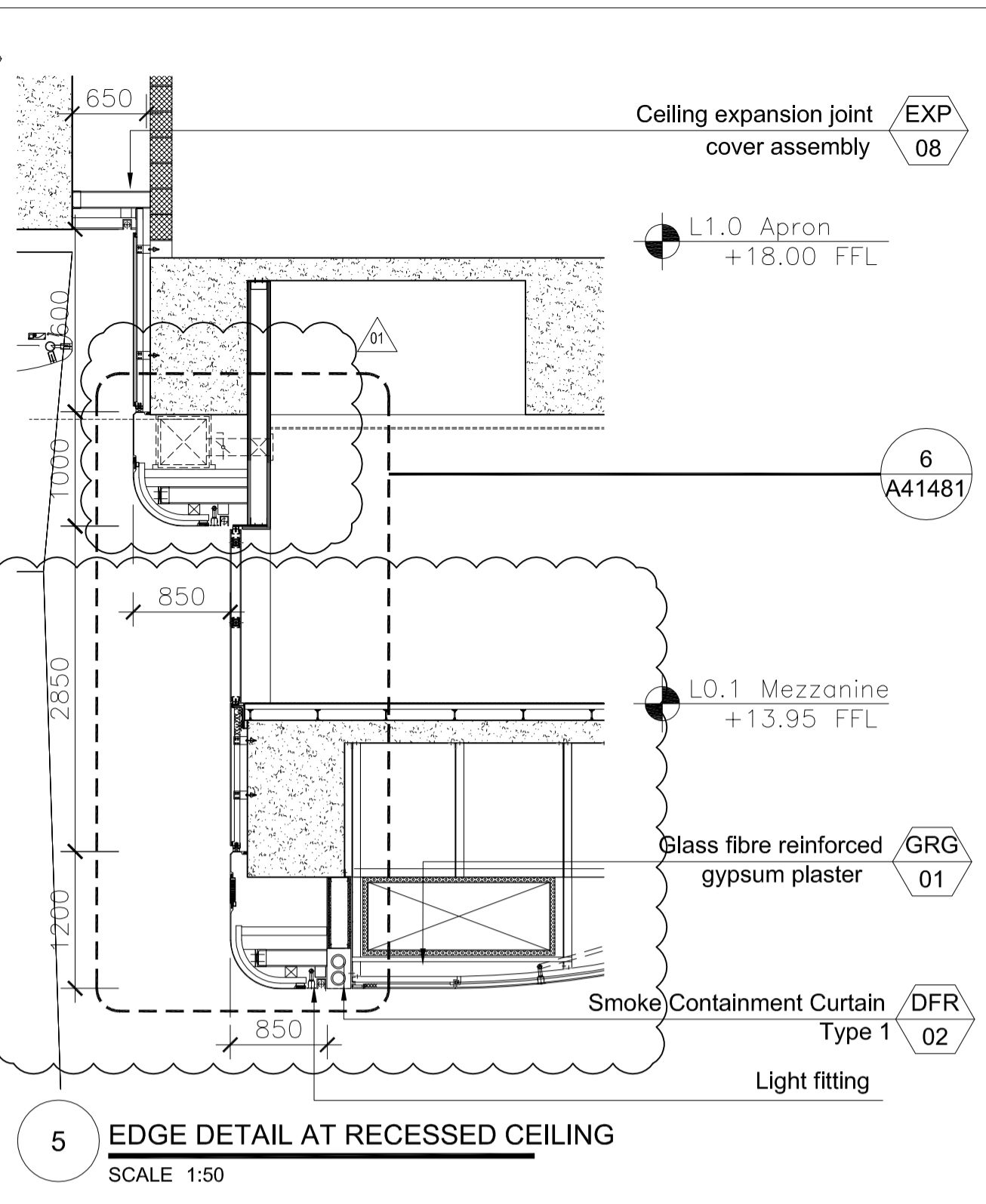
2 REFLECTED CEILING PLAN ACROSS WATER GARDEN AND BAGGAGE RECLAIM HALL AT +7.5M AFFL  
SCALE 1:200



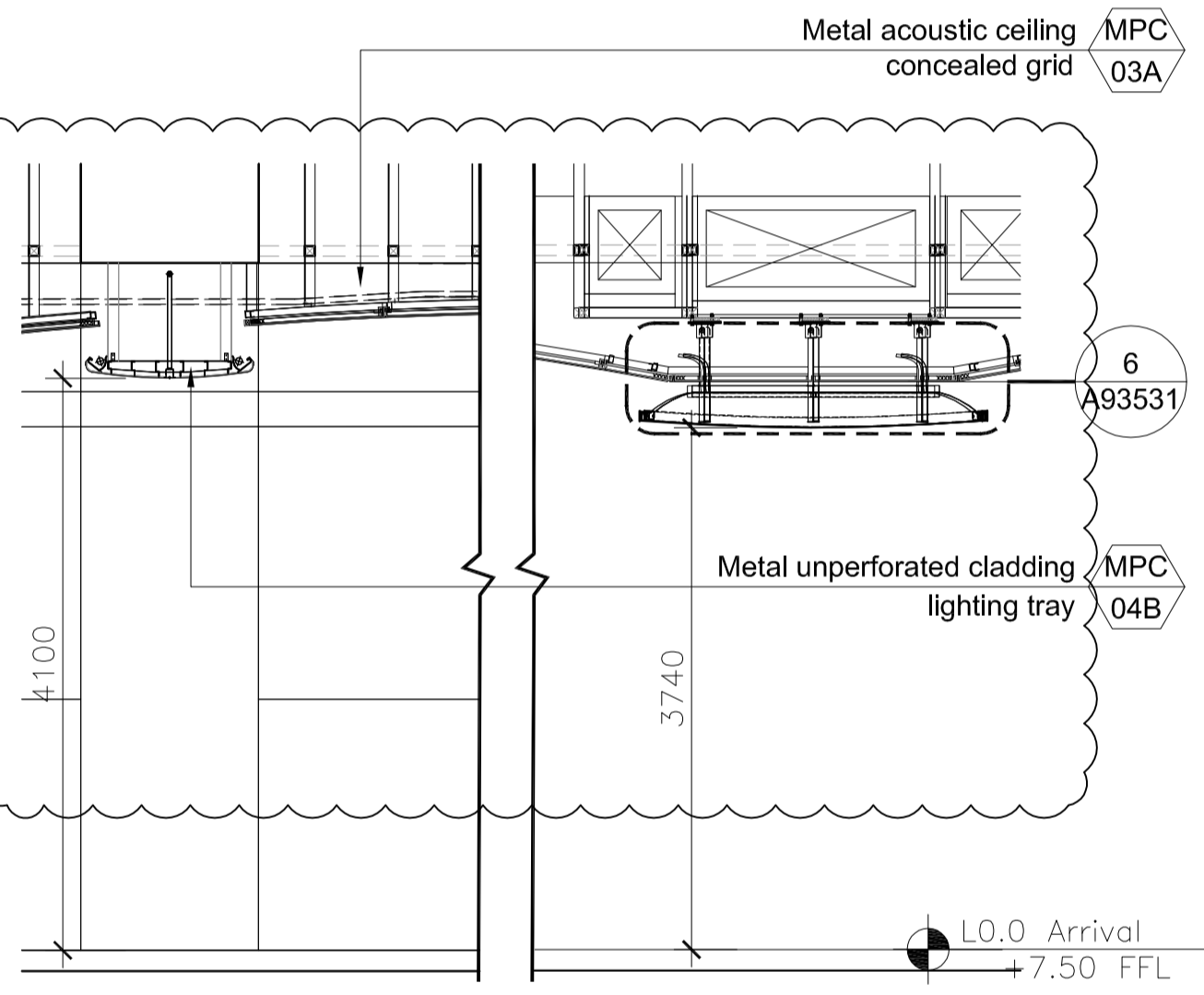
3 SECTION ACROSS IMMIGRATION WITH SERVICE BOOM AND IMMIGRATION HALL  
SCALE 1:200



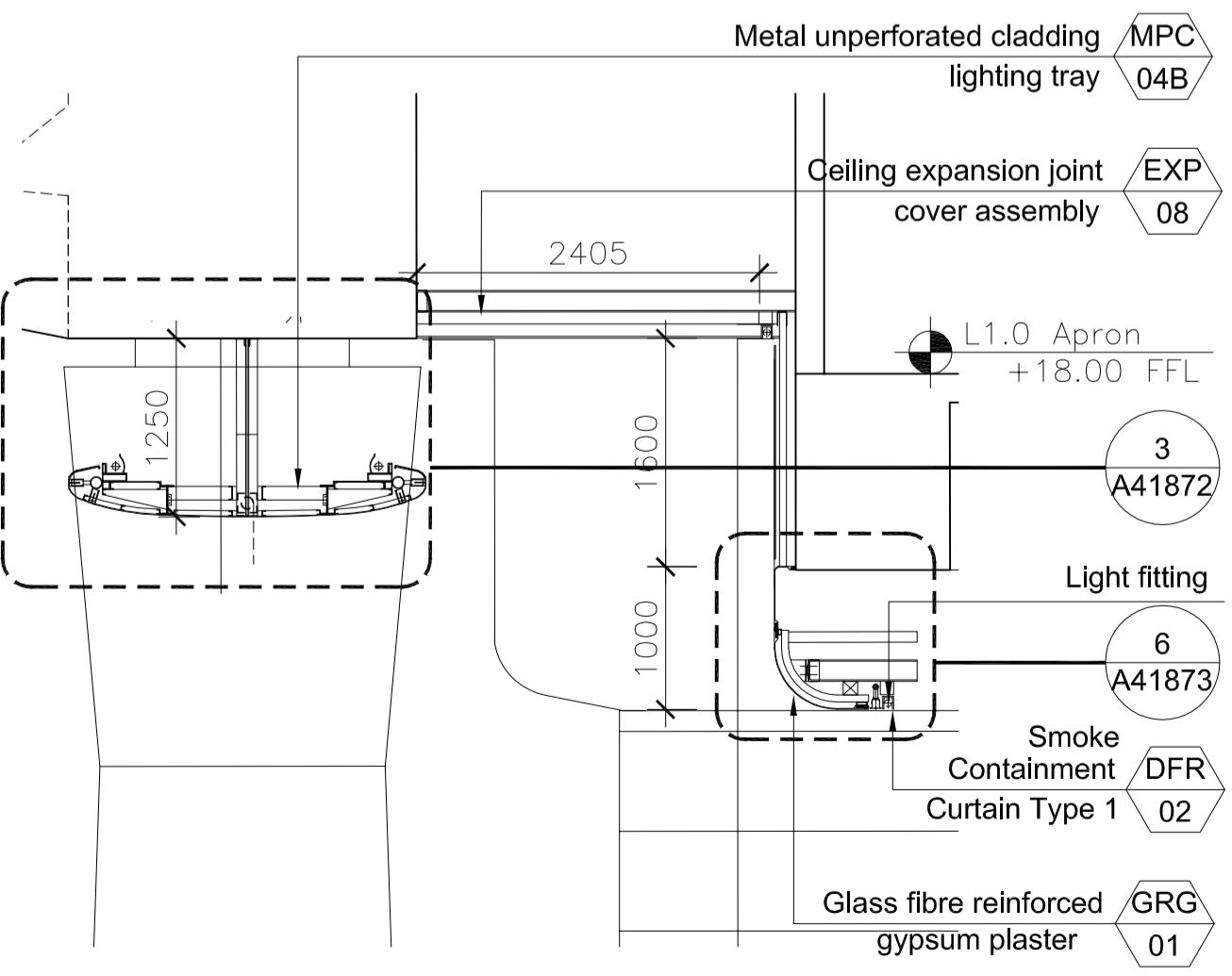
4 SECTION ACROSS WATER GARDEN AND BAGGAGE RECLAIM HALL  
SCALE 1:200



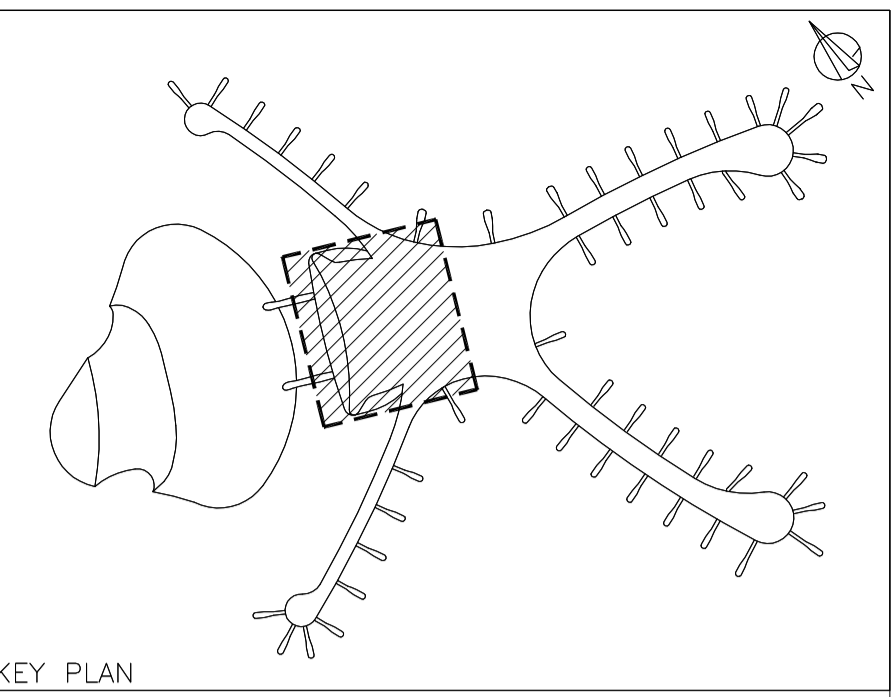
5 EDGE DETAIL AT RECESSED CEILING  
SCALE 1:50



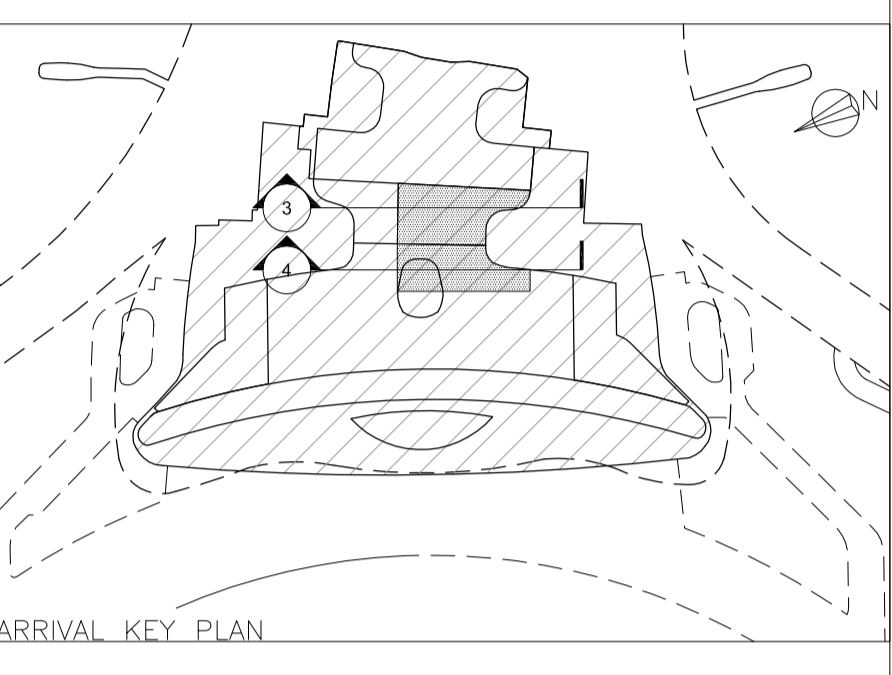
6 LOZENGE DETAIL AT IMMIGRATION HALL  
SCALE 1:50



7 LIGHTING TRAY AND EDGE DETAIL AT BR HALL  
SCALE 1:50



KEY PLAN  
NOTES:  
FOR EQUIPMENT SYMBOLS REFER TO ARCHITECTURE SYMBOLS SHEET DRAWING MTC-A-00-TB-1-5-00-00.051



ARRIVAL KEY PLAN

GENERAL NOTES:  
1. DO NOT SCALE DRAWINGS. DIMENSIONS GOVERN.  
2. ALL DIMENSIONS ARE IN MILLIMETERS UNLESS NOTED OTHERWISE.  
3. FOR MATERIALS KEY DESCRIPTIONS REFER TO DRAWING NUMBER MTC-A-00-TB-1-5-00-00.010  
4. FOR FIRE COMPARTMENT DETAILS REFER TO G04 DRAWING SERIES.  
5. FOR EGRESS AND EVACUATION ZONES REFER TO G04 DRAWING SERIES.  
6. KPF SHALL BE NOTIFIED IN WRITING OF ANY DISCREPANCIES.

01	25.02.14	BULLETIN 47
00	15.07.12	ISSUED FOR CONSTRUCTION
REV.	DATE	DESCRIPTION

SUBMITTAL REFERENCE  
ISSUED FOR CONSTRUCTION

CLIENT/OWNER  
**ADAC** ABU DHABI AIRPORTS COMPANY  
شركة أبوظبي للمطارات  
ABU DHABI AIRPORTS COMPANY

DESIGN CONSULTANT  
**KPF**  
Kohn Pedersen Fox Associates  
International PA  
Architects and Planning Consultants  
110 Park Avenue  
New York, NY 10017  
Tel: +1 212 850 8000  
Fax: +1 212 850 8001  
www.kpf.com

SUB-CONSULTANT  
PROJECT  
**ABU DHABI INTERNATIONAL AIRPORT  
MIDFIELD TERMINAL COMPLEX**

DRAWING TITLE  
**PROCESSOR ARRIVAL  
BAGGAGE RECLAIM HALL RCP &  
CEILING SECTIONS (SHEET 1 of 2)**

SHEET NUMBER  
MTC A 41 TB L0.1 5.00 00.482 01

DRW	DES	SH	BLD	PKG	LVL	SEC	ISS	REV
KPF	MC	KF	JH					
SCALE AS SHOWN	DESIGNED BY	CHECKED BY	APPROVED BY	DATE FIRST ISSUED				
	MC	KF	JH	25.09.2009	PROJECT No. WBS AUH.06.10.0401			