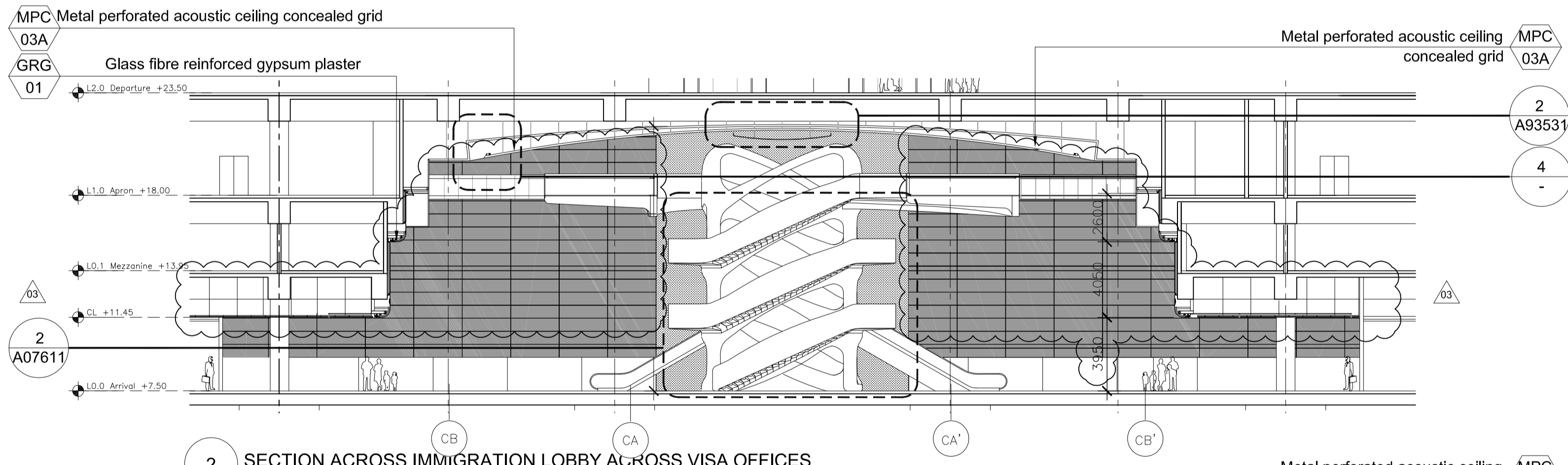
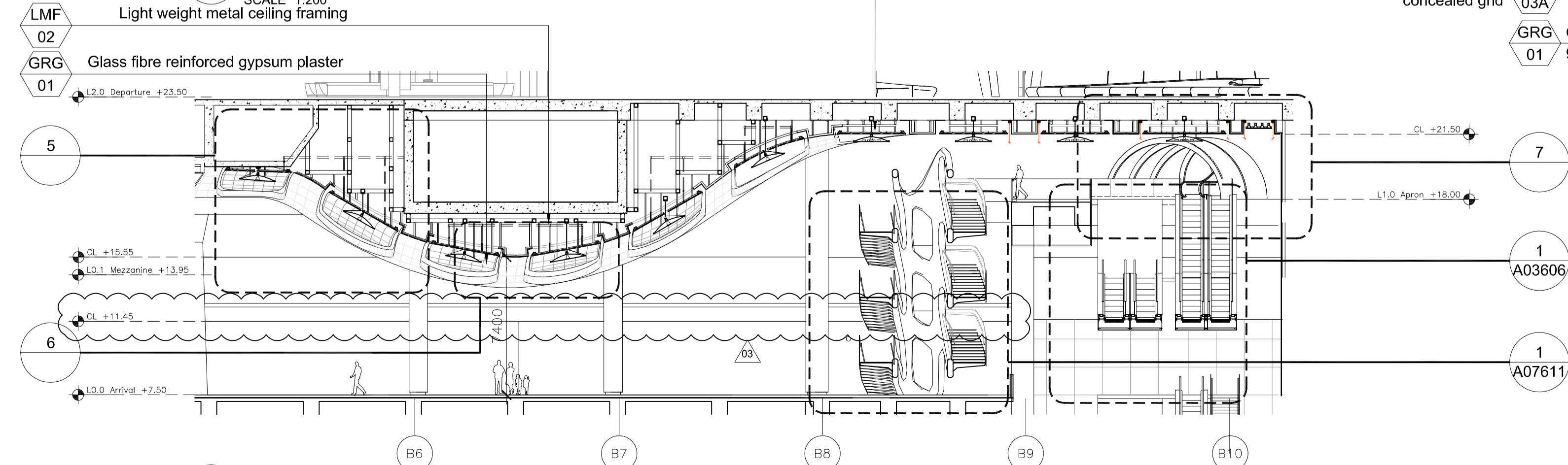


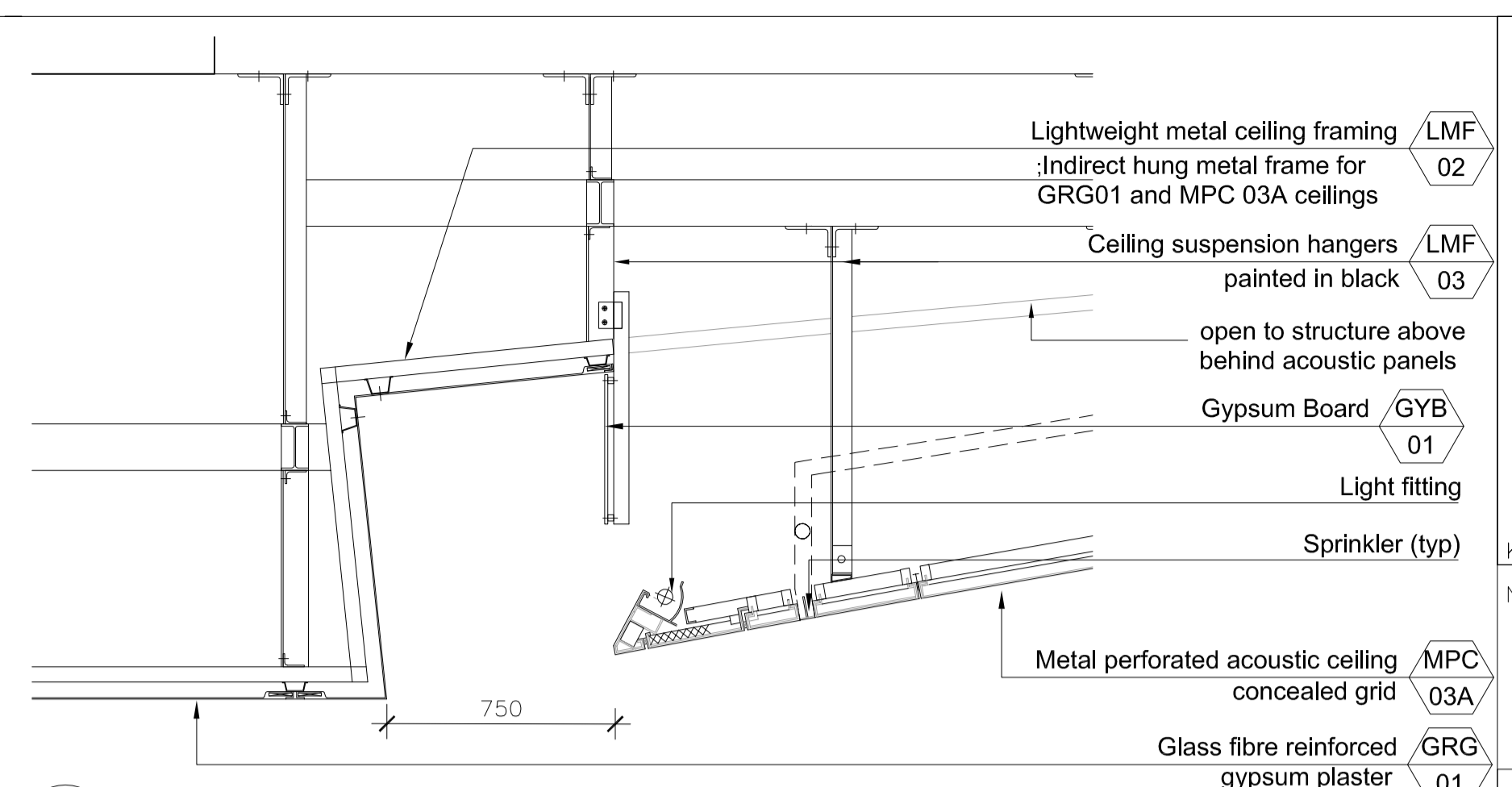
1 REFLECTED CEILING PLAN ACROSS IMMIGRATION LOBBY
SCALE 1:200



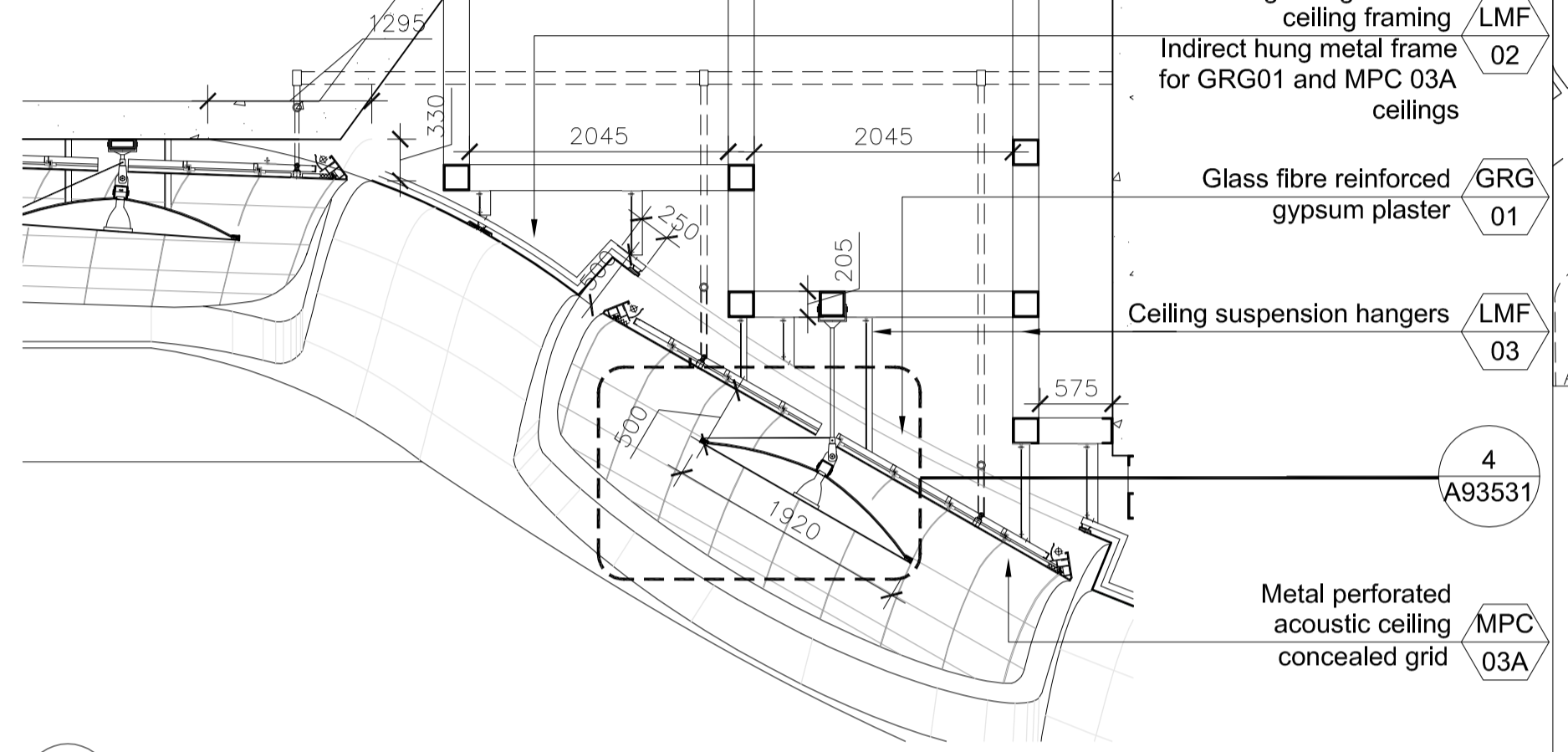
2 SECTION ACROSS IMMIGRATION LOBBY ACROSS VISA OFFICES
SCALE 1:200



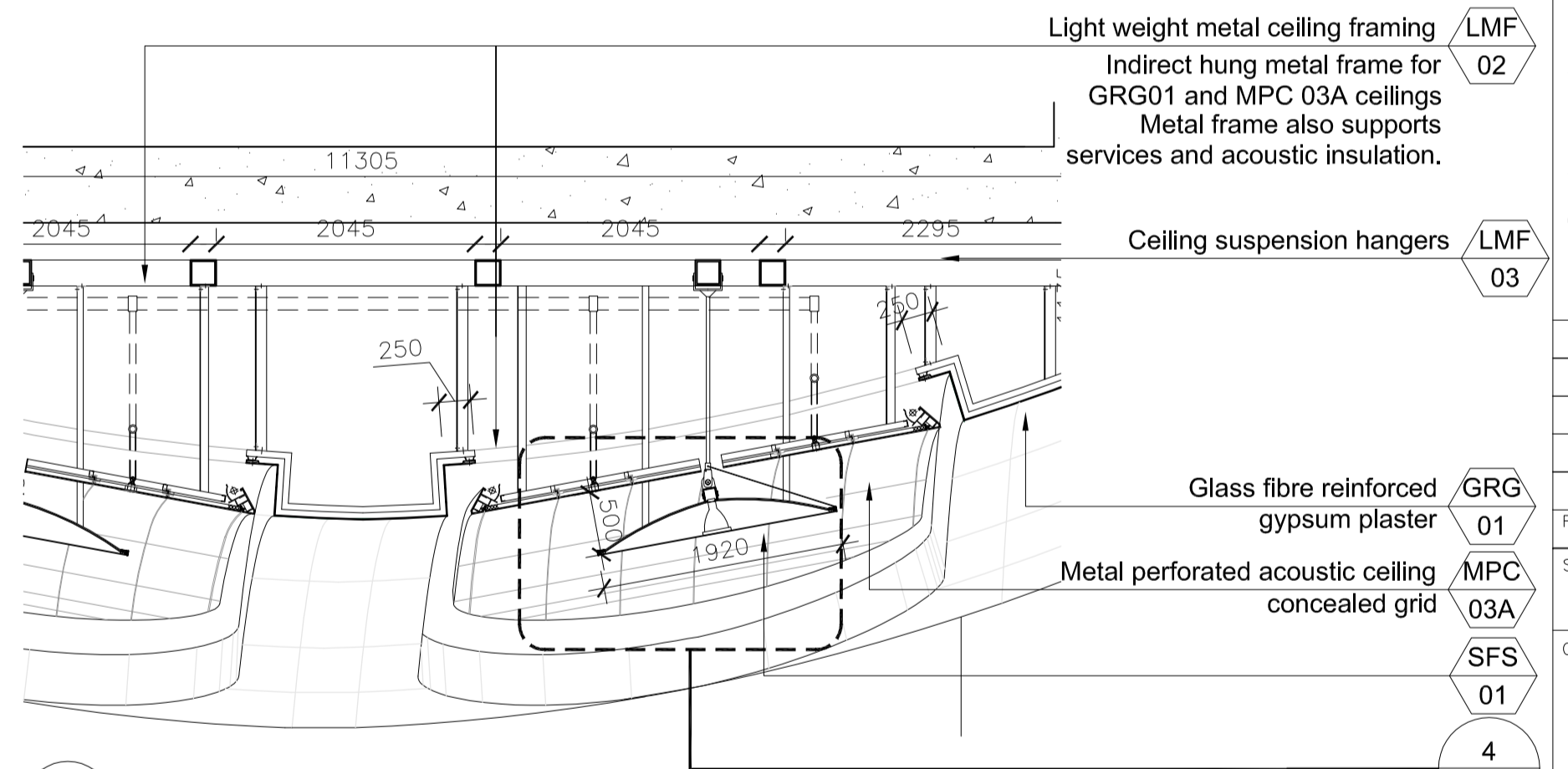
3 SECTION ACROSS IMMIGRATION LOBBY AND BUSING VERTICAL CIRCULATION
SCALE 1:200



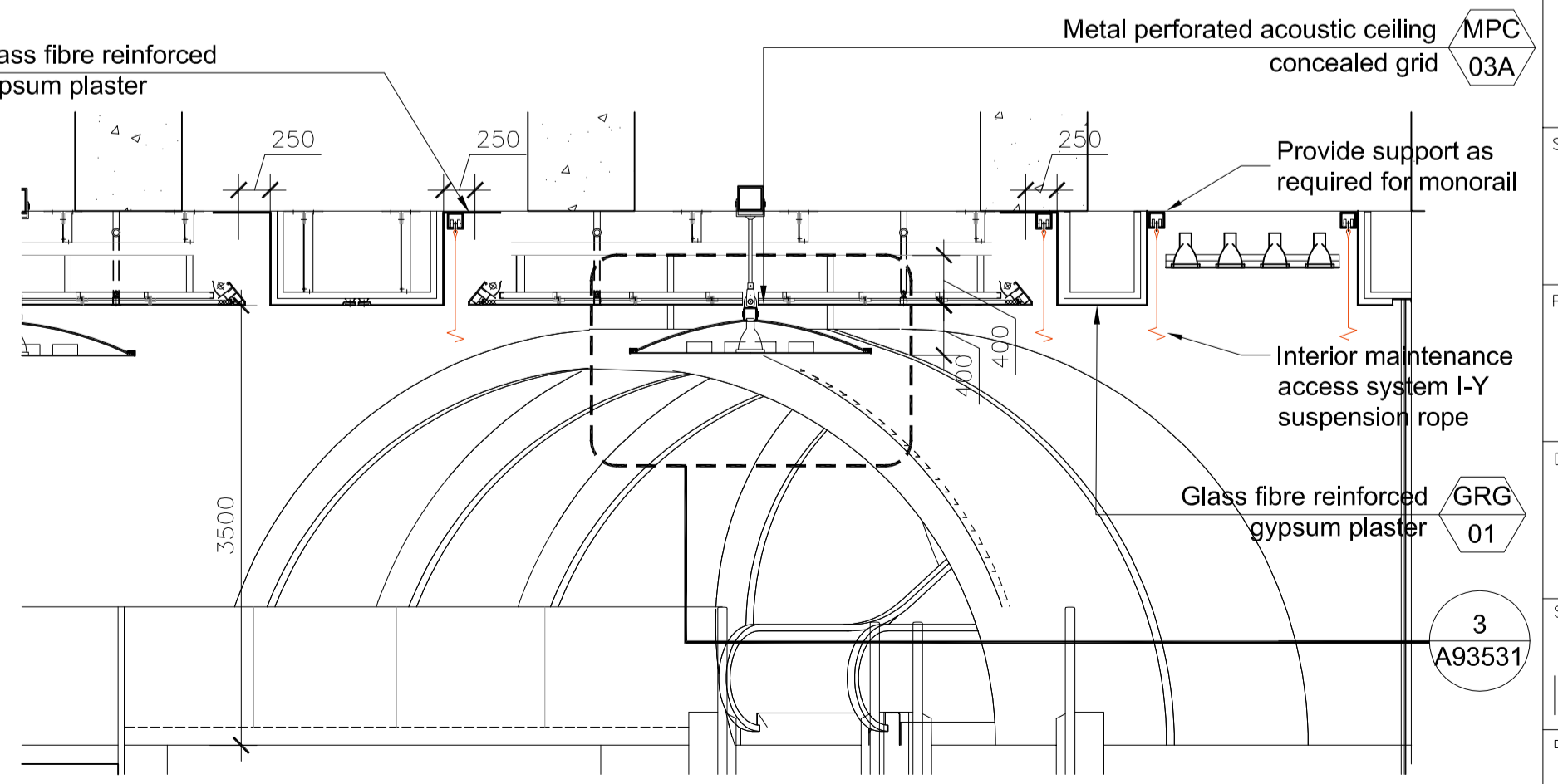
4 METAL PANEL AND GRG CEILING DETAIL
SCALE 1:20



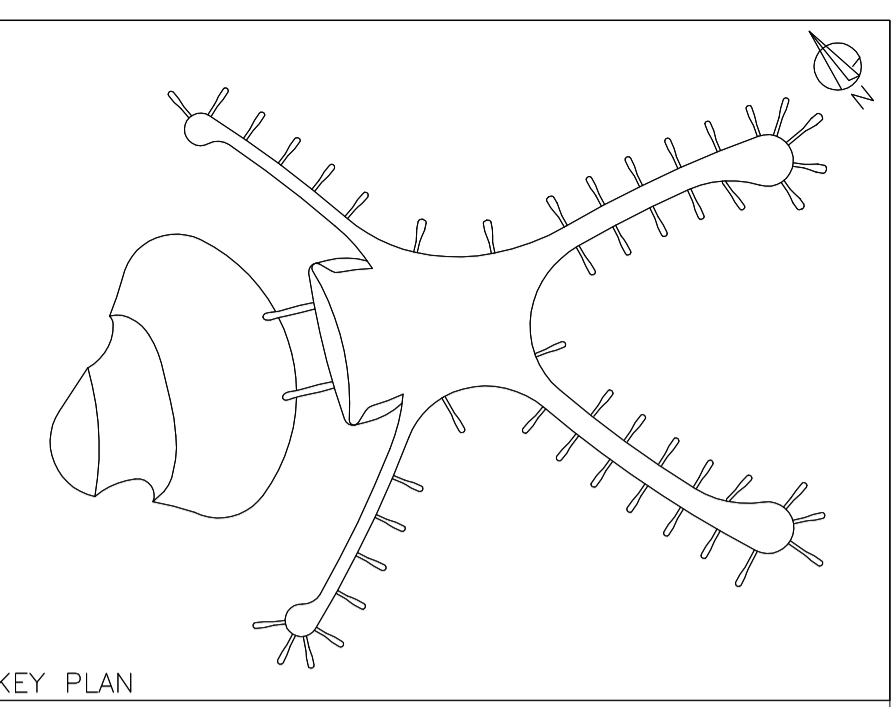
5 LIGHTING BOX AND METAL PANEL DETAIL
SCALE 1:50



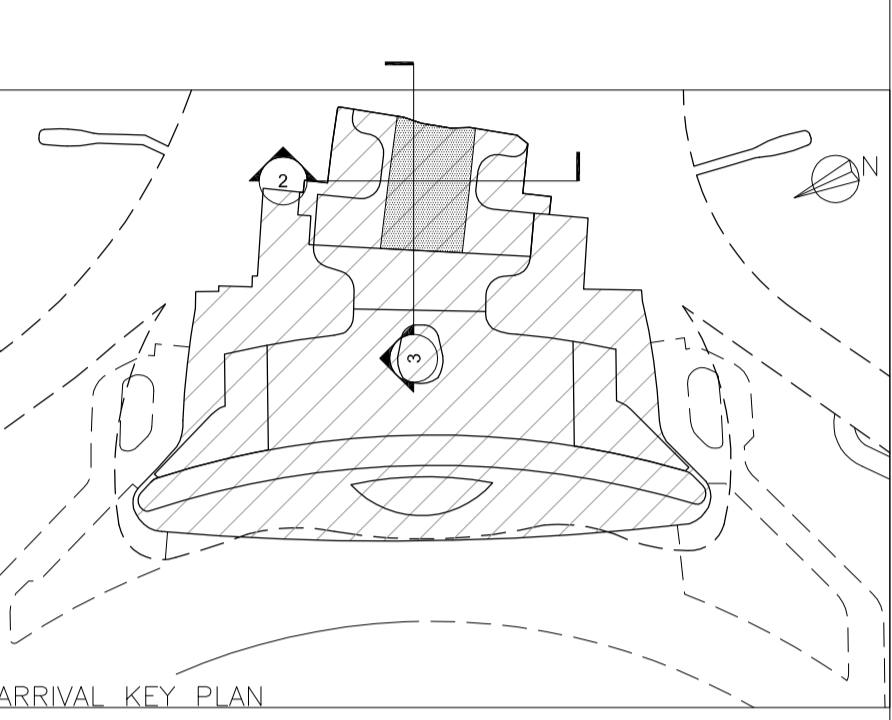
6 LIGHTING BOX AND METAL PANEL DETAIL
SCALE 1:50



7 LIGHT BOX DETAIL
SCALE 1:50



KEY PLAN
NOTES:
FOR EQUIPMENT SYMBOLS REFER TO ARCHITECTURE SYMBOLS SHEET DRAWING MTC-A-00-TB-...-00.051



ARRIVAL KEY PLAN

GENERAL NOTES:
1. DO NOT SCALE DRAWINGS. DIMENSIONS GOVERN.
2. ALL DIMENSIONS ARE IN MILLIMETERS UNLESS NOTED OTHERWISE.
3. FOR MATERIALS KEY DESCRIPTIONS REFER TO DRAWING NUMBER MTC-A-00-TB-...-00.010
4. FOR FIRE COMPARTMENT DETAILS REFER TO G04 DRAWING SERIES.
5. FOR EGRESS AND EVACUATION ZONES REFER TO G04 DRAWING SERIES.
6. KPF SHALL BE NOTIFIED IN WRITING OF ANY DISCREPANCIES.

03	25.02.14	BULLETIN 47
02	25.11.13	BULLETIN 30
01	21.12.12	BULLETIN 06
00	15.07.12	ISSUED FOR CONSTRUCTION
REV.	DATE	DESCRIPTION

SUBMITTAL REFERENCE
ISSUED FOR CONSTRUCTION

CLIENT/OWNER
ADAC ABU DHABI AIRPORTS COMPANY
شركة أبوظبي للمطارات
ABU DHABI AIRPORTS COMPANY

DESIGN CONSULTANT
KPF
Kohn Pedersen Fox Associates
International PA
Architects and Planning Consultants
1110 Avenue of the Americas
New York, NY 10020-1098
Tel: +1 212 850 8000
Fax: +1 212 850 8001
www.kpf.com

SUB-CONSULTANT

PROJECT
ABU DHABI INTERNATIONAL AIRPORT
MIDFIELD TERMINAL COMPLEX

DRAWING TITLE
PROCESSOR ARRIVAL IMMIGRATION HALL
GRG CEILING RCP & SECTIONS
(SHEET 1 OF 2)

SHEET NUMBER
MTC A 41 TB L0.1 5.00 00.480 03

DRW	DES	ISH	BLD	PKG	LVL	SEC	ISS	REV
KPF	MC	KF	JH				25.09.2009	
SCALE	VARIOUS	PROJECT No.	WBS AUH.06.10.0401					

2013 KOHN PEDERSEN FOX ASSOCIATES (INTERNATIONAL) PA. All rights reserved. Do not scale.