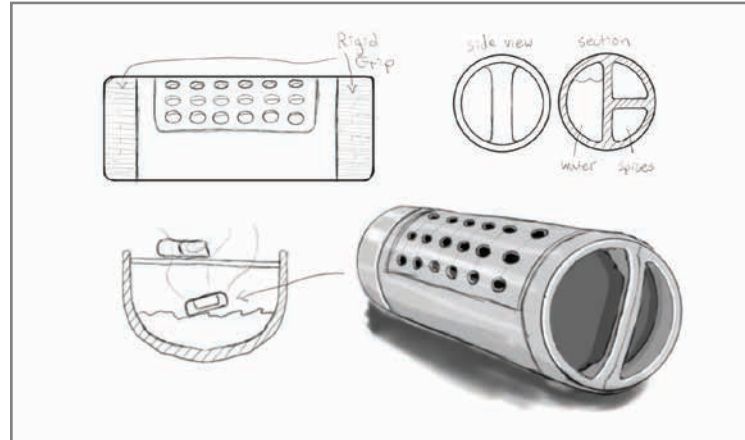
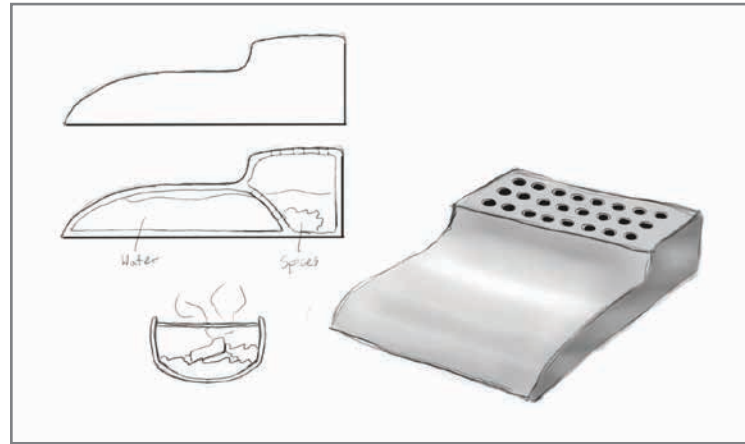


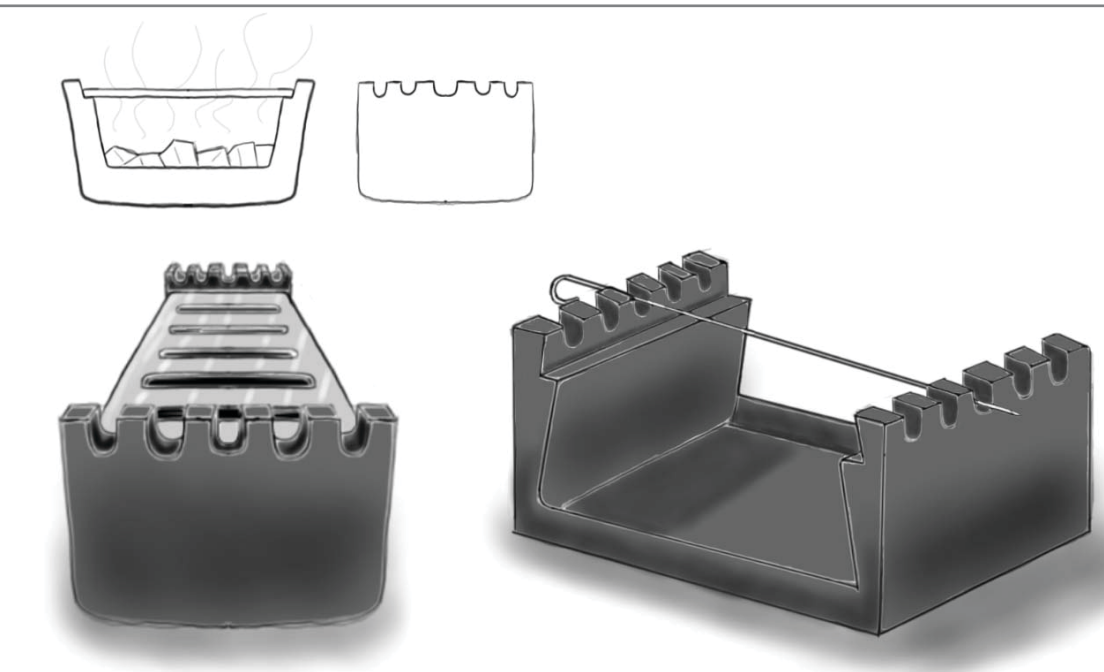
# Development

During the development stages, we generated a lot of different concepts of grill accessories. Though presentations on these concepts, we were able to eliminate all but two, and this is the one that stuck. The idea and development of this product evolved through the different presentations.

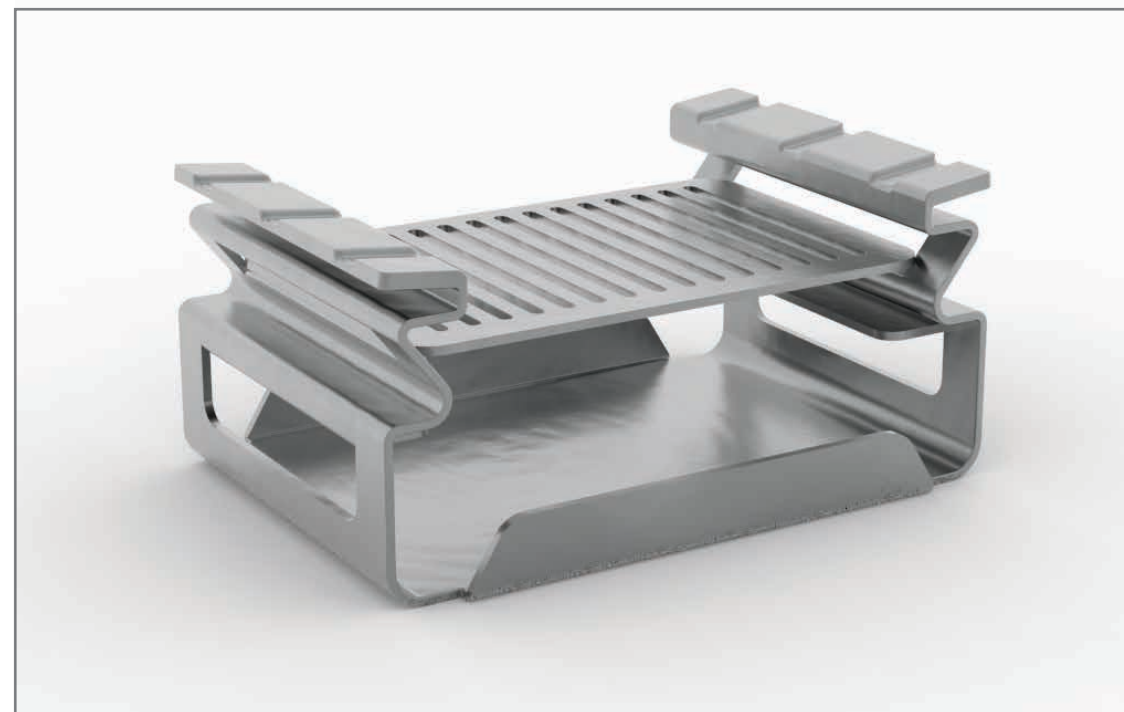
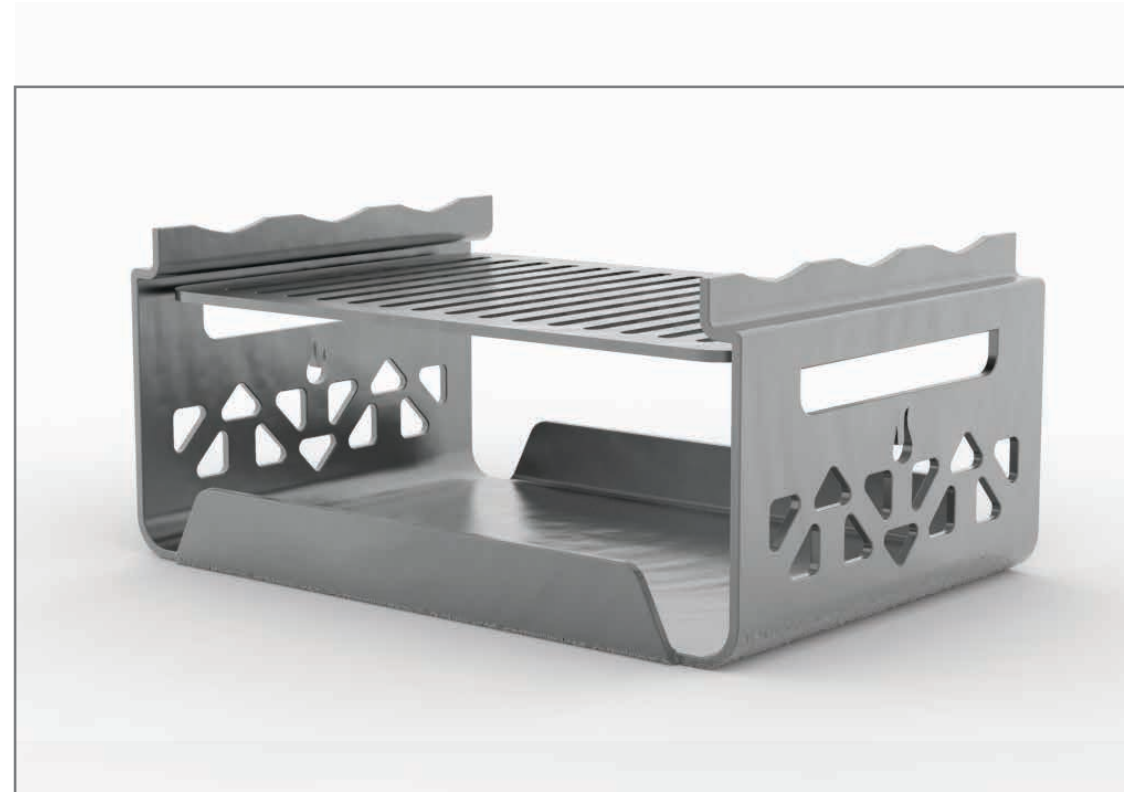


- First set of concepts use steam from water with herbs inside container.

## Inspiration



- Concept combines Char-boils cast-iron smoker with kabob grill rack.
- Developed concept to be made from a single sheet of metal.



After all the sketching and modeling, time to build a test model. It took one piece of flat stainless steel to make. It was cut to the proper dimensions and then bent to shape. Hinges have been added on the sides to make the smoker able to fold onto itself. The whole purpose for this is to make it easy to package and take up less space for storage. When each cut is done right, the smoker should form a nice little box when folded.

