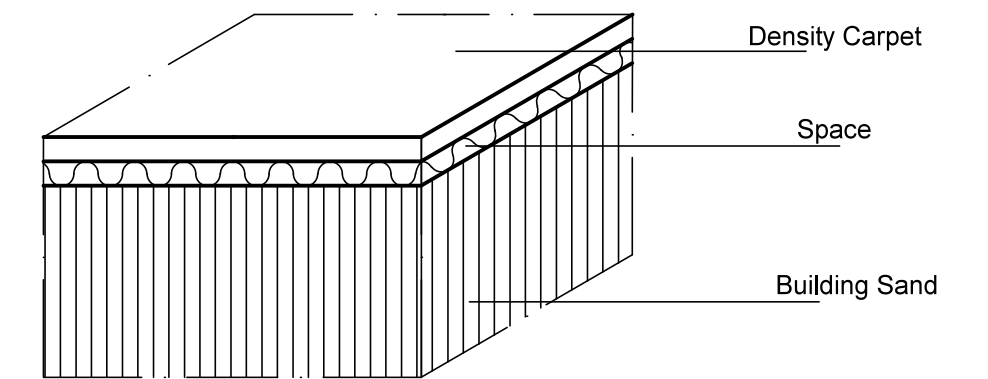
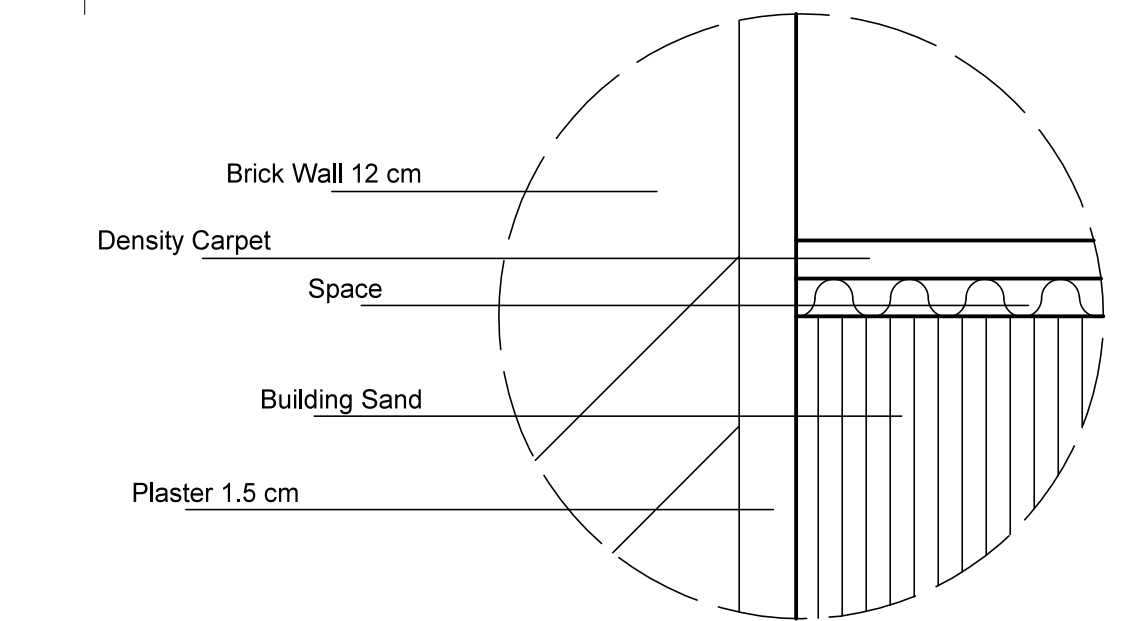


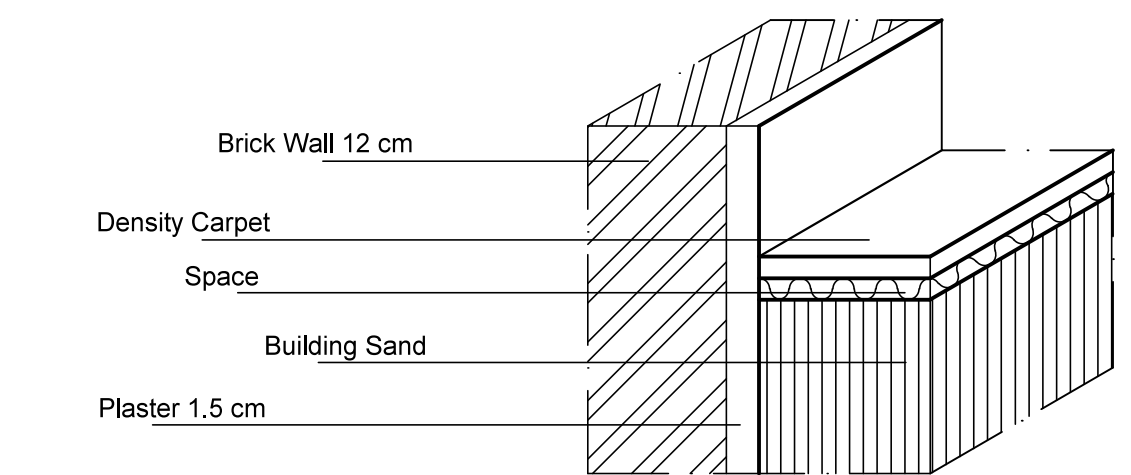
DETAIL D1  
SCALE 1 : 2



ISOMETRY D1



DETAIL D2  
SCALE 1 : 2

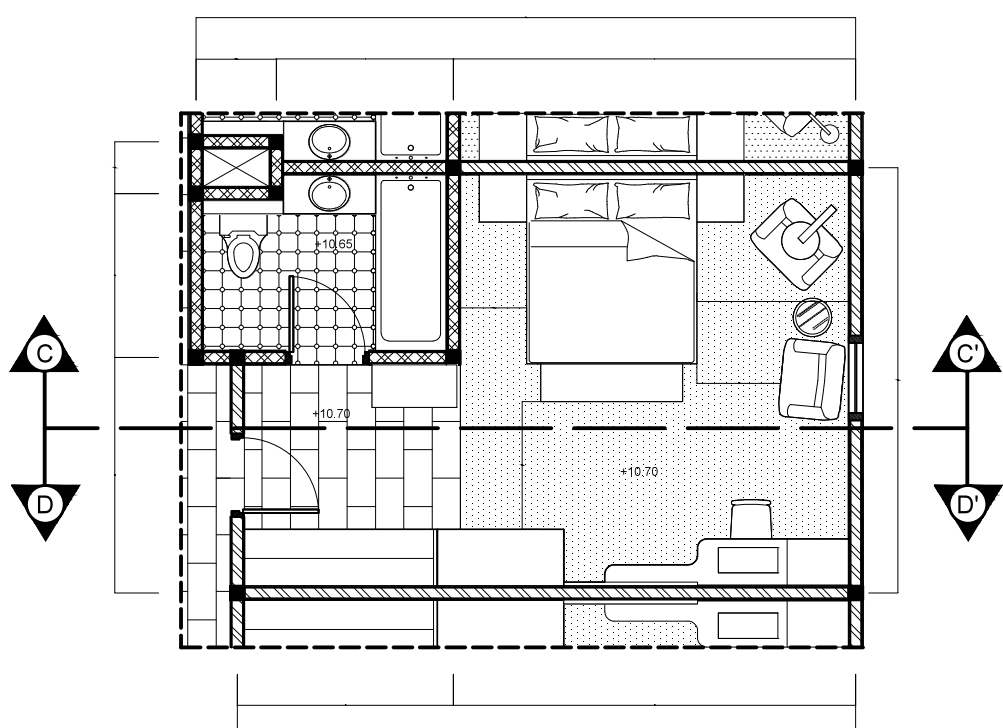


ISOMETRY D2

BUSGINESE STANDARD BEDROOM DD' SECTION (2ND)  
SCALE 1 : 25

- F1. Working Desk | 150 x 40 x 70 cm | Finishing : HPL Glossy
- F2. Working Desk Mirror | 160 x 200 x 2 cm
- F3. TV Cabinet | 250 x 60 x 60 cm | Finishing : HPL Texture
- F4. Wall TV Plasma 37 inch
- F5. Upper Mini Beverage Cabinet | 140 x 55 x 80 cm | Finishing : HPL Texture
- F6. Mini Beverage Cabinet Mirror | 140 x 100 x 2 cm
- F7. Down Mini Beverage Cabinet | 140 x 60 x 95 cm | Finishing : Marmer & HPL Texture
- F8. Igloo 3.2 Cu Refrigerator and Freezer
- F9. Wardrobe | 200 x 60 x 250 cm | Finishing : HPL Glossy
- F10. Fireproof Safe Box YB-350A | 38 x 50 x 45 cm

M1	M2	M3	M4
Dark Oak HPL	Golden Oak HPL	Blush Stone Color	Light Sand Color



<p>ITS Institut Teknologi Sepuluh Nopember</p> <p>Interior Design Faculty of Civil Engineering and Planning Institut Teknologi Sepuluh Nopember</p>	NAME : Noraisyah Zakiah Reza	SCALE : 1 : 25 & 1 : 2	SCORE :
	NRP : 3411100009	UNIT : CM	
	COOR : Anggri Indraprasti, S. Sn., M. Ds	LECT: Ir. Adi Wardoyo, M. MT	
FINAL PROJECT TITLE :		PAGE :	
Interior Design Of Grand Serela Hotel, Makassar with the Sulawesi Traditional Concept as the Business Tourism Object		22 of 36	