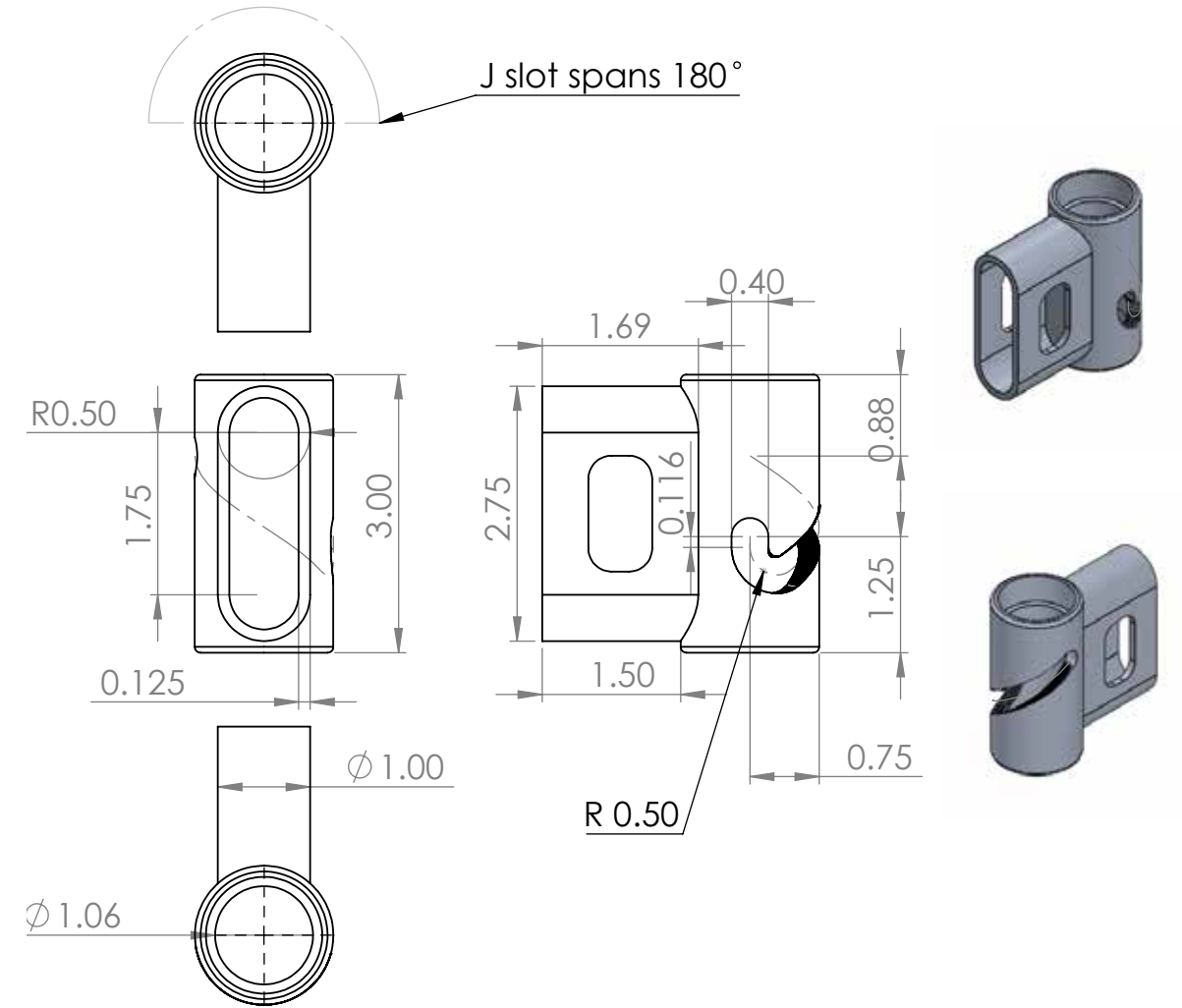
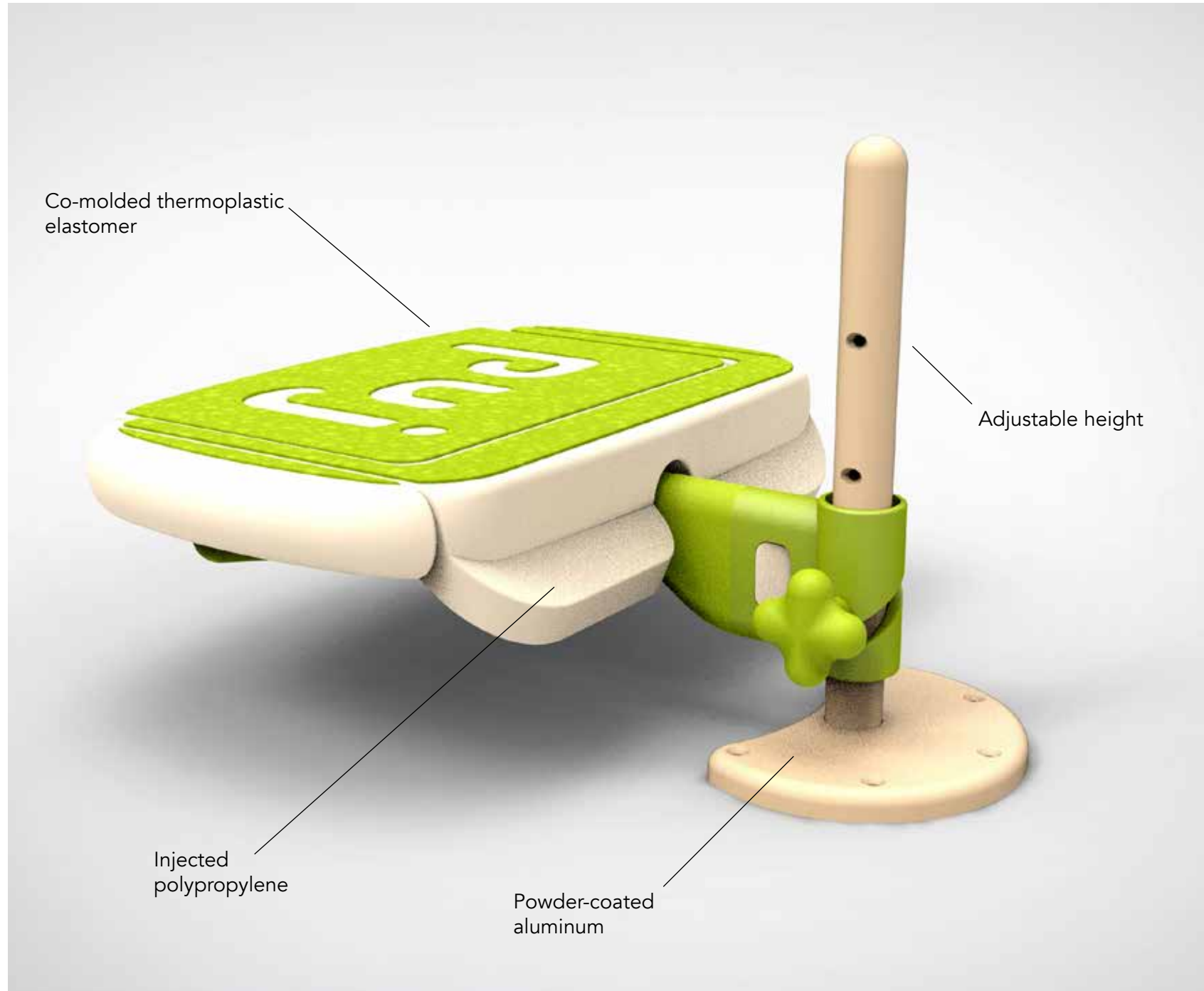




stepUP DESIGN



UNLESS OTHERWISE SPECIFIED:	NAME	DATE	Andrew Farnsworth
DIMENSIONS ARE IN INCHES	AJF	05/06/16	
TOLERANCES:	DRAWN		TITLE:
FRACTIONAL ±	CHECKED		stepUP stool
ANGULAR: MACH ± BEND ±	ENG APPR.		
TWO PLACE DECIMAL ±	MFG APPR.		
THREE PLACE DECIMAL ±	Q.A.		
INTERPRET GEOMETRIC TOLERANCING PER:	COMMENTS:		
MATERIAL			
6061 Aluminum Alloy			
FINISH			
USED ON			
DO NOT SCALE DRAWING			

SIZE	DWG. NO.	REV
A	guide_left_V2	1
SCALE: 1:2	WEIGHT:	SHEET 1 OF