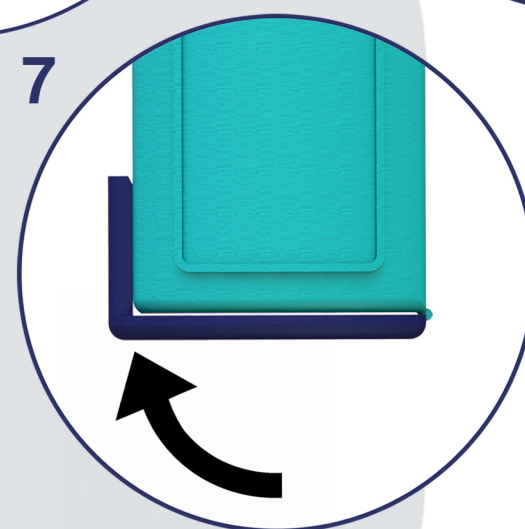
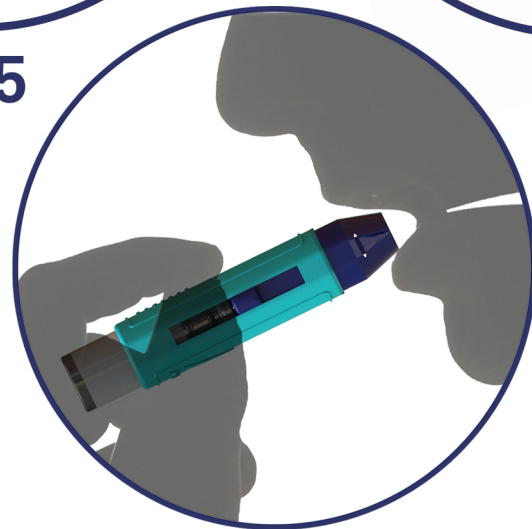
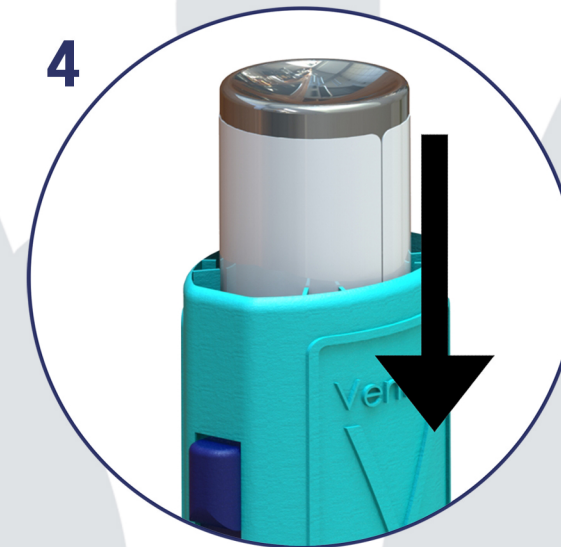
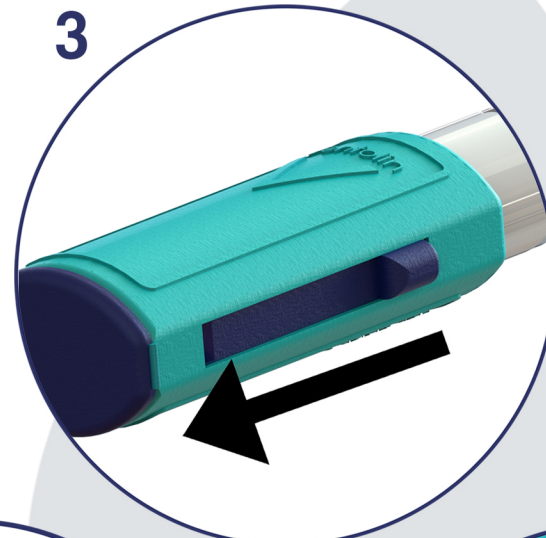
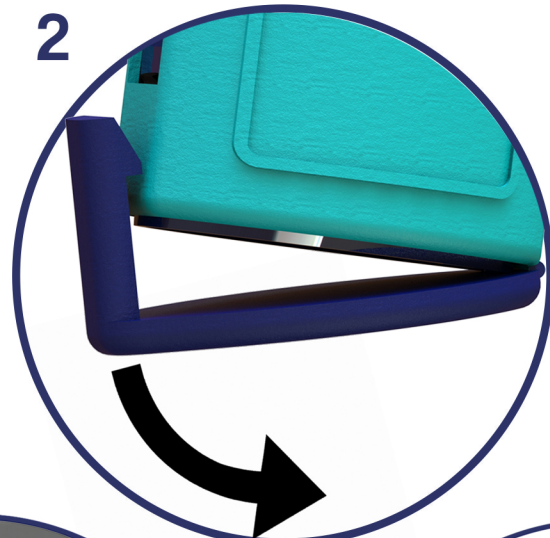


# Ventolin Inhaler

NTU

## Instructions



1. Shake inhaler thoroughly
2. Remove lid
3. Slide down mouthpiece
4. Hold inhaler upright and activate
5. Inhale medication from the inner chamber
6. Slide mouthpiece back inside
7. Close lid to keep clean

