



Spring 2016 Men and Women's Collection



Table of Contents

A. Introduction.....	pg. 1
B. Business	
Card.....	pg.2
C. Brand	
Name.....	pg. 3
D. Target	
Market.....	pg. 4
E. Storyboard.....	pg.5
F. Men's Standard Tee Tech	
Pack.....	pg. 6-12
G. Men's Sweater Tech	
Pack.....	pg. 13-19
H. Men's Jacket Tech	
Pack.....	pg. 20-28
I. Men's Pants Tech	
Pack.....	pg. 29-40
J. Men's Jogger Tech	
Pack.....	pg. 41-49
K. Women's Dress Tech	
Pack.....	pg. 50-59
L. Marketing Labels &	
Logo.....	pg. 60



Introduction

Growing up on the tiny island of Guam, Ariana Andres had been influenced by the laid back lifestyle. She lived in Guam her whole life up until it was time to go to college where she decided to study Fashion Merchandising and Apparel Design at Seattle Pacific University. Ariana had a passion for fashion since she was in middle school but it was until recently when she realized that she wanted to design clothes for a more meaningful purpose. Throughout her life, Ariana struggled with self-love and body acceptance. Throughout this journey, she has found her meaning and fire for design. In her future endeavors with fashion, she aspires to design for all beautiful body shapes and sizes of both women and men.





Business Card





Brand Name



The inspiration for Nomadic Collection stems from how I see me life. I have traveled far from home, Guam, and I still want to travel and see the rest of the world. The word “nomad” means a person who does not stay in the same place, which seems to be a common theme in my life. When a nomad is on the move, they need to be dressed comfortably and casually. I featured designs that seemed fit for a nomadic lifestyle. It’s all about the *journey*, not the destination.





Target Market

Age: Early 20s to Early 30s

Location: Warm Climate Areas (Ex: Dubai)

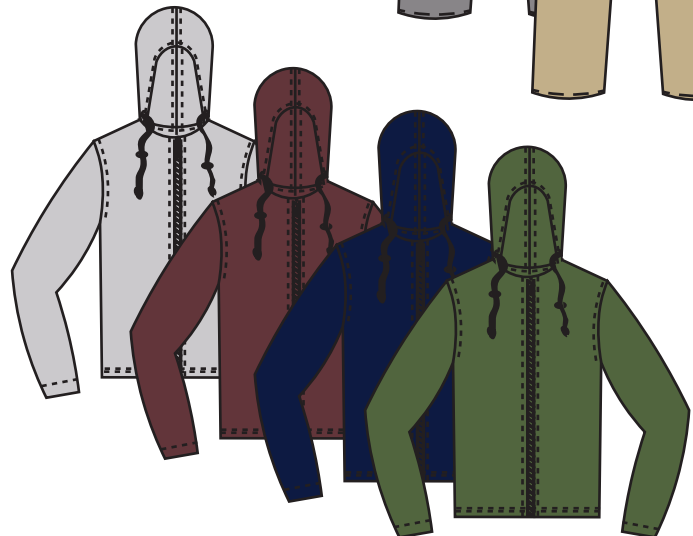
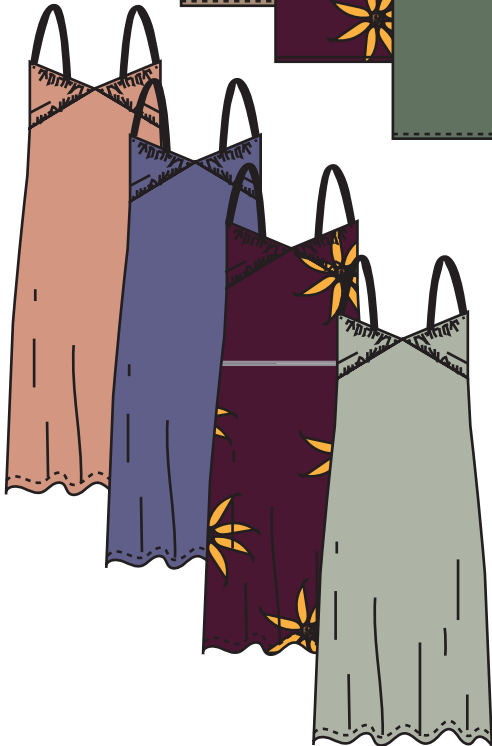
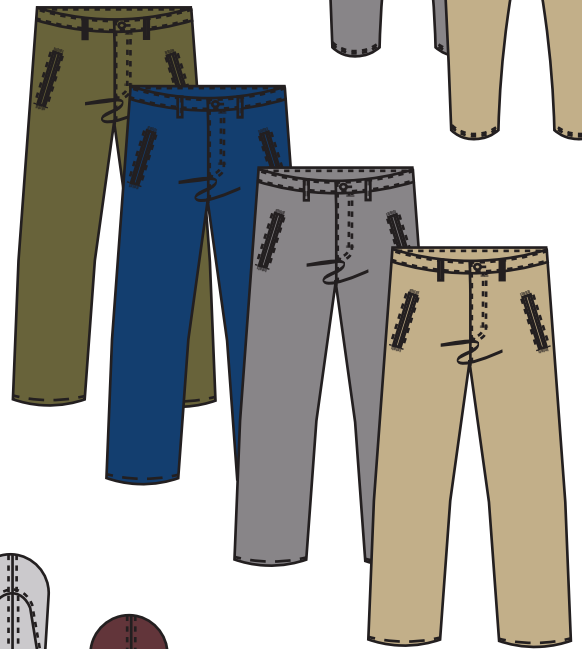
Lifestyle: A nomad's life is unsettling. He/She is always seeking where to travel next whether it's by backpacking through Europe or riding on the plane to Palau. You can find them living life with one suitcase in hand always prepared to leave on their next journey to wherever they feel is calling their name.

Interests: Traveling, volunteer work, journaling, and trying new food.



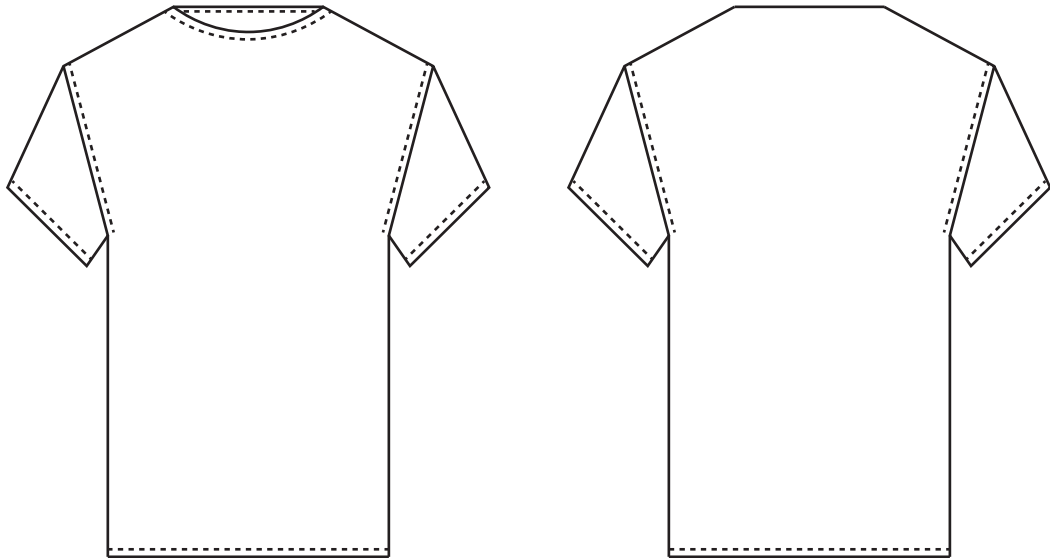


Storyboard



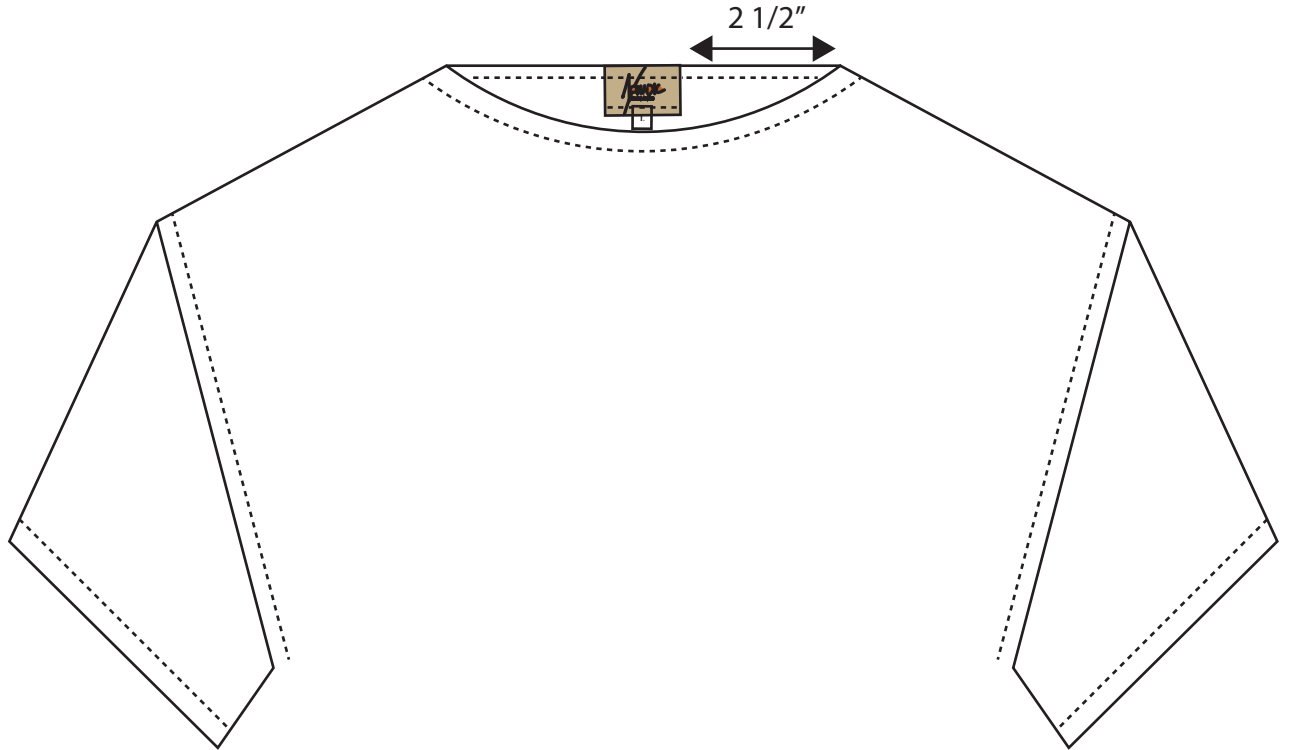


Ariana Andres
Design 3 Tech Pack
Front and Back Sketch
1/8 Scale

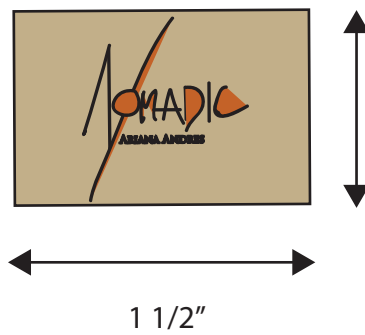




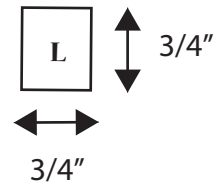
Main label attached separately with 1/8" SN Topstitch on top of size label horizontally.



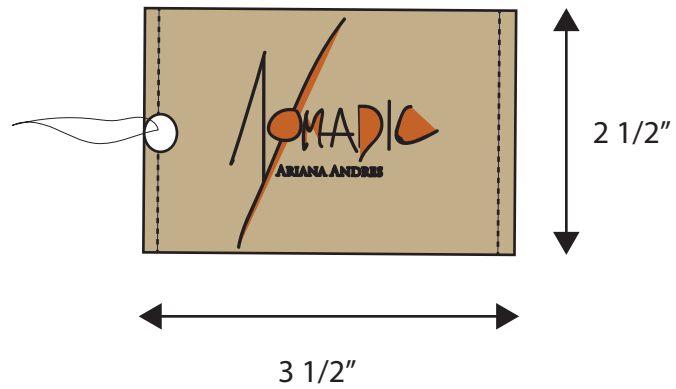
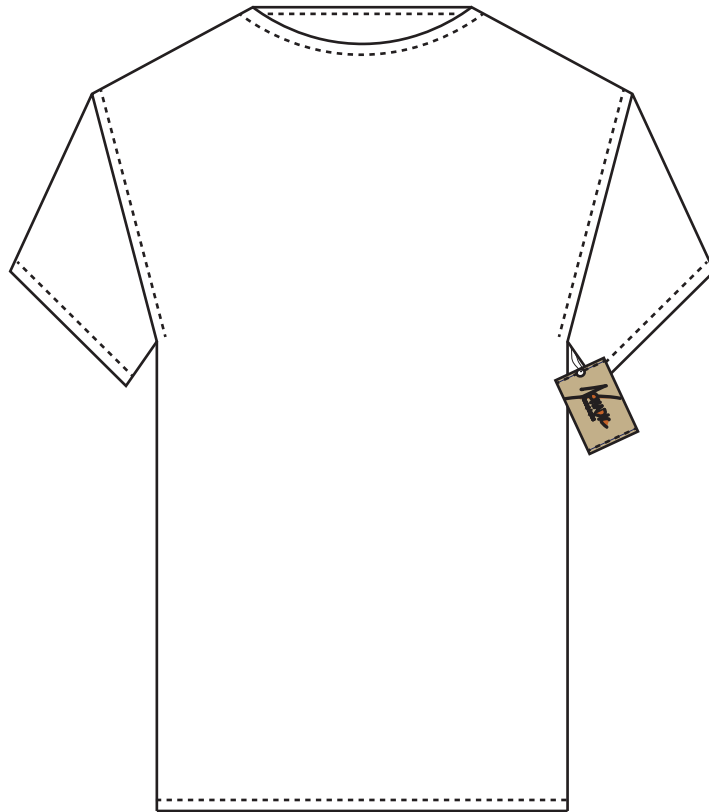
Main Label



Size Label



Ariana Andres
Design 3 Tech Pack
Marketing Page
Exterior View
1/4 Scale





Nomadic Development, INC.
SPEC PAGE

Proto# SM-00-0003
Style# 0
Season: Spring 2016
DEPT: Mens
Fit Type: Standard Tee
Brand: Nomadic
Status: Prototype-1

Size Range: Mens, S-XXXL
Sample Size: L
Designer: Ariana
Date First Sent: 12/09/2015
Date Revised: 0
Fabrication: 12gg

Specs	Tolerance	Men's Shirt Measurements (LRG)
Chest Width- 1" blw armhole	+1/2	20 1/2"
BTM Opening	+1/2	21 1/2"
Across Shoulder	+1/2	16 1/2"
High Chest Width (5 1/2" below HPS)	+1/2	16
Length		
a. HPS	a. +1/2	a. 29 1/2"
b. CF/CB	b. +1/2	b. 24" & 27 7/8"
c. Side	c. +1/2	c. 19 1/8"
Across Waist	+1/2	19 7/8"
SLV Opening	+1/4	7
Armhole Length	+1/4	11
Shoulder Length	+1/4	5 1/2"
Sleeve Length		
a. Overarm	a. +1/4	a. 9"
b. Underarm	b. +1/4	b. 4 3/4"
c. CB	c. +1/4	c. 15 1/2"
d. HPS	d. +1/4	d. 14 1/8"
Front Neck Drop-FM HPS	+1/8	4 1/2"
Back Neck Drop-FM HPS	+1/8	7/8"
Collar Height at CB	+1/8	3/4"
Shoulder Slope	+1/4	2"
SLV Hem Height	+1/8	5/8"
BTM Hem Height	+1/8	5/8"



Nomadic Development, INC.
CONSTRUCTION PAGE

Proto# SM-00-0003
Style# 0
Season: Spring 2016
DEPT: Mens
Fit Type: Standard Tee
Brand: Nomadic
Status: Prototype-1

Size Range: Mens, S-XXXL
Sample Size: L
Designer: Ariana
Date First Sent: 12/09/2015
Date Revised: 0
Fabrication: 12gg

Seam Name	Seam Type/Stitch Type	Description
Outseam	Plain seam/401 single chainstitch	Join front and back with ½" seam allowance.
Inseam	Plain seam/401 single chainstitch	Join front and back with ½" seam allowance.
Hems	Clean finish/301 single needle lockstitch	Fold the edge of the bottom hem and sleeves.
Shoulder Seams	401 single needle chainstitch	Join front and back with ½" seam allowance.
Sleeve (Outseam and Inseam)	401 single needle chainstitch	Fold the edge of the bottom opening of sleeve.
Topstitching	301 single needle lockstitch	Topstitch on neck hole, armhole, sleeve hem, and bottom opening hem.

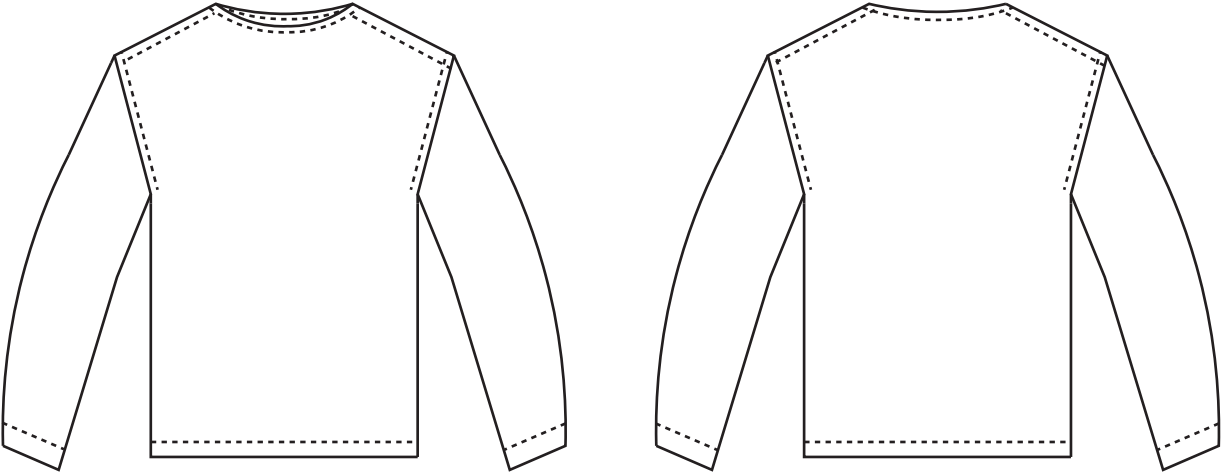


Nomadic Development, INC. FABRIC/TRIM/COLOR PAGE		
Proto# SM-00-0003 Style# 0 Season: Spring 2016 DEPT: Mens Fit Type: Standard Tee Brand: Nomadic Status: Prototype-1		Size Range: Mens, S-XXXL Sample Size: L Designer: Ariana Date First Sent: 12/09/2015 Date Revised: 0 Fabrication: 12gg

Types (Fabric, Trim, Thread)	Location	Size/Qty	Color
100% Cotton	Main Body	Main Body	Heather Gray, Jade Green, Desert Tan, Flower Power Print
Thread	Main Body	--	Black

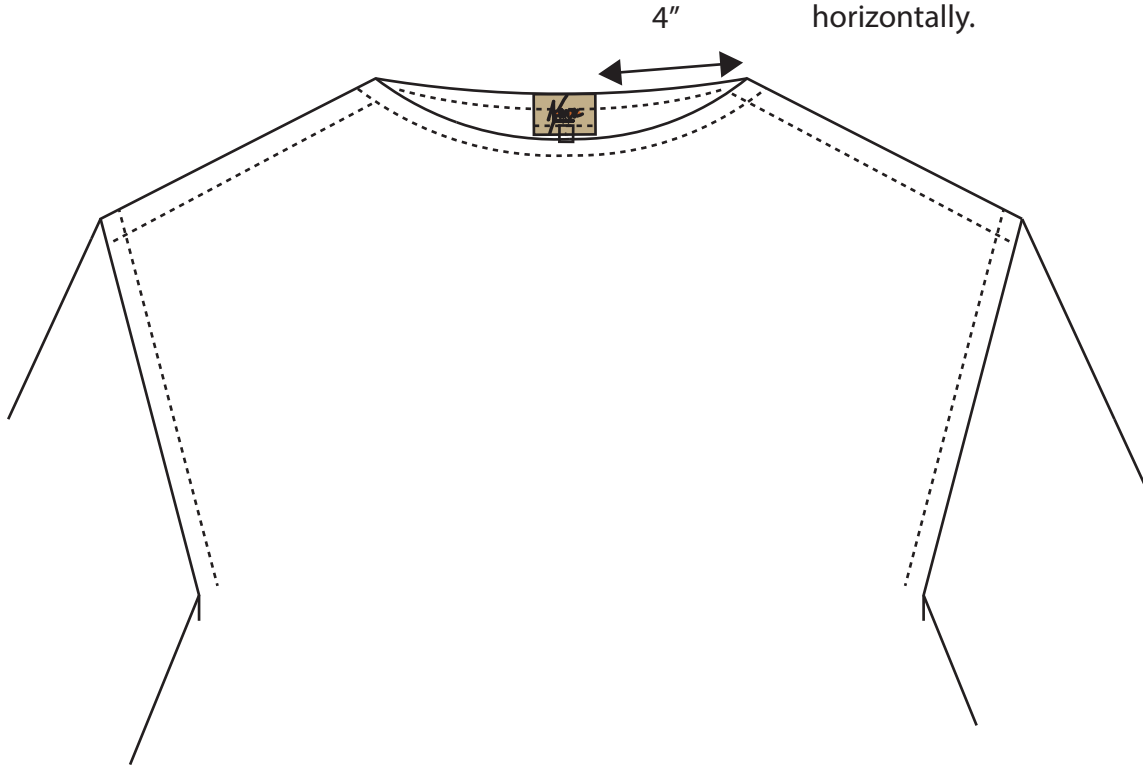


Ariana Andres
Design 2 Tech Pack
Front and Back Sketch
1/8 Scale

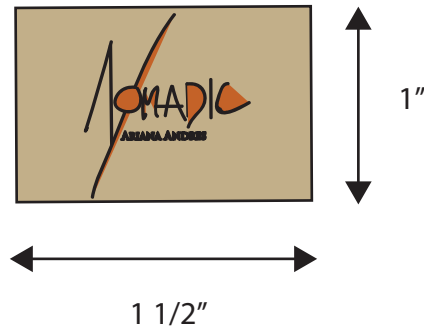




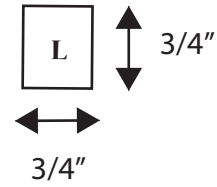
Main label attached separately with 1/8" SN Topstitch on top of size label horizontally.



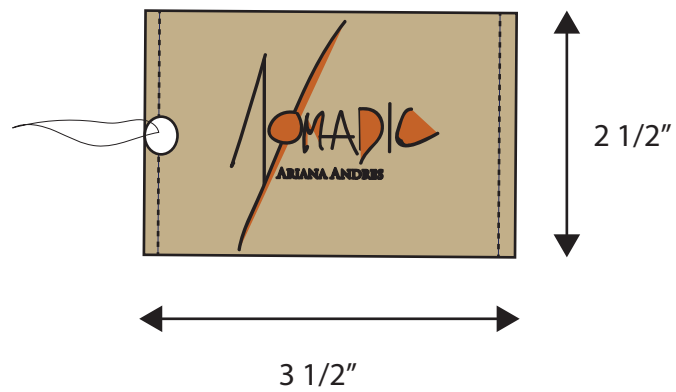
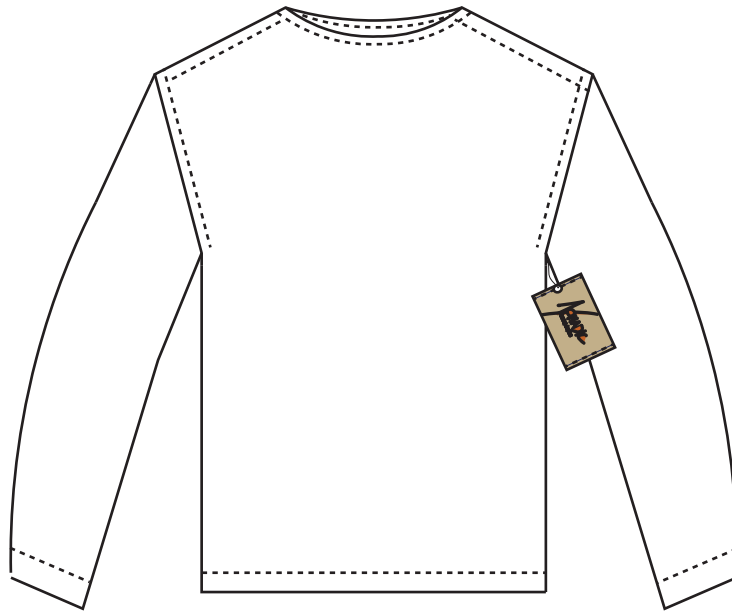
Main Label



Size Label



Ariana Andres
Desing 2 Tech Pack
Marketing Page
Exterior View
1/4 Scale





Nomadic Development, INC. SPEC PAGE		
Proto# SM-00-0002		Size Range: Mens, S-XXXL
Style# 0		Sample Size: L
Season: Spring 2016		Designer: Ariana
DEPT: Mens		Date First Sent: 12/09/2015
Fit Type: Sweater		Date Revised: 0
Brand: Nomadic		Fabrication: 12gg
Status: Prototype-1		

Specs	Tolerance	Men's Sweater Measurements (LRG)												
Chest Width- 1" blw armhole	+1/2	20 1/2"												
BTM Opening	+1/2	20"												
Across Shoulder	+1/2	18 1/4"												
High Chest Width (5 1/2" below HPS)	+1/2	17												
Length														
<table border="1"> <tr><td>a. HPS</td></tr> <tr><td>b. CF/CB</td></tr> <tr><td>c. Side</td></tr> </table>	a. HPS	b. CF/CB	c. Side	<table border="1"> <tr><td>a. +1/2</td></tr> <tr><td>b. +1/2</td></tr> <tr><td>c. +1/2</td></tr> </table>	a. +1/2	b. +1/2	c. +1/2	<table border="1"> <tr><td>a. 28 1/4"</td></tr> <tr><td>b. 23 3/4" & 26 3/8"</td></tr> <tr><td>c. 16 1/2"</td></tr> </table>	a. 28 1/4"	b. 23 3/4" & 26 3/8"	c. 16 1/2"			
a. HPS														
b. CF/CB														
c. Side														
a. +1/2														
b. +1/2														
c. +1/2														
a. 28 1/4"														
b. 23 3/4" & 26 3/8"														
c. 16 1/2"														
Across Waist	+1/2	20 1/4"												
Shoulder Length	+1/4	5 3/4"												
Sleeve Length														
<table border="1"> <tr><td>a. Overarm</td></tr> <tr><td>b. Underarm</td></tr> <tr><td>c. CB</td></tr> <tr><td>d. HPS</td></tr> </table>	a. Overarm	b. Underarm	c. CB	d. HPS	<table border="1"> <tr><td>a. +1/4</td></tr> <tr><td>b. +1/4</td></tr> <tr><td>c. +1/4</td></tr> <tr><td>d. +1/4</td></tr> </table>	a. +1/4	b. +1/4	c. +1/4	d. +1/4	<table border="1"> <tr><td>a. 25"</td></tr> <tr><td>b. 18"</td></tr> <tr><td>c. 31"</td></tr> <tr><td>d. 31 1/4"</td></tr> </table>	a. 25"	b. 18"	c. 31"	d. 31 1/4"
a. Overarm														
b. Underarm														
c. CB														
d. HPS														
a. +1/4														
b. +1/4														
c. +1/4														
d. +1/4														
a. 25"														
b. 18"														
c. 31"														
d. 31 1/4"														
Neck Width	+1/4	5"												
Front Neck Drop-FM HPS	+1/8	1 7/8"												
Back Neck Drop-FM HPS	+1/8	1/4"												
Cuff Opening	+1/4	3 3/8"												
Shoulder Slope	+1/4	2"												
SLV Hem Height	+1/8	2 1/4"												
BTM Hem Height	+1/8	2 1/4"												



Nomadic Development, INC. CONSTRUCTION PAGE		
Proto# SM-00-0002 Style# 0 Season: Spring 2016 DEPT: Mens Fit Type: Sweater Brand: Nomadic Status: Prototype-1		Size Range: Mens, S-XXXL Sample Size: L Designer: Ariana Date First Sent: 12/09/2015 Date Revised: 0 Fabrication: 12gg

Seam Name	Seam Type/Stitch Type	Description
Outseam	Plain seam/401 single chainstitch	Join front and back with ½" seam allowance.
Inseam	Plain seam/401 single chainstitch	Join front and back with ½"
Hems	Clean finish/401 single chainstitch	Fold the edge of the bottom hem.
Topstitching	301 single needle lockstitch	Topstitch on neck, shoulder, armhole, sleeve opening, and hems.

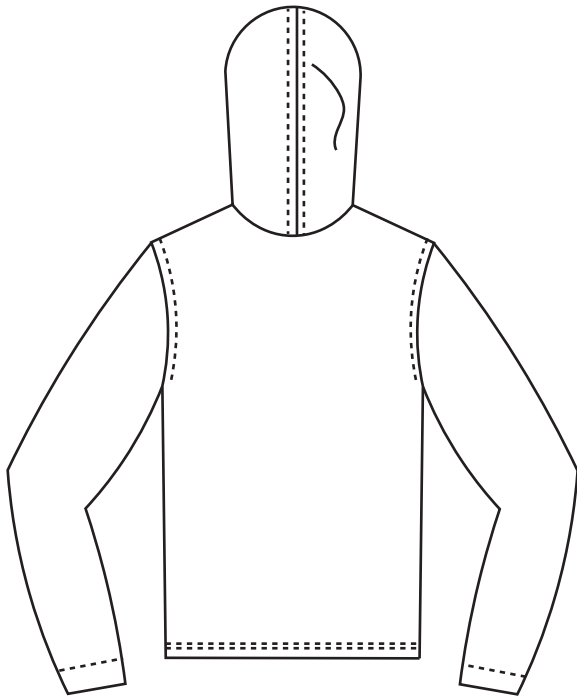
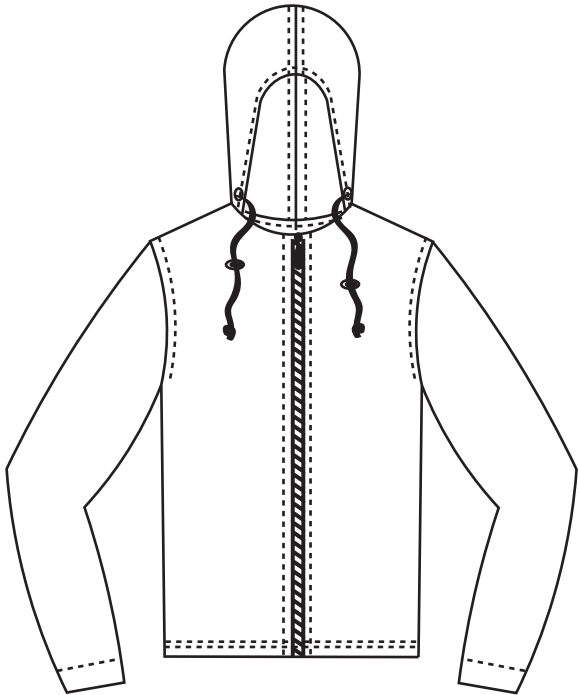


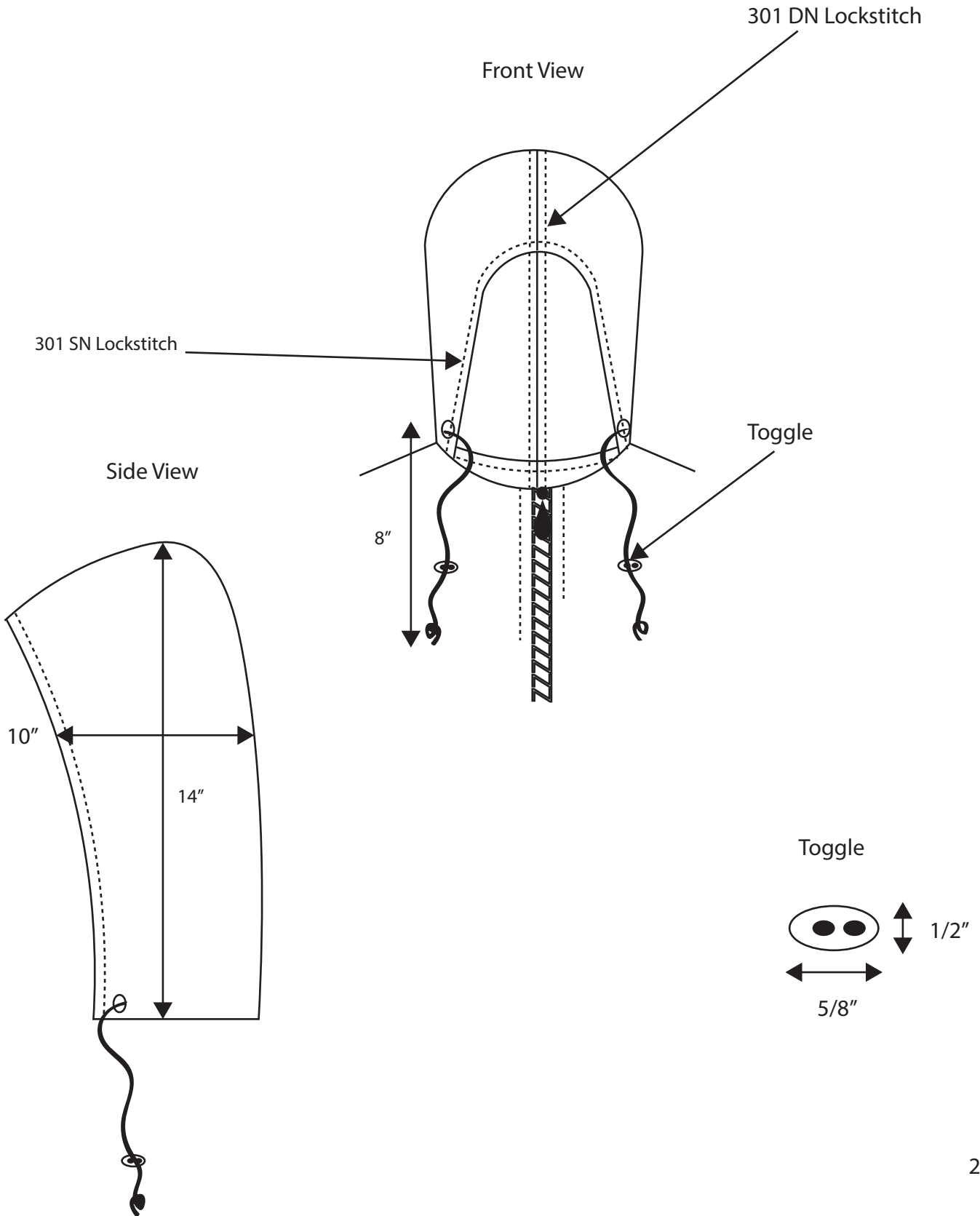
Nomadic Development, INC. FABRIC/TRIM/COLOR PAGE		
Proto# SM-00-0002 Style# 0 Season: Spring 2016 DEPT: Mens Fit Type: Sweater Brand: Nomadic Status: Prototype-1		Size Range: Mens, S-XXXL Sample Size: L Designer: Ariana Date First Sent: 12/09/2015 Date Revised: 0 Fabrication: 12gg

Types (Fabric, Trim, Thread)	Location	Size/Qty	Color
100% cotton	Main Body	Main Body	Heather Gray, Jade Green, Desert Tan, Bartlett Blue
Thread	Main Body	Main Body	Black

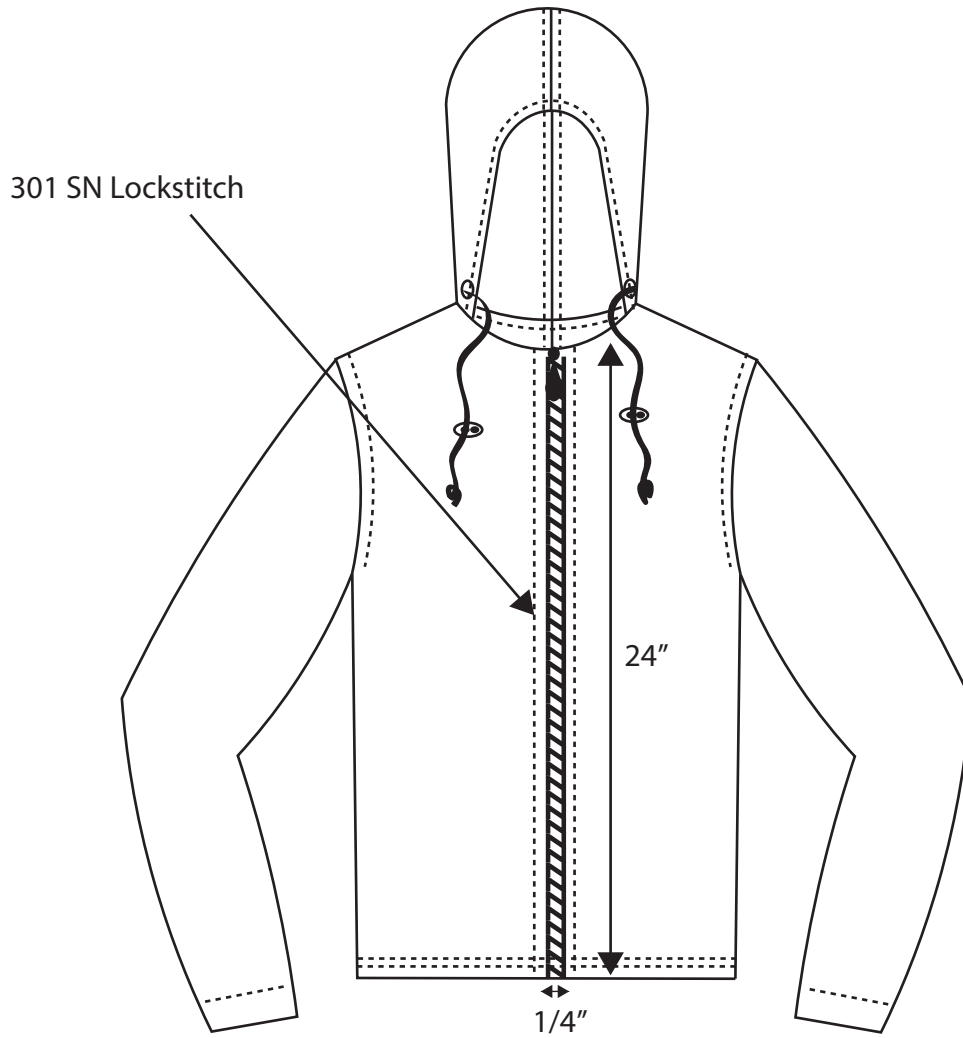


Ariana Andres
Design 1 Tech Pack
Front and Back Sketch
1/8 Scale

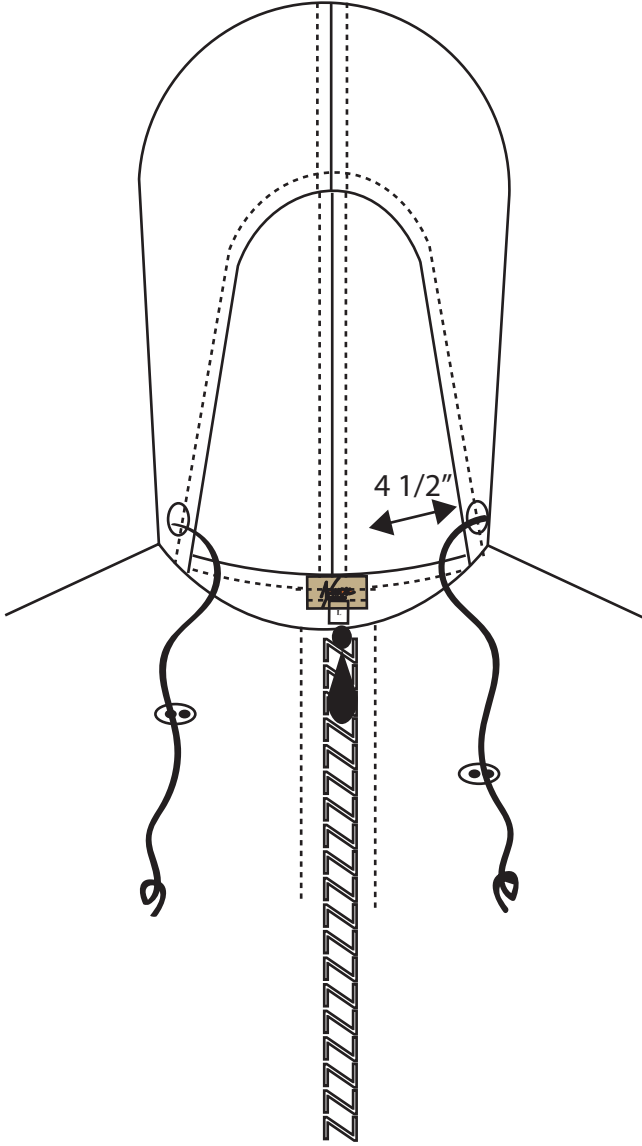




Ariana Andres
Design 1 Tech Pack
Zipper Detail
1/4 Scale



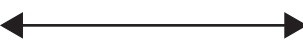
Ariana Andres
Design 1 Tech Pack
Marketing Page
Interior View
1/2 Scale



Main Label



1"



1 1/2"

Size Label

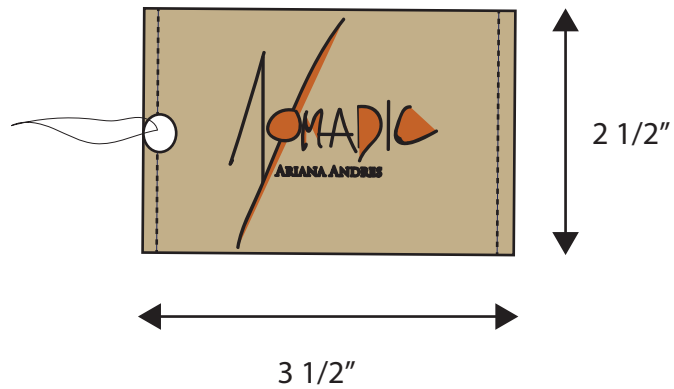
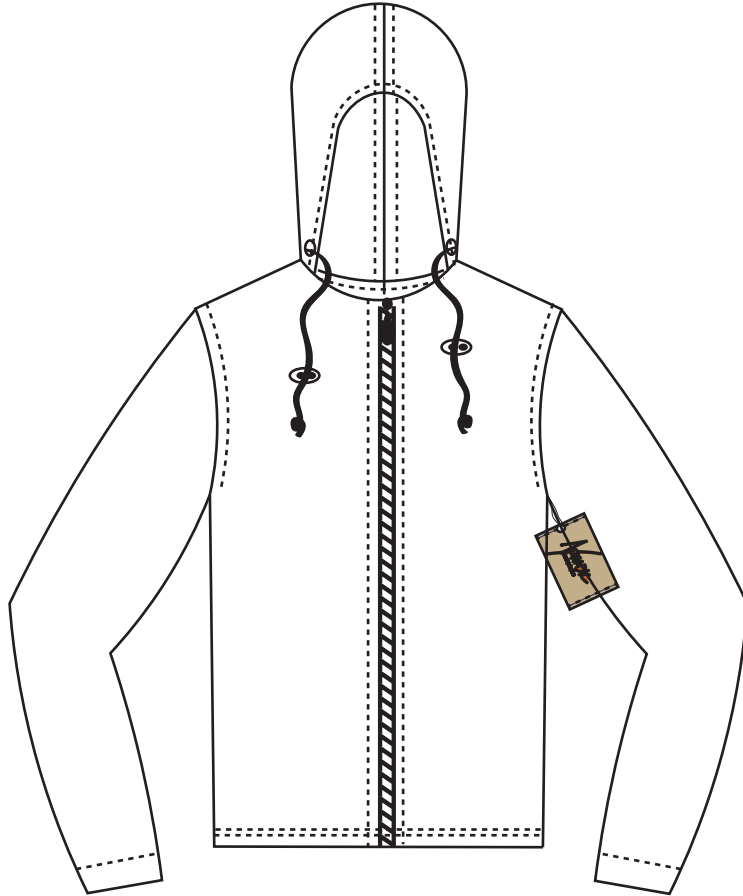


3/4"



3/4"

Ariana Andres
Design 1 Tech Pack
Marketing Page
Exterior View
1/4 Scale





Nomadic Development, INC.
SPEC PAGE

Proto# SM-00-0001
Style# 0
Season: Spring 2016
DEPT: Mens
Fit Type: Jacket
Brand: Nomadic
Status: Prototype-1

Size Range: Mens, S-XXXL
Sample Size: L
Designer: Ariana
Date First Sent: 12/09/2015
Date Revised: 0
Fabrication: 12gg

Specs	Tolerance	Men's Jacket Measurements (LRG)
Chest Width- 1" blw armhole	+1/2	20 1/2"
BTM Opening	+1/2	20"
Across Shoulder	+1/2	18 1/4"
High Chest Width (5 1/2" below HPS)	+1/2	17
Length		
a. HPS	a. +1/2	a. 28 1/4"
b. CF/CB	b. +1/2	b. 23 3/4" & 26 3/8"
c. Side	c. +1/2	c. 16 1/2"
Across Waist	+1/2	20 1/4"
Shoulder Length	+1/4	5 3/4"
Sleeve Length		
a. Overarm	a. +1/4	a. 25"
b. Underarm	b. +1/4	b. 18"
c. CB	c. +1/4	c. 31"
d. HPS	d. +1/4	d. 31 1/4"
Neck Width	+1/4	5"
Front Neck Drop-FM HPS	+1/8	1 7/8"
Back Neck Drop-FM HPS	+1/8	1/4"
Cuff Opening	+1/4	3 3/8"
Shoulder Slope	+1/4	2"
SLV Hem Height	+1/8	2 1/4"
BTM Hem Height	+1/8	2 1/4"
Hood Length & Width	+1/8	14" & 10"
Zipper Length	+1/8	24 1/2"
Front Ties Length	+1/8	8"



Nomadic Development, INC.
CONSTRUCTION PAGE

Proto# SM-00-0001
Style# 0
Season: Spring 2016
DEPT: Mens
Fit Type: Jacket
Brand: Nomadic
Status: Prototype-1

Size Range: Mens, S-XXXL
Sample Size: L
Designer: Ariana
Date First Sent: 12/09/2015
Date Revised: 0
Fabrication: 12gg

Seam Name	Seam Type/Stitch Type	Description
Outseam	512-4 thread overedge, mock safety stitch	Join front and back together with ½" seam allowance.
Bottom Opening	406 2-needle bottom coverstitch	Fold the edge of the bottom
Armhole	301 single needle lockstitch	Set in sleeve
Sleeve (Outseam and Inseam)	301 single needle lockstitch	Join front and back arm pieces together with ½" seam allowance.
Topstitching	301 single needle lockstitch	Topstitch on hood, armhole, and hems.
Hood	301 double needle lockstitch	Join hood piece and neck opening with a ½" seam allowance.
Zipper	301 single needle lockstitch	Place zipper in CF of body and sew on both sides.

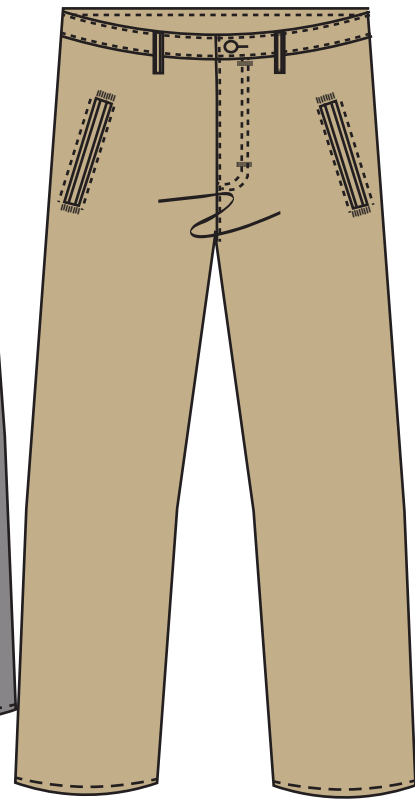
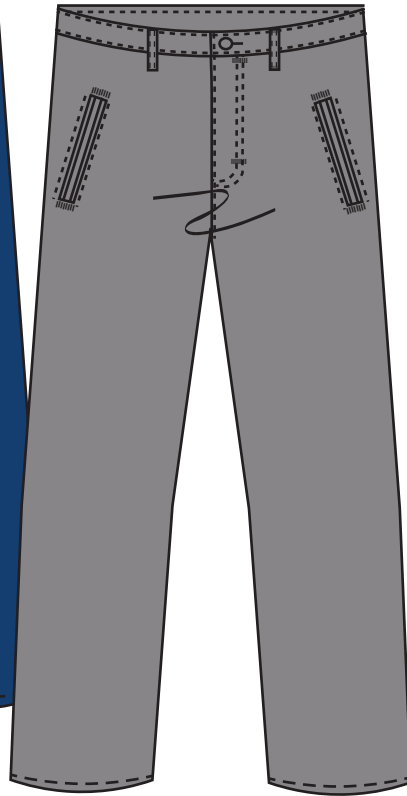
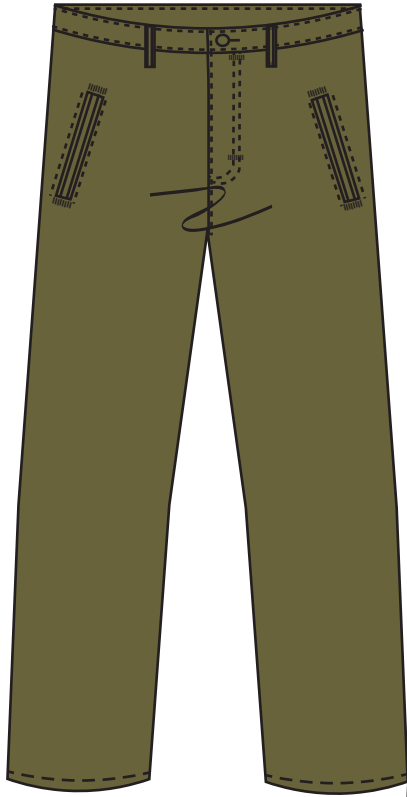


Nomadic Development, INC.
FABRIC/TRIM/COLOR PAGE

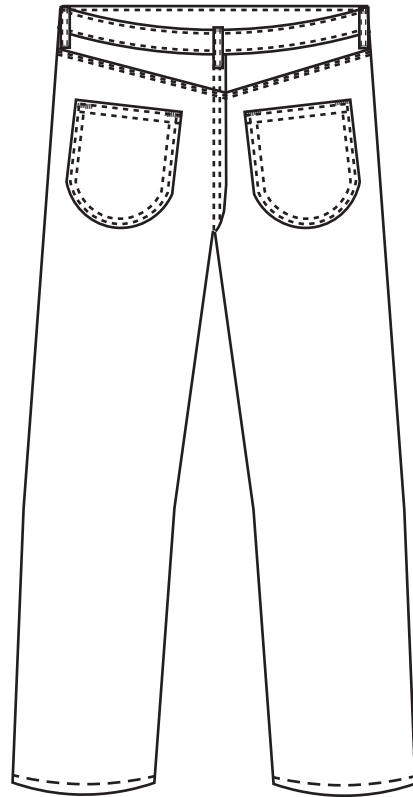
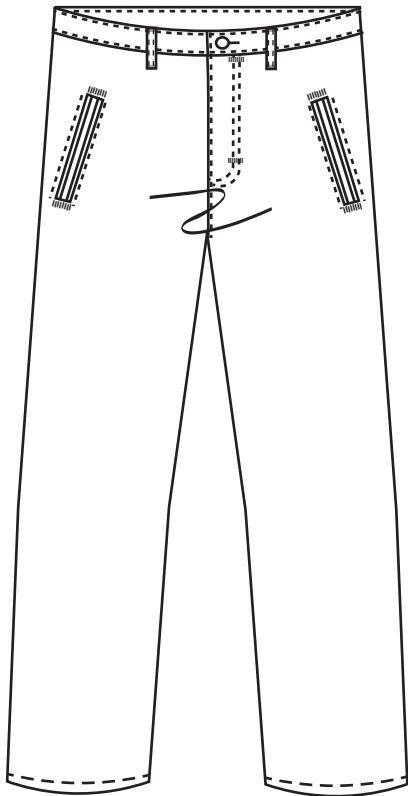
Proto# SM-00-0001
Style# 0
Season: Spring 2016
DEPT: Mens
Fit Type: Jacket
Brand: Nomadic
Status: Prototype-1

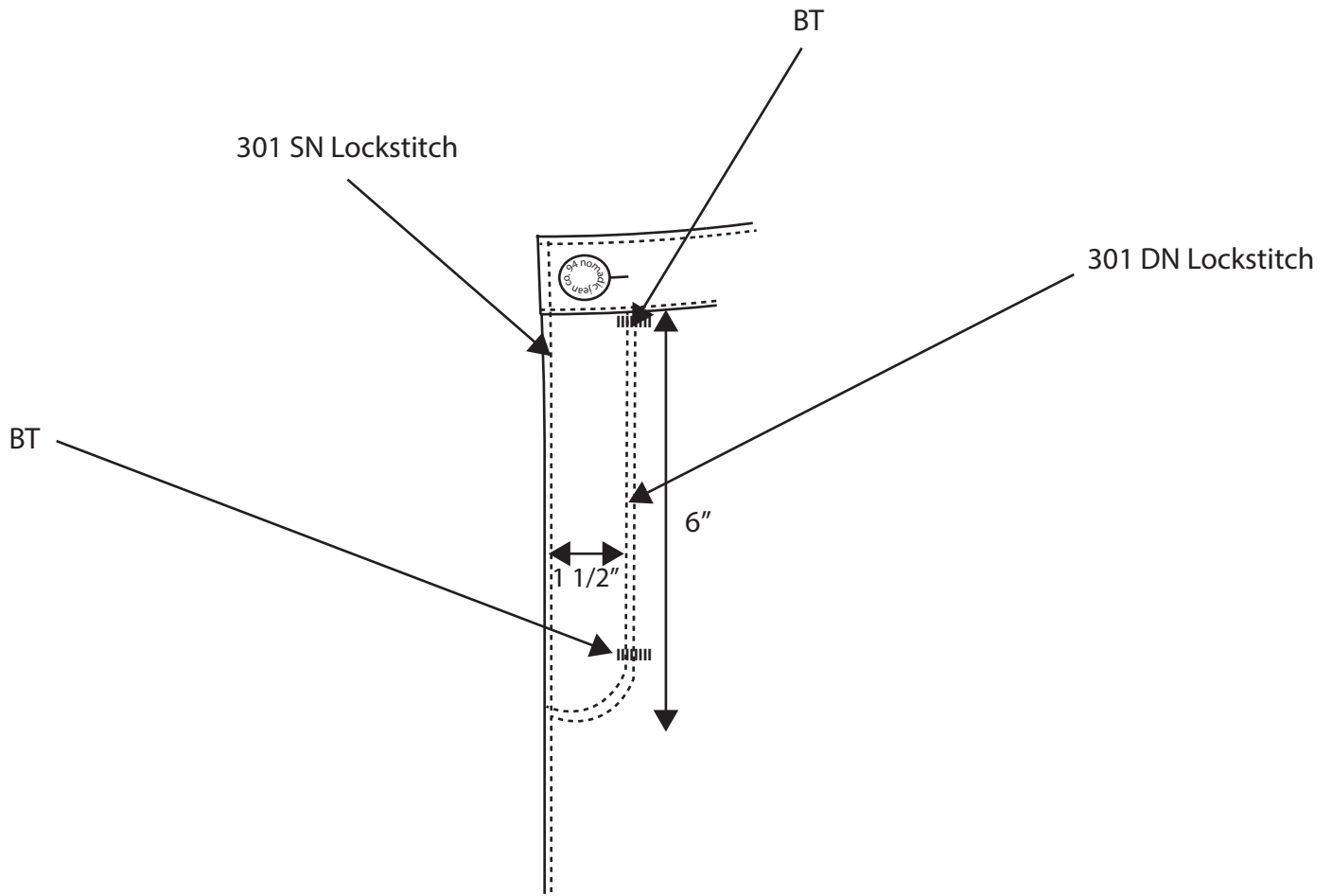
Size Range: Mens, S-XXXL
Sample Size: L
Designer: Ariana
Date First Sent: 12/09/2015
Date Revised: 0
Fabrication: 12gg

Types (Fabric, Trim, Thread)	Location	Size/Qty	Color
100% Polyester	Main Body	Main Body	Silver Gray, Muddy Red, Burning Blue, Forrest Green
Metal Zipper	Center Front	25" long/1	Silver
100% Cotton Ties	Hood	8" long on each side	White
Metal Tie Holes	Hood	2	Silver
Thread	Main Body	--	Black
Plastic Toggle	Hood ties	½" width and 5/8" long/2	Black

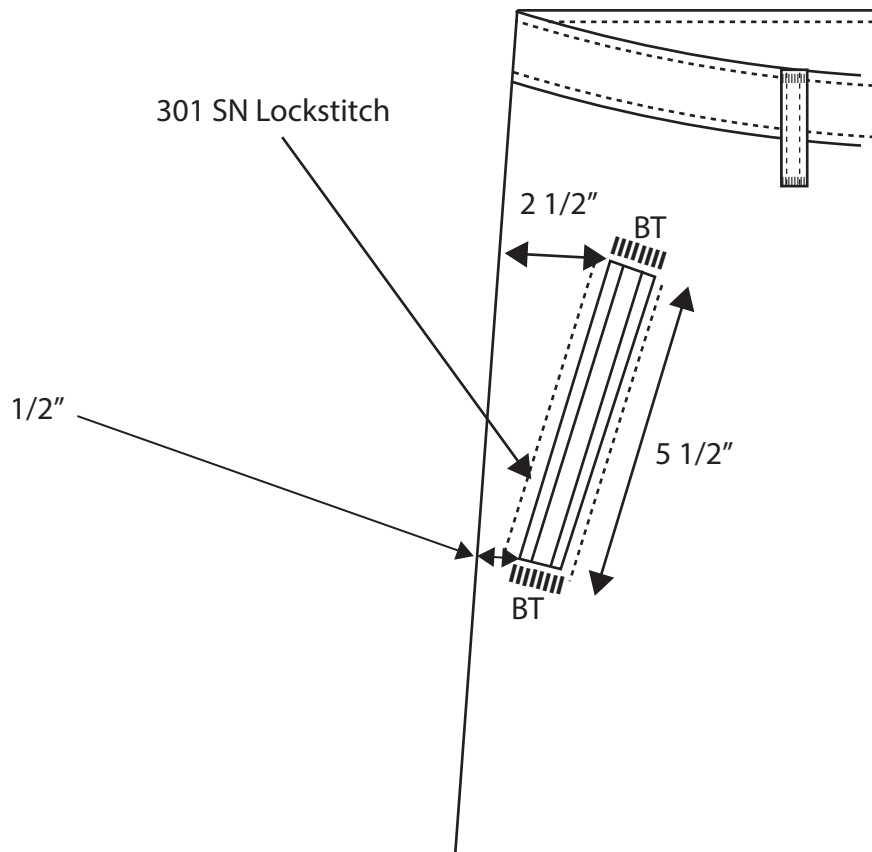


Ariana Andres
Design 4 Tech Pack
Front and Back Sketch
1/8 Scale

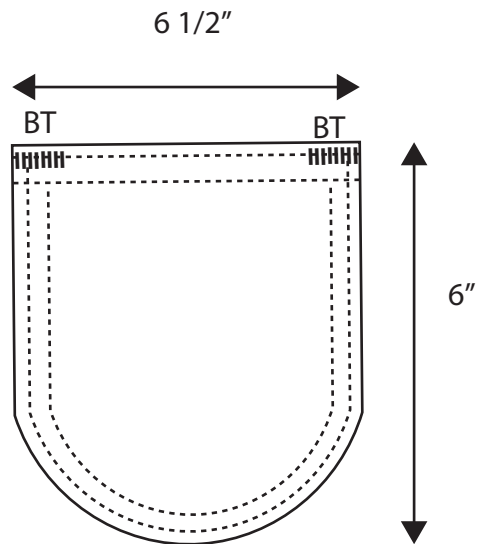
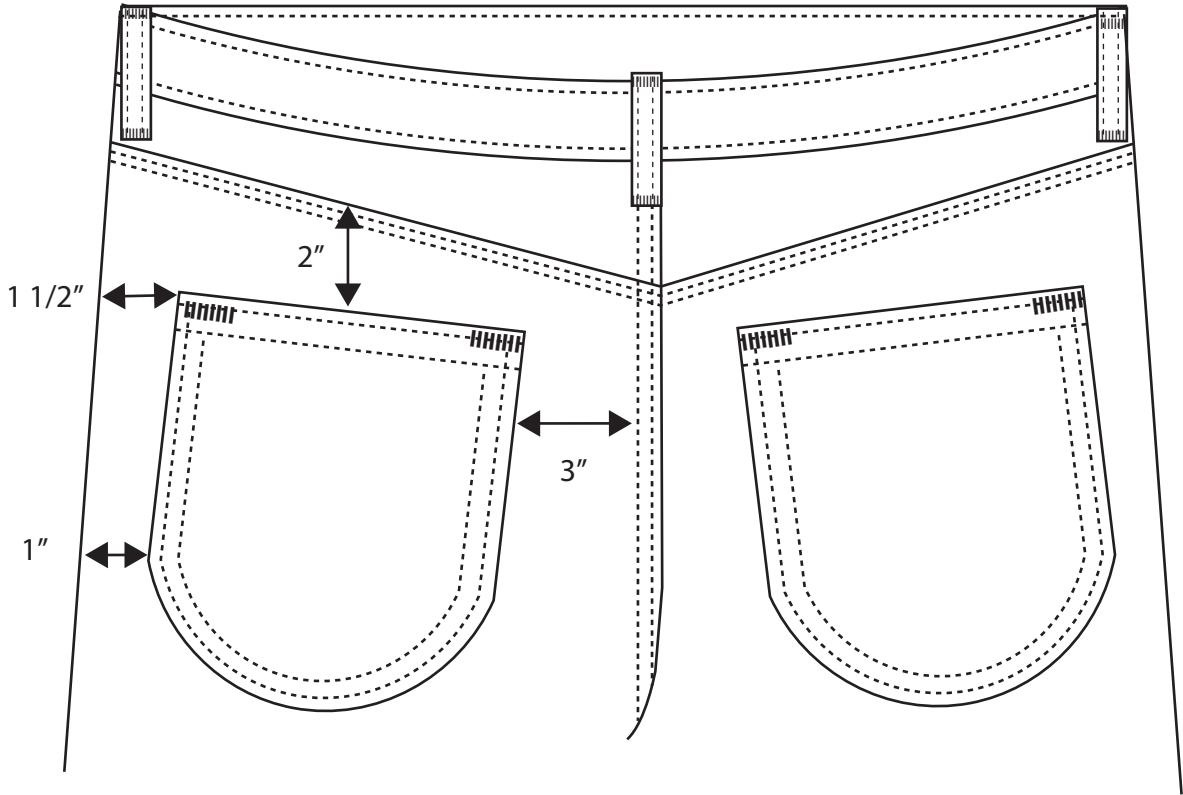




Ariana Andres
Design 4 Tech Pack
Front Pocket
Wearer's Right
1/2 Scale

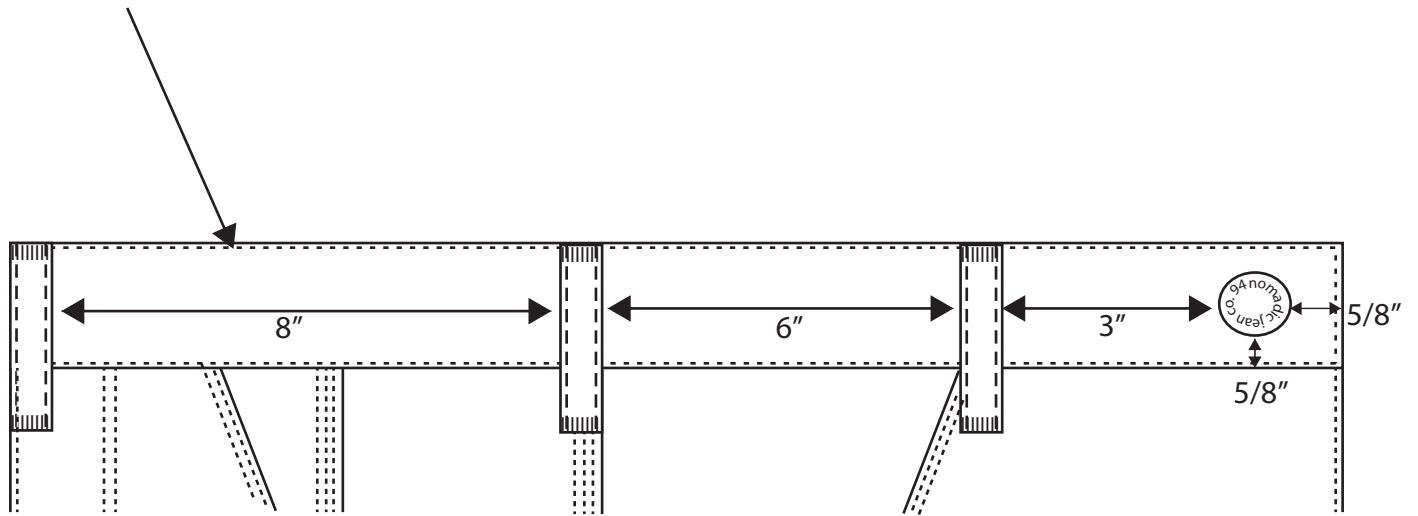


Ariana Andres
Design 4 Tech Pack
Back Pocket
1/2 Scale

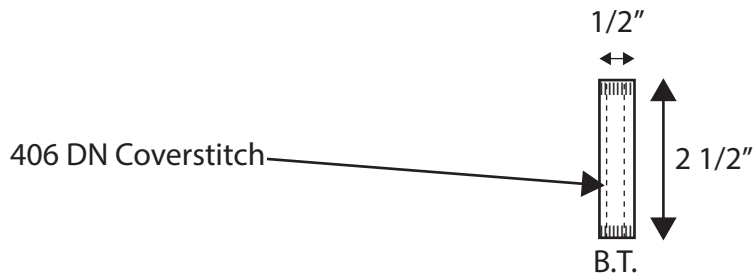




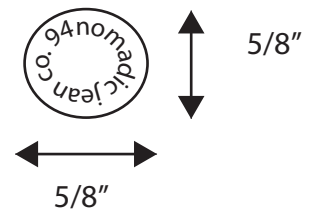
401 SN Chainstitch



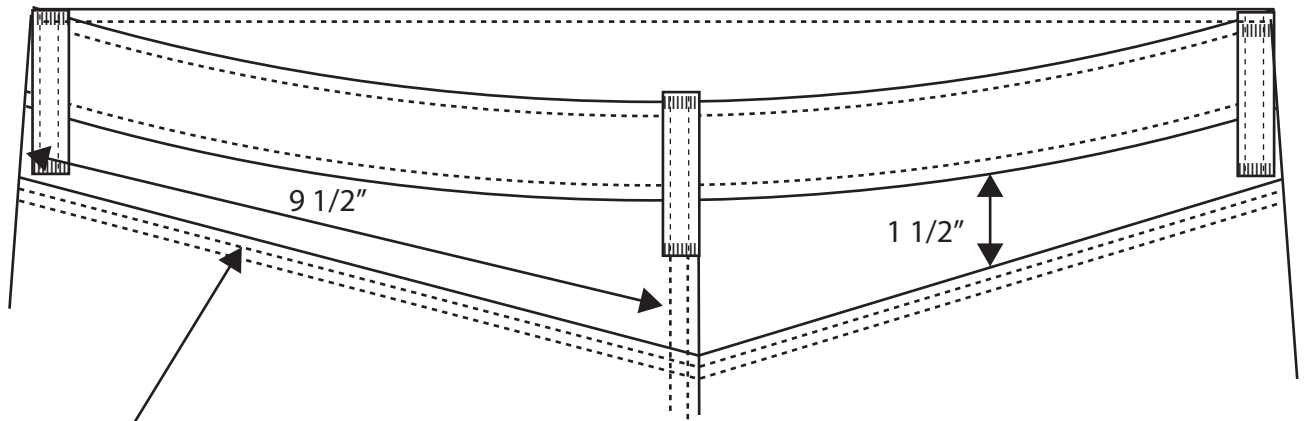
Belt Loop



Button



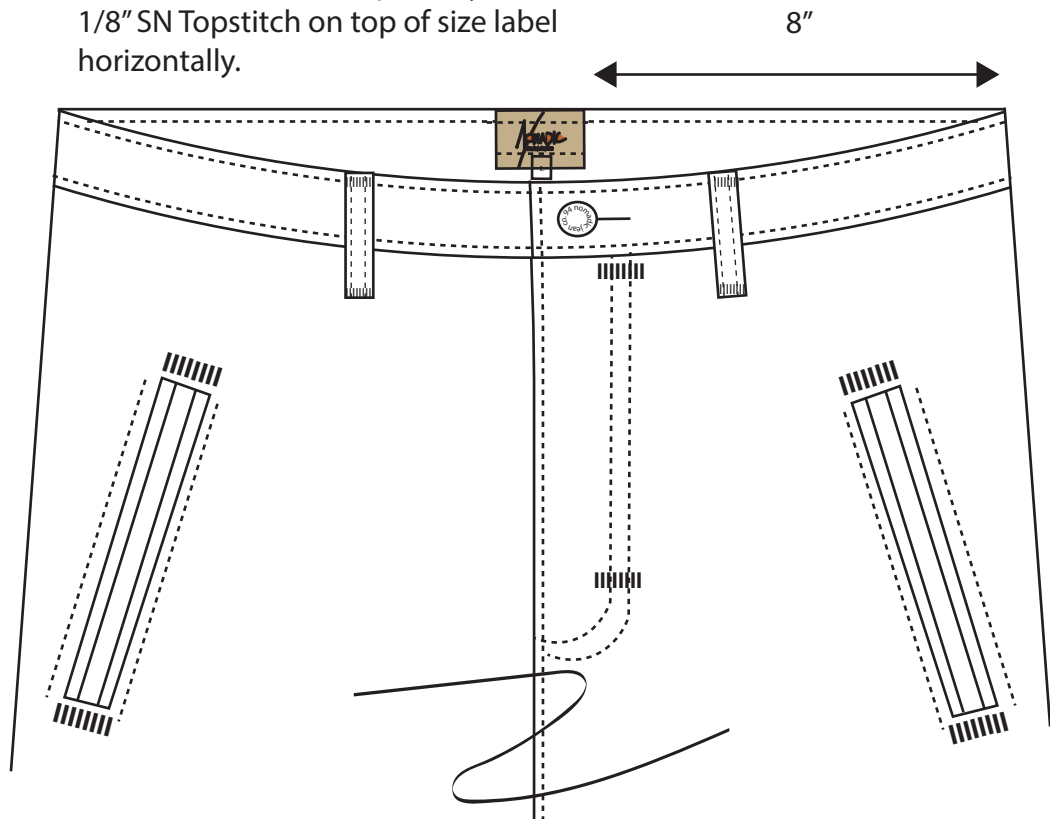
Ariana Andres
Design 4 Tech Pack
Yoke
1/2 Scale



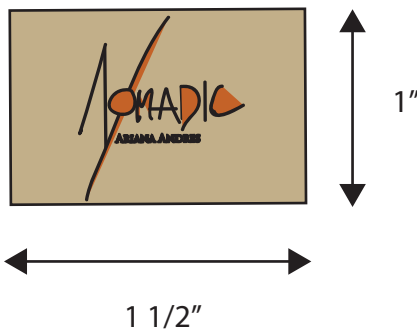
401 DN Chainstitch



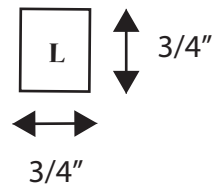
Main label attached separately with
1/8" SN Topstitch on top of size label
horizontally.



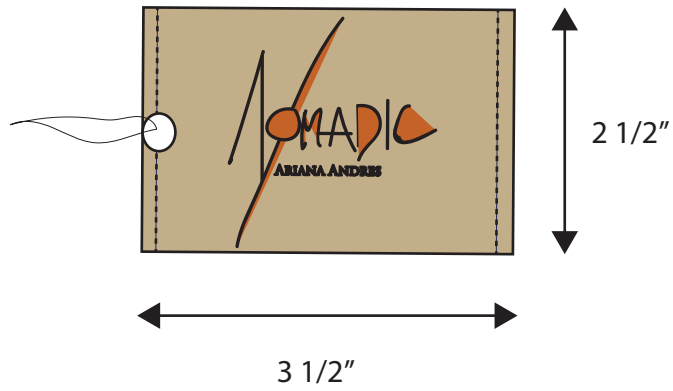
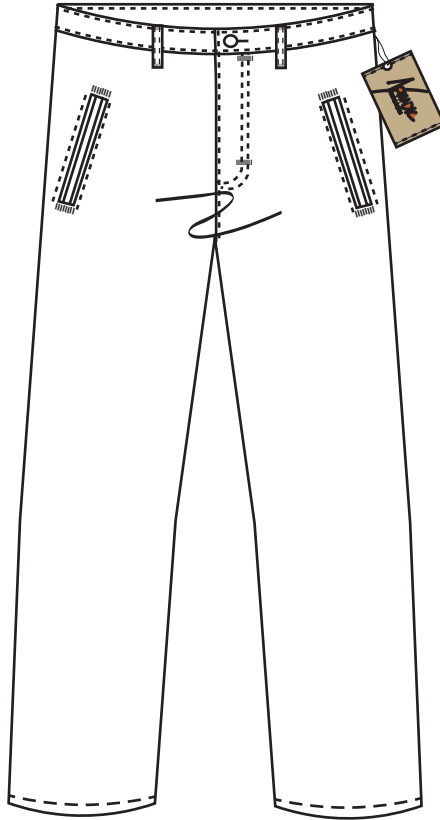
Main Label



Size Label



Ariana Andres
Design 4 Tech Pack
Marketing Page
Exterior View
1/4 Scale





Nomadic Development, INC.
SPEC PAGE

Proto# SM-00-0004
Style# 0
Season: Spring 2016
DEPT: Mens
Fit Type: Pants
Brand: Nomadic
Status: Prototype-1

Size Range: Mens, S-XXXL
Sample Size: L
Designer: Ariana
Date First Sent: 12/09/2015
Date Revised: 0
Fabrication: 12gg

Specs	Tolerance	Men's Pants Measurements (LRG)
Waist Circumference	+1/2	34"
Waistband Height	+1/8	1 1/2"
Seat-8" blw WB	+1/4	21"
Thigh-1" blw Crotch (1/2)	+1/4	12"
Knee-15" blw Crotch	+1/2	9 5/8"
Leg Opening (1/2)	+1/4	7 3/4"
Front Rise-blw WB	+1/4	17 1/2"
Back Rise-blw WB	+1/4	17"
Outseam Length	+1/2	38 1/2"
Inseam Length	+1/2	29
Fly Opening to Bartack	+1/4	5"
BTM Hem Height	+1/8	1/2"
Yoke Depth at CB	+1/8	2 1/2"
Yoke Depth at Outseam	+1/8	1"
Front Pocket Opening	+1/8	5 1/2"
Front Pocket Position FM Outseam	+1/8	2 1/2"
Back Pocket Length	+1/8	6"
Back Pocket Width	+1/8	6 1/2"
Back Pocket Position from Outseam	+1/8	1 1/2"
Zipper Length	+1/8	6"
Zipper Placket Length	+1/8	7"
Belt Loop Position FM CF	+1/8	3"
Belt Loop Position FM CB	+1/8	8"
Belt Loop Position FM S/S	+1/8	6"
Belt Loop Width	+1/8	1/2"
Belt Loop Height	+1/8	2 1/2"



Nomadic Development, INC. CONSTRUCTION PAGE		
Proto# SM-00-0004		Size Range: Mens, S-XXXL
Style# 0		Sample Size: L
Season: Spring 2016		Designer: Ariana
DEPT: Mens		Date First Sent: 12/09/2015
Fit Type: Pants		Date Revised: 0
Brand: Nomadic		Fabrication: 12gg
Status: Prototype-1		

Seam Name	Seam Type/Stitch Type	Description
Outseam	Flat felled seam/401 single needle chainstitch	Join front and back with ½" seam allowance.
Inseam	Flat felled seam/401 single needle chainstitch	Join front and back with ½" seam allowance.
Bottom Hem	Clean finish/401 single chainstitch	Fold the edge of the bottom hem.
Front Welt Pocket	Topstitch, 301 single needle lockstitch	Insert pockets on both sides of pants.
Back Patch Pocket	Topstitch, 301 double needle lockstitch	Topstitch back patch pocket.
Waistband	401 single needle chainstitch	Topstitch on 1/8" from top and bottom of waistband.
Yoke	401 2-needle chainstitch	Join yoke with waistband.
Belt Loops	406 2-needle coverstitch	Place two beltloops in front and three beltloops in back of waistband.
Button Hole	Topstitch	Place 5/8" away from CF opening.

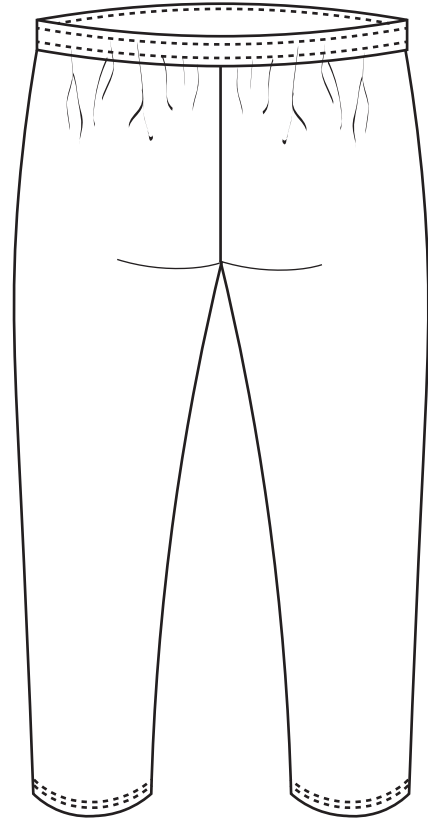
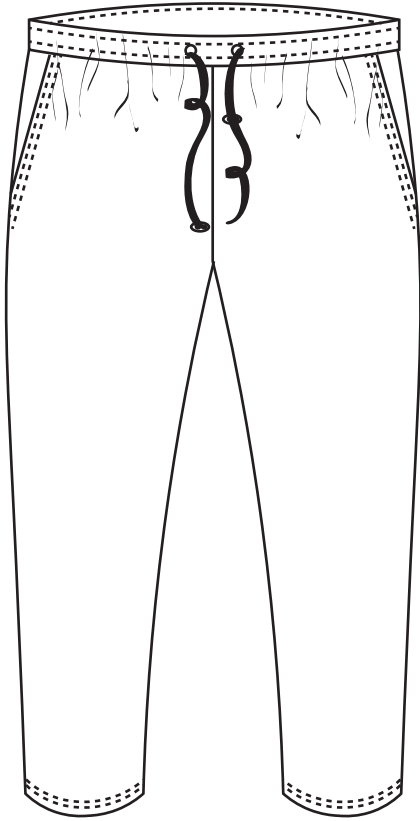


Nomadic Development, INC. FABRIC/TRIM/COLOR PAGE		
Proto# SM-00-0004 Style# 0 Season: Spring 2016 DEPT: Mens Fit Type: Pants Brand: Nomadic Status: Prototype-1		Size Range: Mens, S-XXXL Sample Size: L Designer: Ariana Date First Sent: 12/09/2015 Date Revised: 0 Fabrication: 12gg

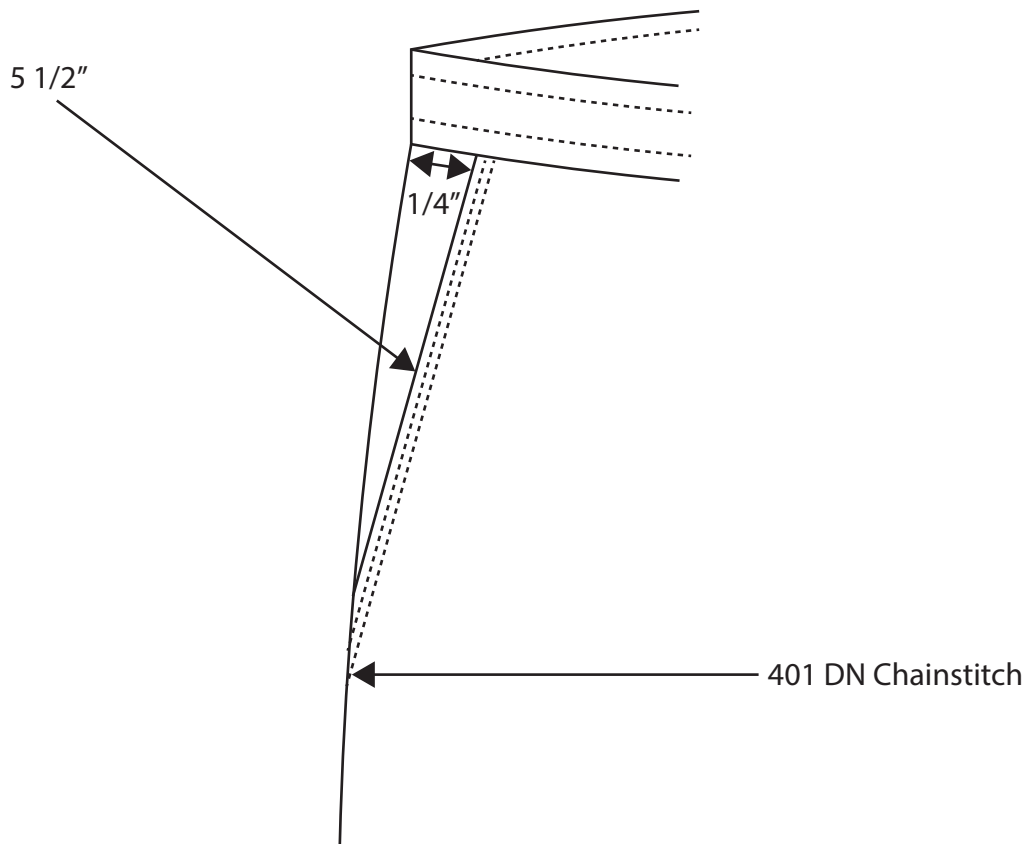
Types (Fabric, Trim, Thread)	Location	Size/Qty	Color
100% Cotton (Twill)	Main Body	Main Body	Olive Green, Blazing Blue, Grazed Gray, Khaki Tan
Metal Button	CF Opening	¾" all around/1	Silver
Thread	Main Body	--	Black
Front Welt Pocket	See Detail Page	5 ½" long/2	--
Back Patch Pocket	See Detail Page	6 ½" width and 6" long/2	--

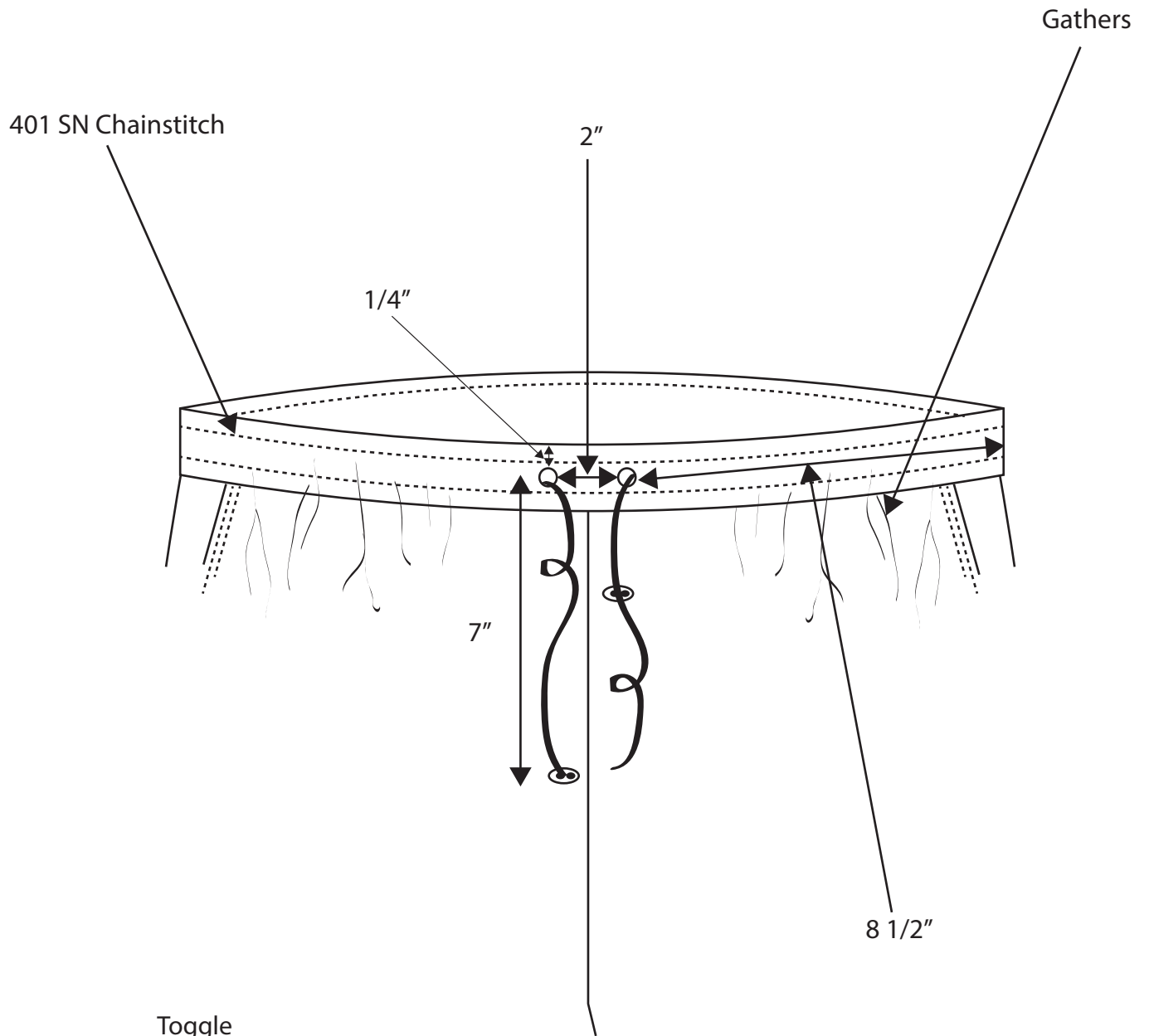


Ariana Andres
Design 5 Tech Pack
Front and Back Sketch
1/8 Scale

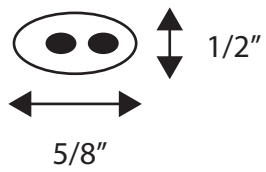


Ariana Andres
Design 5 Tech Pack
Front Pocket
Wearer's Right
1/2 Scale



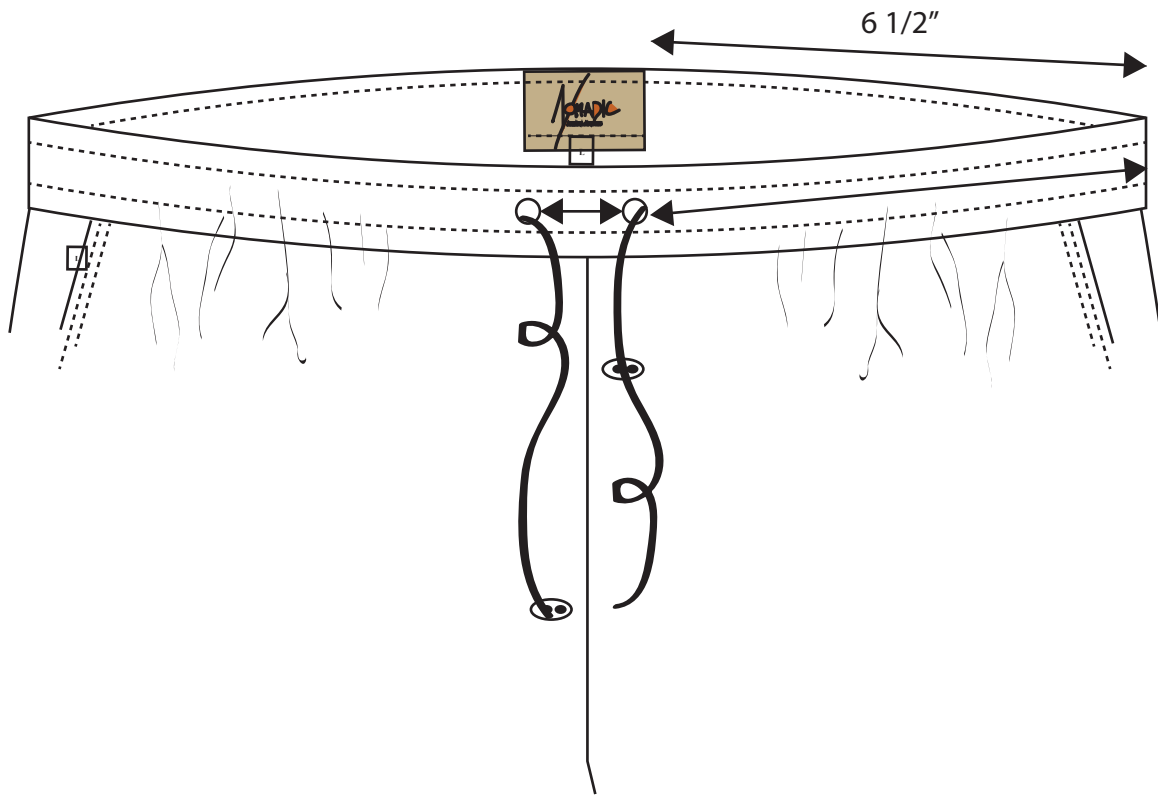


Toggle

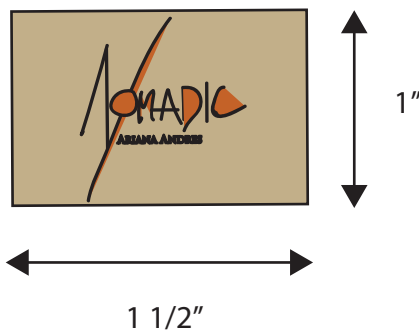




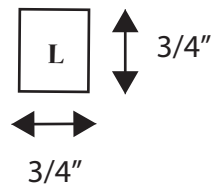
Main label attached separately with 1/8" SN Topstitch on top of size label horizontally.



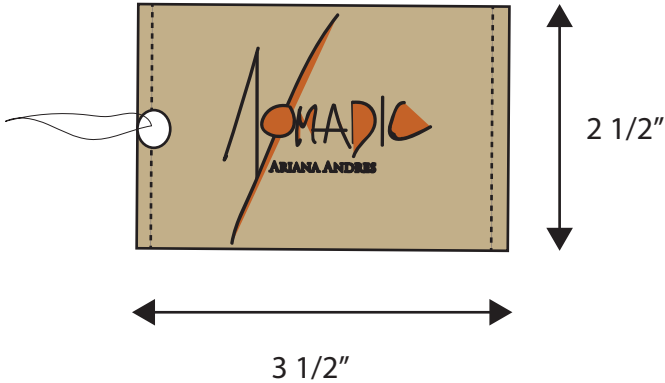
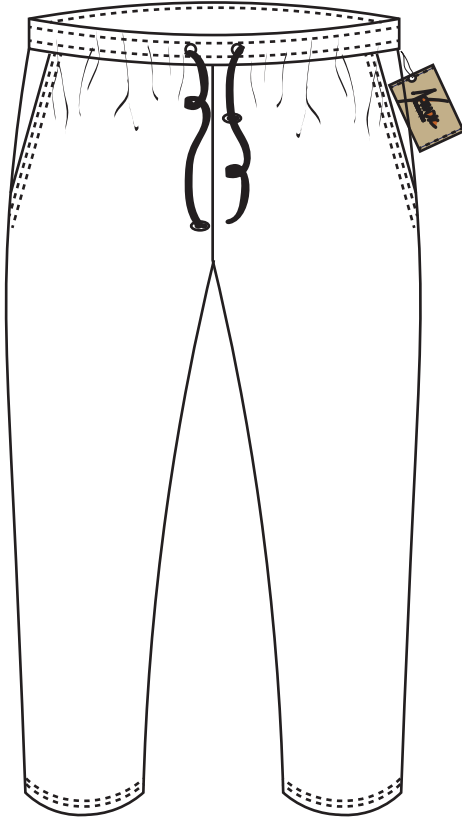
Main Label



Size Label



Ariana Andres
Design 5 Tech Pack
Marketing Page
Exterior View
1/4 Scale





Nomadic Development, INC.
SPEC PAGE

Proto# SM-00-0005
Style# 0
Season: Spring 2016
DEPT: Mens
Fit Type: Jogger
Brand: Nomadic
Status: Prototype-1

Size Range: Mens, S-XXXL
Sample Size: L
Designer: Ariana
Date First Sent: 12/09/2015
Date Revised: 0
Fabrication: 12gg

Specs	Tolerance	Men's Jogger Measurements (LRG)
Waist Circumference (relaxed)	+1/2	28"
Waistband Height	+1/8	1 1/2"
Seat-8" blw WB	+1/4	21"
Thigh-1" blw Crotch (1/2)	+1/4	12"
Knee-15" blw Crotch	+1/2	9 5/8"
Leg Opening (1/2)	+1/4	6"
Front Rise-blw WB	+1/4	17 1/2"
Back Rise-blw WB	+1/4	17"
Outseam Length	+1/2	39"
Inseam Length	+1/2	26 1/2"
BTM Hem Height	+1/8	1/2"
Front Pocket Opening	+1/8	5 1/2"
Front Pocket Position FM Outseam	+1/8	1/4"
Front Ties Length	+1/8	7"



Nomadic Development, INC.
CONSTRUCTION PAGE

Proto# SM-00-0005
Style# 0
Season: Spring 2016
DEPT: Mens
Fit Type: Jogger
Brand: Nomadic
Status: Prototype-1

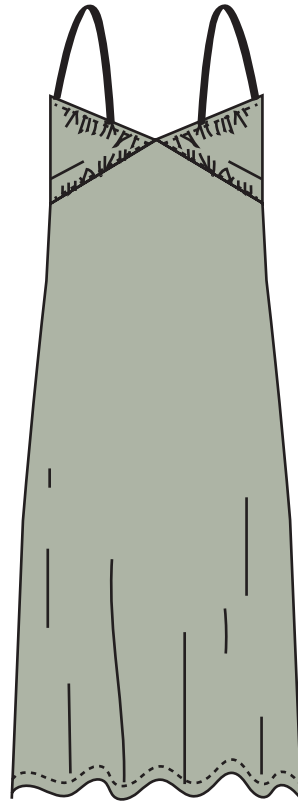
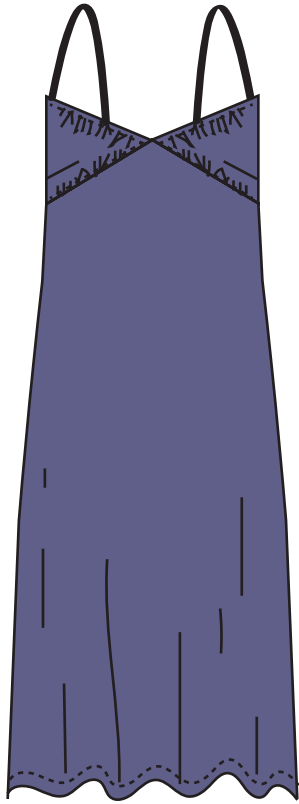
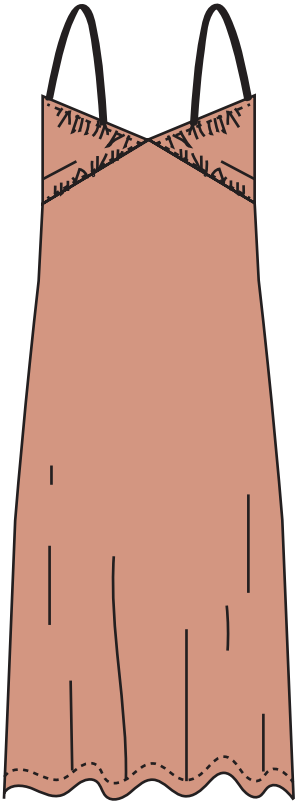
Size Range: Mens, S-XXXL
Sample Size: L
Designer: Ariana
Date First Sent: 12/09/2015
Date Revised: 0
Fabrication: 12gg

Seam Name	Seam Type/Stitch Type	Description
Outseam	Flat felled seam/401 single chainstitch	Join front and back with ½" seam allowance.
Inseam	Flat felled seam/401 single chainstitch	Join front and back with ½" seam allowance.
Bottom Hem	Clean Finish/401 2-needle chainstitch	Fold the edge of the bottom hem.
Waist	401 single needle chainstitch	Topstitch on 1/8" from top and bottom of waistband.
Side Pockets	401 2-needle chainstitch	Insert side pockets ¼" away from the outerseams.

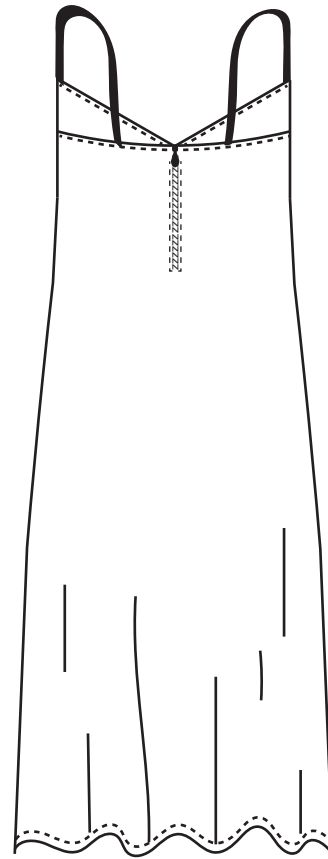
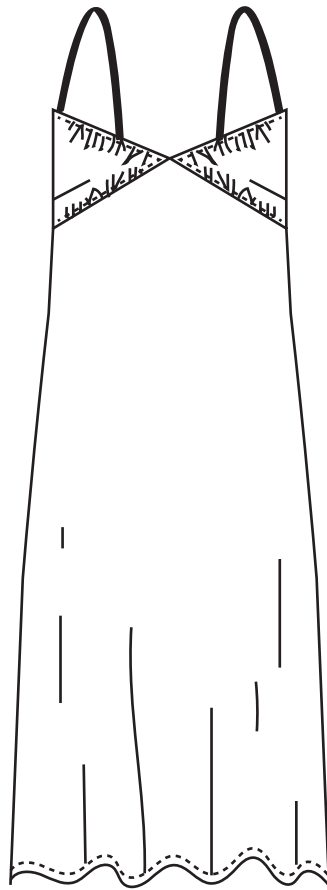


Nomadic Development, INC. FABRIC/TRIM/COLOR PAGE		
Proto# SM-00-0005 Style# 0 Season: Spring 2016 DEPT: Mens Fit Type: Jogger Brand: Nomadic Status: Prototype-1		Size Range: Mens, S-XXXL Sample Size: L Designer: Ariana Date First Sent: 12/09/2015 Date Revised: 0 Fabrication: 12gg

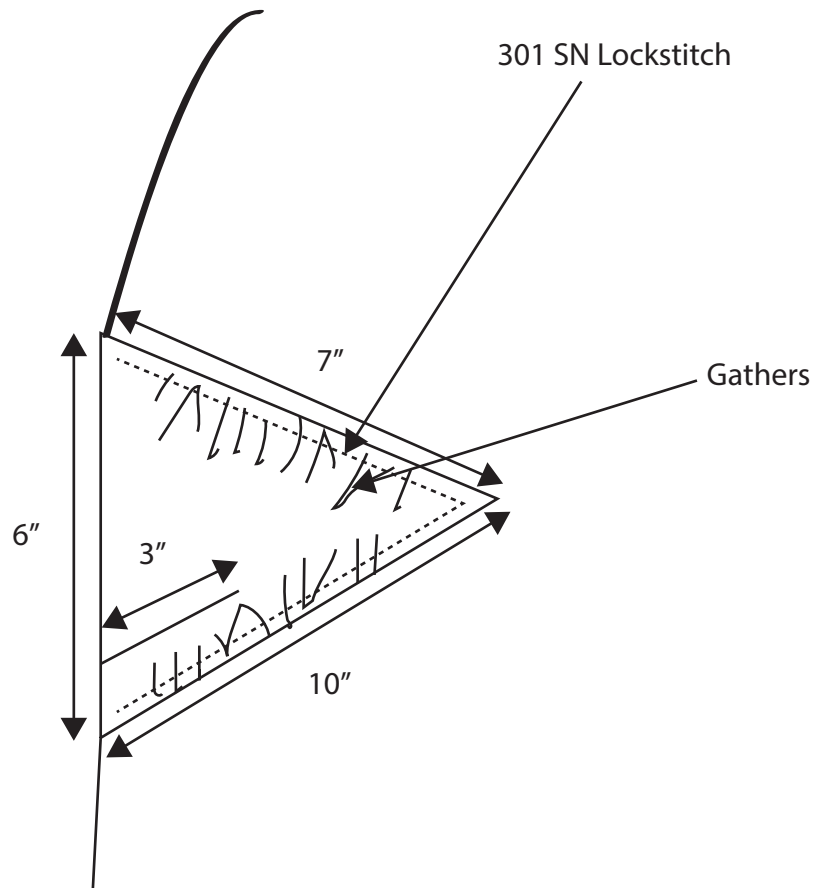
Types (Fabric, Trim, Thread)	Location	Size/Qty	Color
100% cotton (French terry)	Main Body	Main Body	Olive Green, Muddy Red, Grazed Gray, Khaki Tan
Tie Holes	CF Waistband	¾" all around/2	Silver
Thread	Main Body	--	Black
Front Side Pocket	Front outseams	5 ½" long/2	See Detail Page
100% Cotton Ties	Waistband	7" long/2	White



Ariana Andres
Design 6 Tech Pack
Front and Back Sketch
1/8 Scale

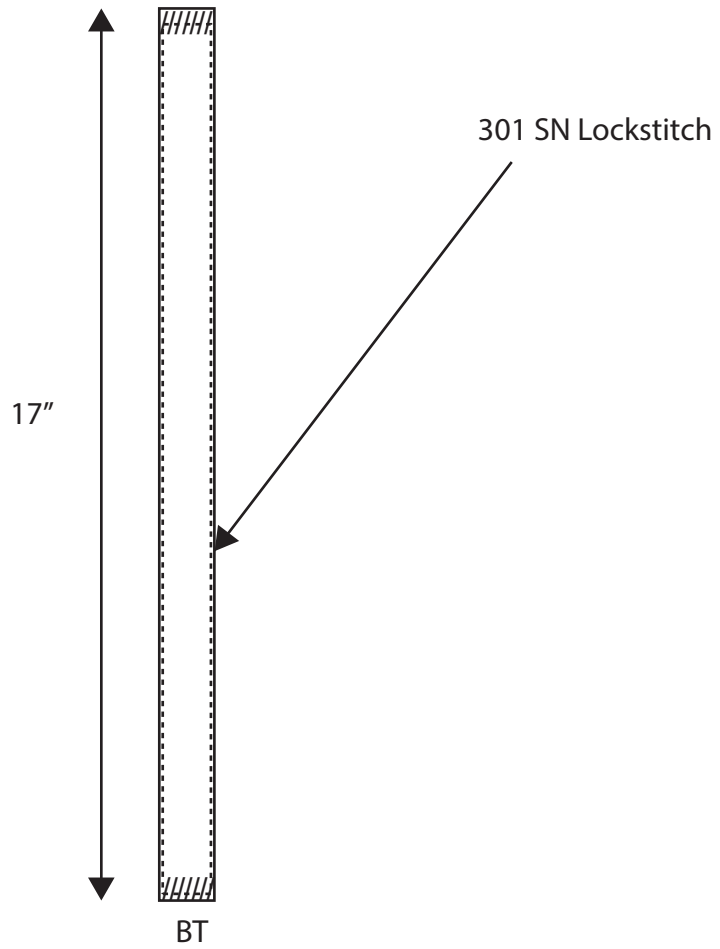


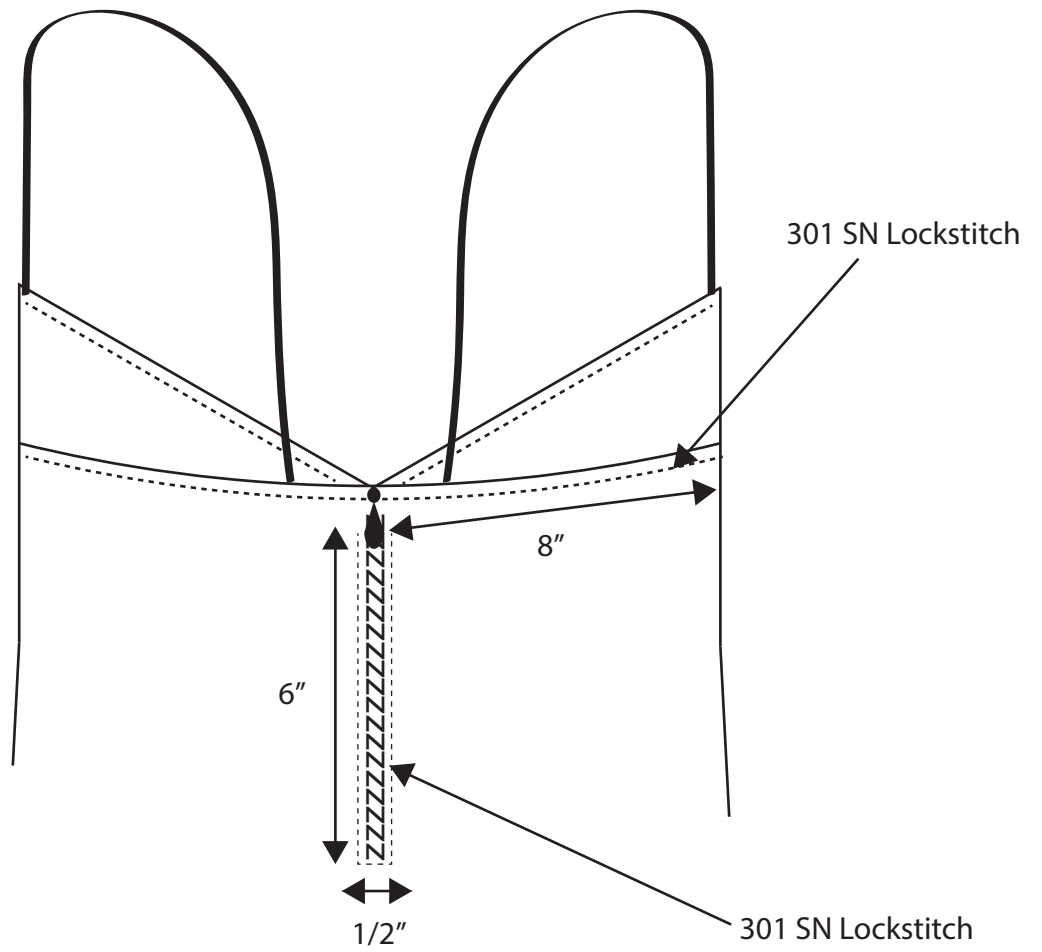
Ariana Andres
Design 6 Tech Pack
Arm Hole
Wearer's Right
1/2 Scale





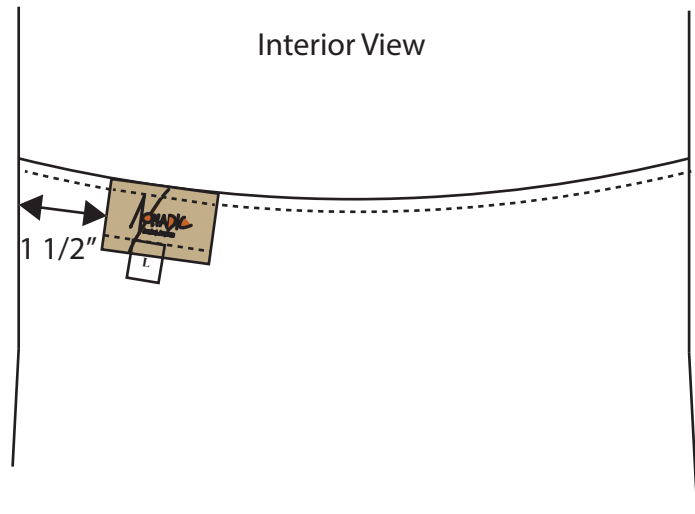
Full Length Strap



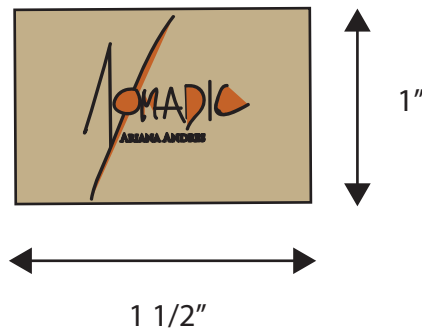




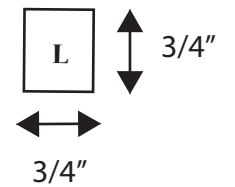
Main label attached separately with 1/8" SN Topstitch on top of size label horizontally.



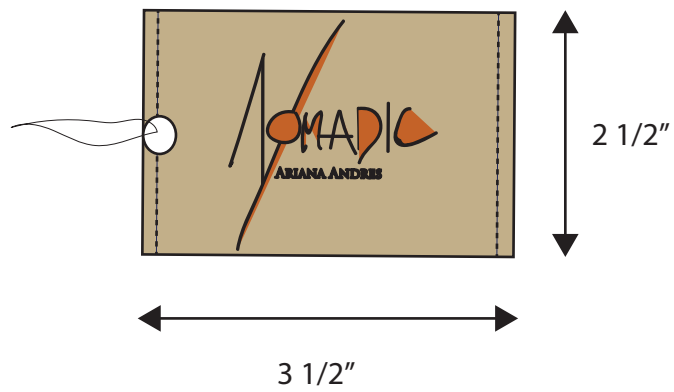
Main Label



Size Label



Ariana Andres
Design 6 Tech Pack
Marketing Page
Exterior View
1/8 Scale





Nomadic Development, INC.
SPEC PAGE

Proto# SM-00-0006
Style# 0
Season: Spring 2016
DEPT: Womens
Fit Type: Dress
Brand: Nomadic
Status: Prototype-1

Size Range: Womens, S-XXXL
Sample Size: L
Designer: Ariana
Date First Sent: 12/09/2015
Date Revised: 0
Fabrication: 12gg

Specs	Tolerance	Women's Dress Measurements (LRG)
Chest Width- 1" blw armhole (1/2)	+1/2	16 1/2"
BTM Opening (extended)	+1/2	32"
High Chest Width (5 1/2" below HPS)	+1/2	10"
Length		
a. HPS	a. +-1/2	a. 50"
b. CF/CB	b. +-1/2	b. 41 3/4" & 39 1/4"
c. Side	c. +-1/2	c. 35"
Strap Length	+1/2	17"
BTM Hem Height	+1/8	1/4"
CB Zipper Length and Width	+1/8	6" and 1/2"
Chest Darts Length and Width	+1/8	3" and 1/4"



Nomadic Development, INC.
CONSTRUCTION PAGE

Proto# SM-00-0006
Style# 0
Season: Spring 2016
DEPT: Womens
Fit Type: Dress
Brand: Nomadic
Status: Prototype-1

Size Range: Womens, S-XXXL
Sample Size: L
Designer: Ariana
Date First Sent: 12/09/2015
Date Revised: 0
Fabrication: 12gg

Seam Name	Seam Type/Stitch Type	Description
Outseam	516 5-thread safety stitch	Join front and back with ½" seam allowance.
Straps	301 single needle lockstitch	Topstitch 1/8" from the edge of straps.
Bottom Hem	Clean Finish/301 2-needle lockstitch	Fold the edge of the bottom hem.
Gathers	301 single needle lockstitch	Base stitch gathers.
Darts	30 1 single needle lockstitch	Fold in dart ¼" in and stitch 3" inches long.
Topstitching	301 single needle lockstitch	Topstitch
Back Zipper	301 single needle lockstitch	Place zipper on CB and sew on both sides.



Nomadic Development, INC.
FABRIC/TRIM/COLOR PAGE

Proto# SM-00-0006
Style# 0
Season: Spring 2016
DEPT: Womens
Fit Type: Dress
Brand: Nomadic
Status: Prototype-1

Size Range: Womens, S-XXXL
Sample Size: L
Designer: Ariana
Date First Sent: 12/09/2015
Date Revised: 0
Fabrication: 12gg

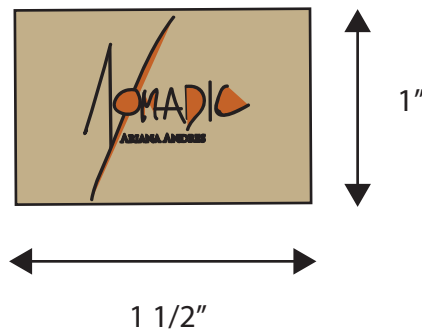
Types (Fabric, Trim, Thread)	Location	Size/Qty	Color
100% Polyester	Main Body	Main Body	Peachy Pink, Lavender Purple, Misty Green, Flower Power Print
Thread	Main Body	--	Black
100% Polyester Straps	Shoulders	17" long/2	Depends on the main body color
Metal Back Zipper	CB	6"long/1	Silver



Marketing Labels & Logo



Main Label



Size Label

