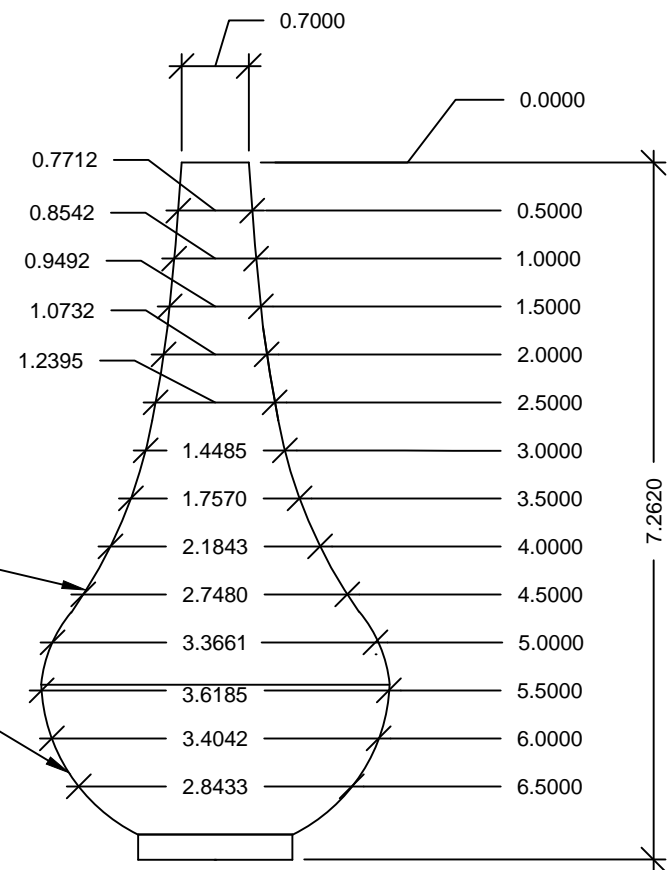
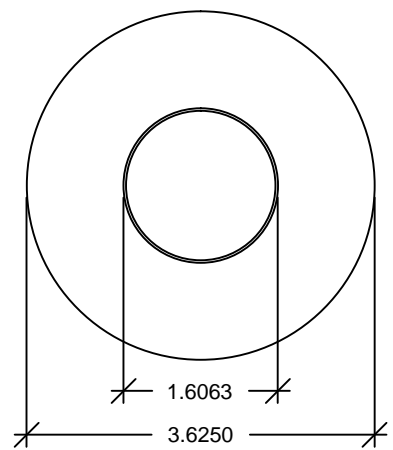


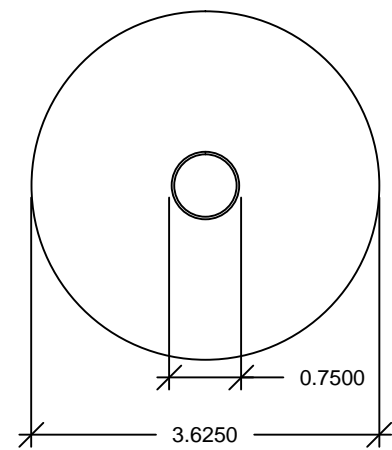
ELEVATION 1
HORN MUTE



ELEVATION 2
HORN MUTE



PLAN - BELOW
HORN MUTE



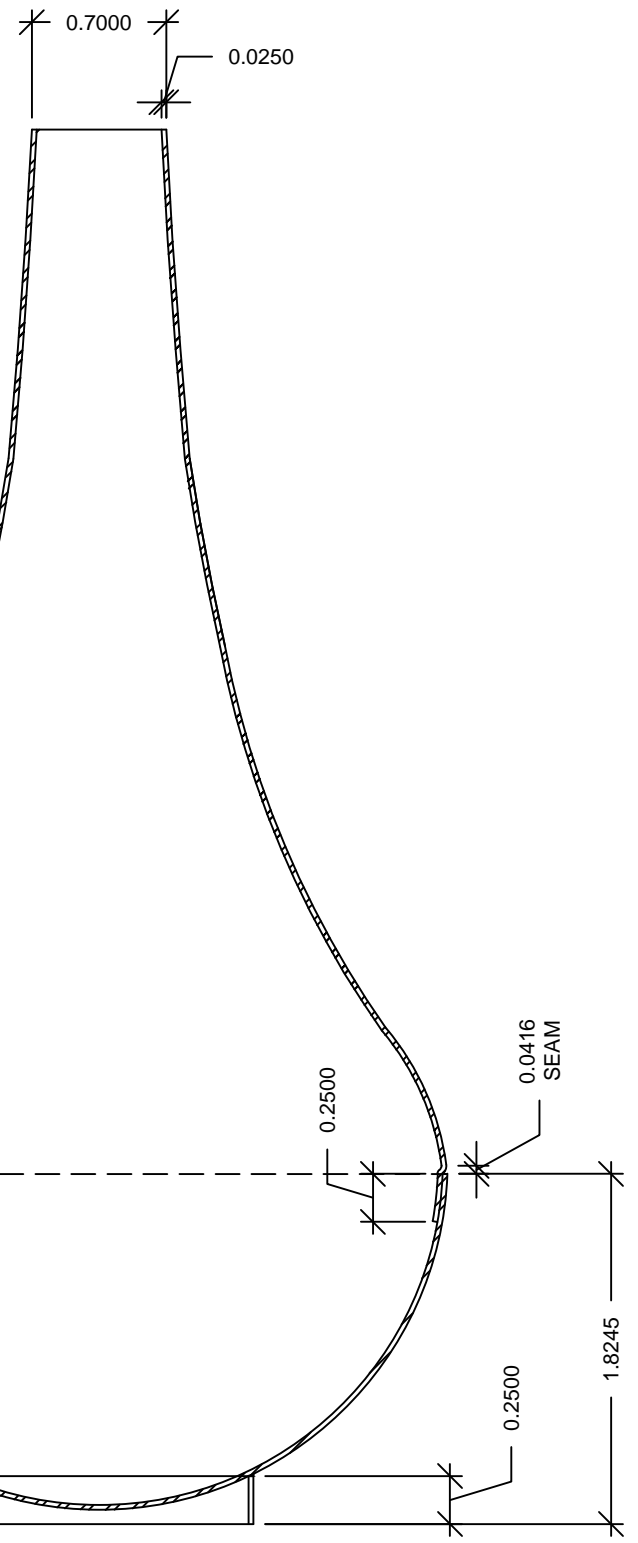
PLAN - ABOVE
HORN MUTE

0.025THK
ALUMINUM
EXTRUSION

0.025 THICK
COPPER EXTRUSION

LINE OF SEAM BEYOND

FILL WITH WELD



SECTION
HORN MUTE