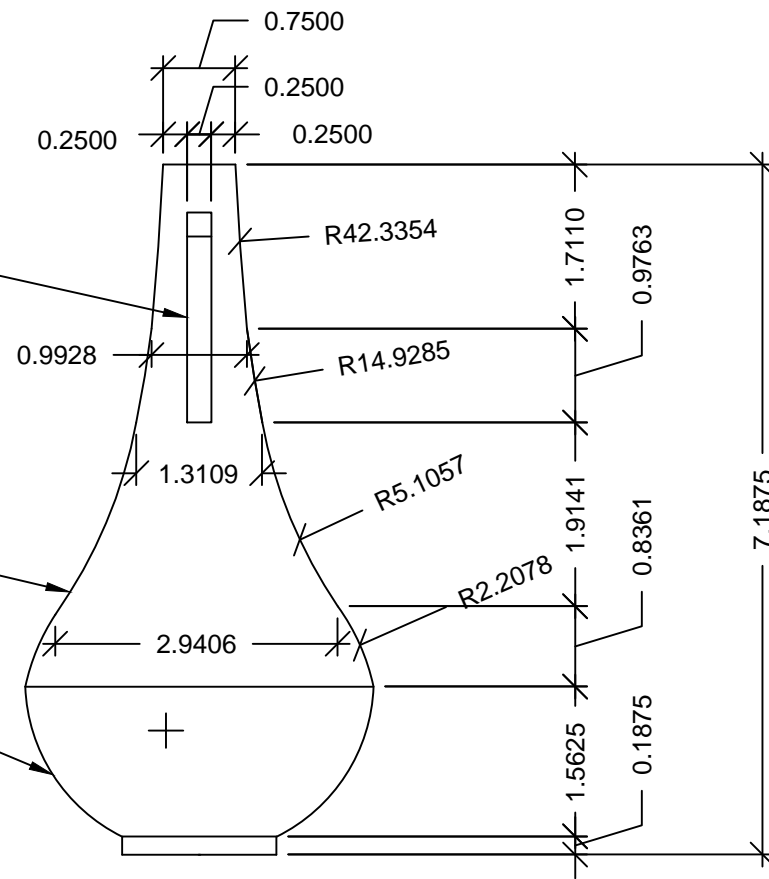
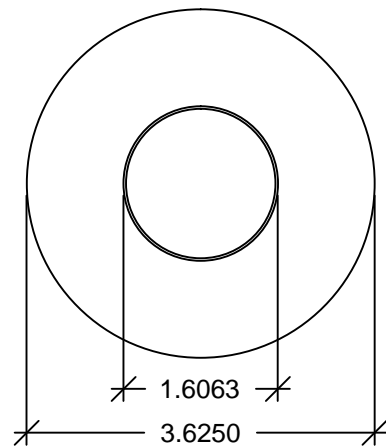


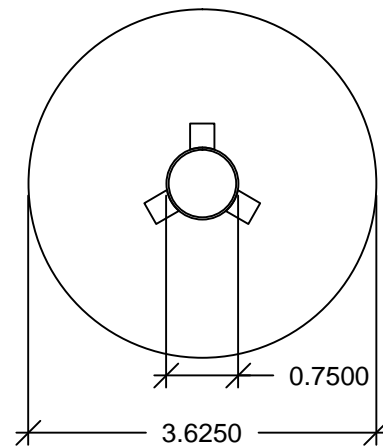
ELEVATION 1
HORN MUTE



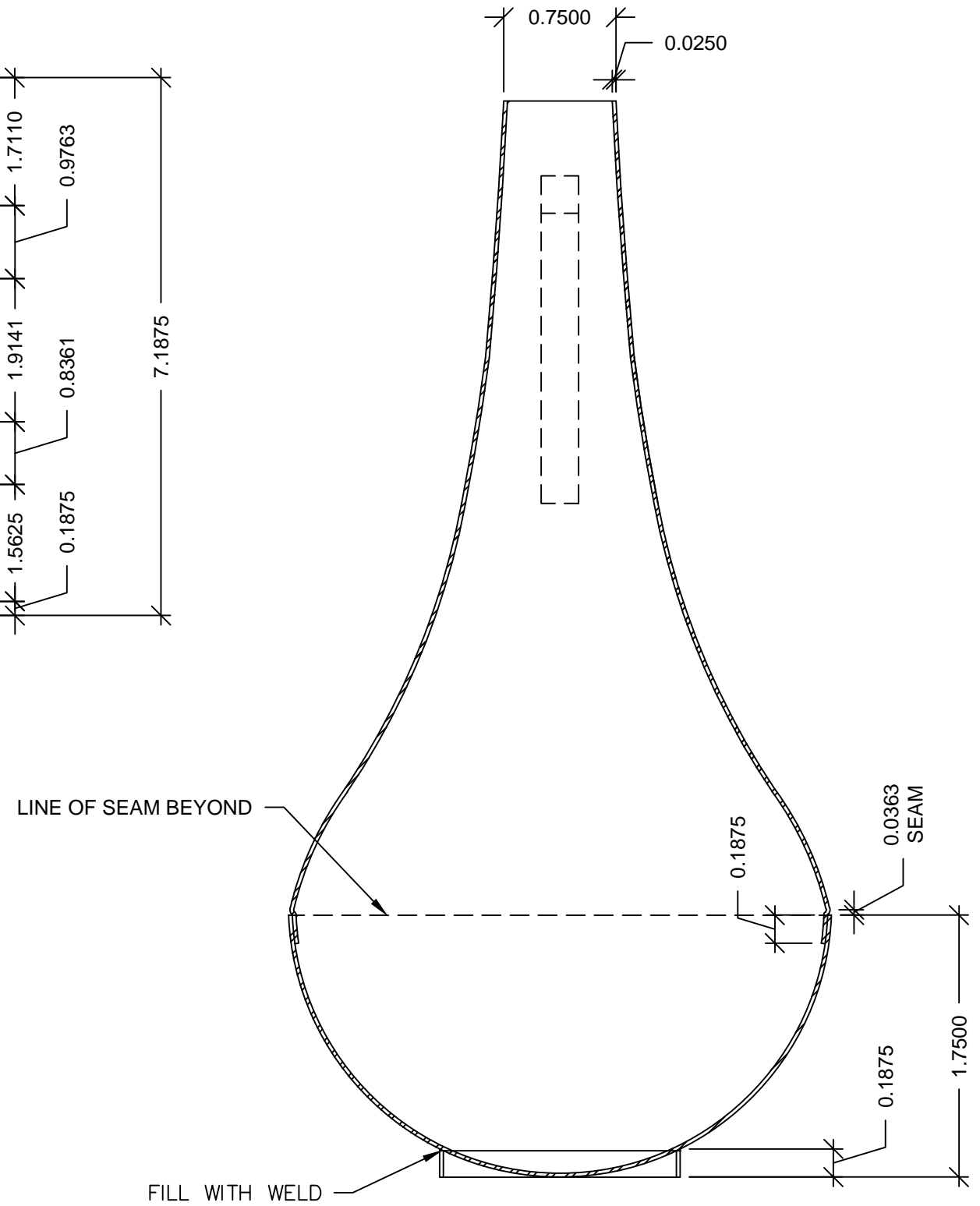
ELEVATION 2
HORN MUTE



PLAN - BELOW
HORN MUTE



PLAN - ABOVE
HORN MUTE



SECTION
HORN MUTE