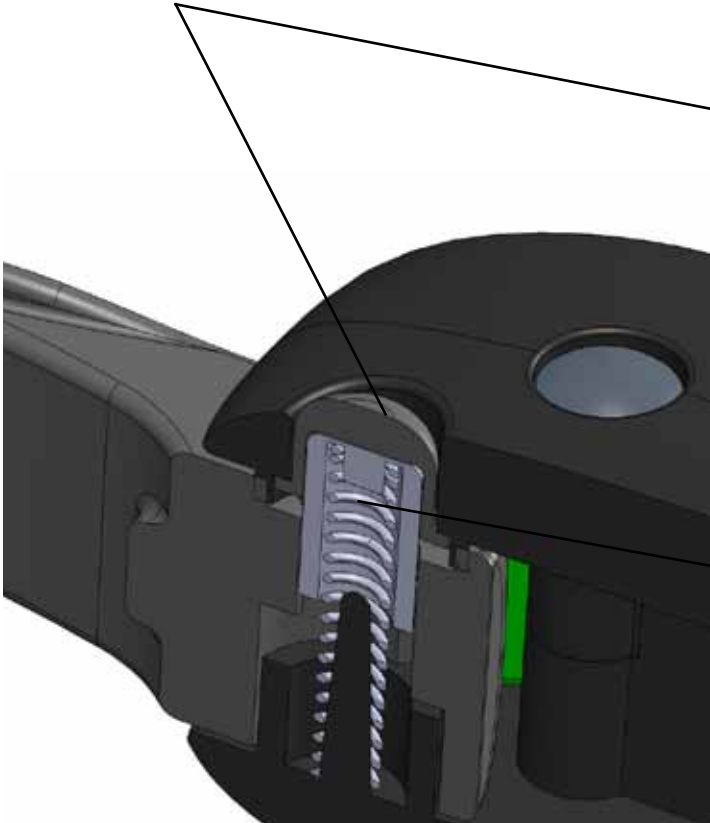


Caps help to hide the release buttons and contours the look of the peeler



Spring accuated release action

Release button and rivots have been capped to give a more contoured look to outer shell.

