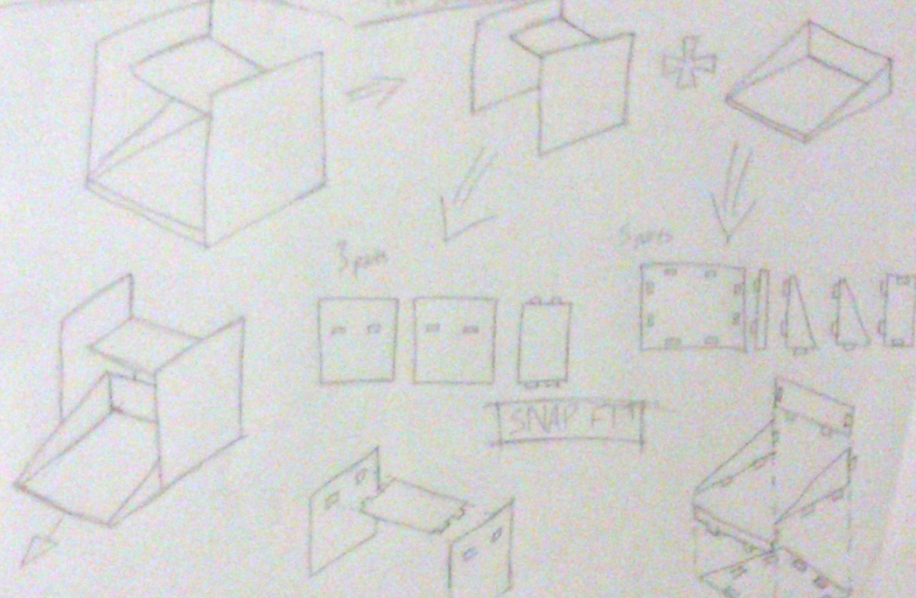
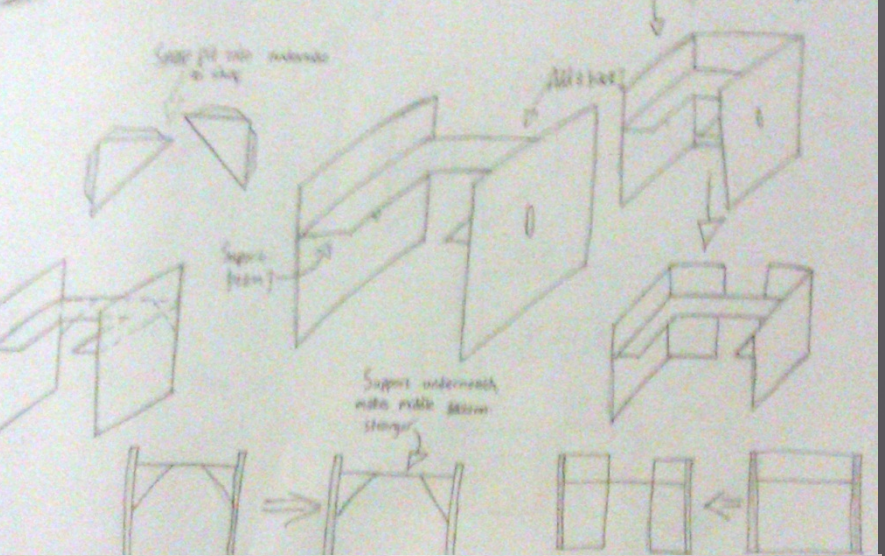




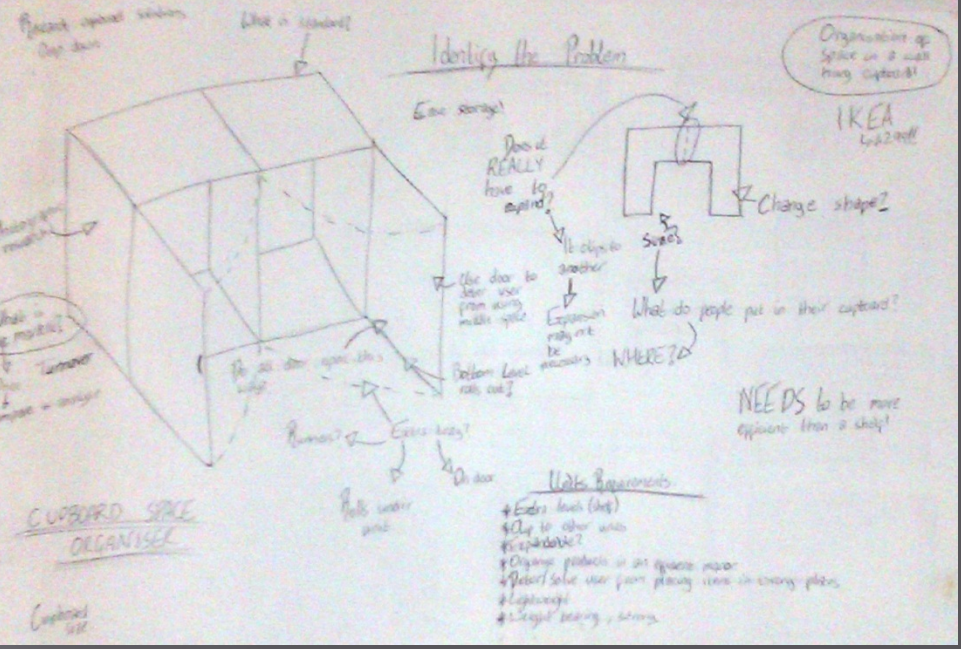
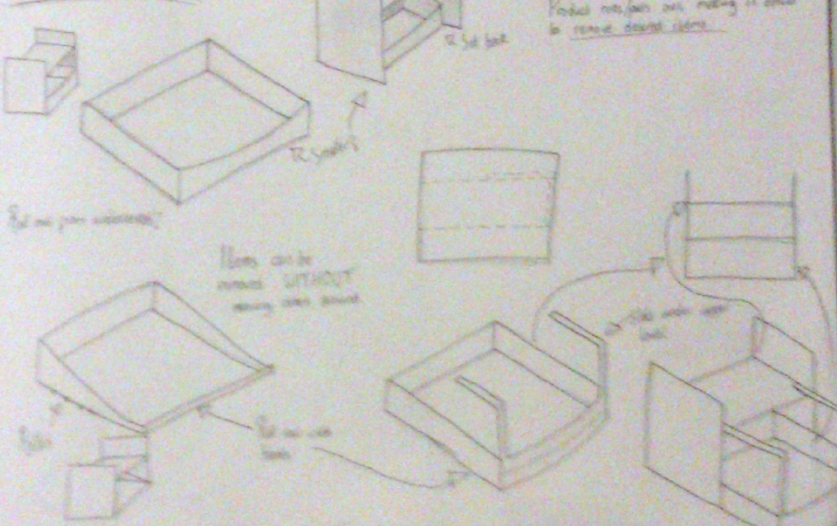
FLAT PACK



Support



Bottom Level



Space Saving Organiser

This HDPE space saving organiser allows for easier access to your kitchen essentials.

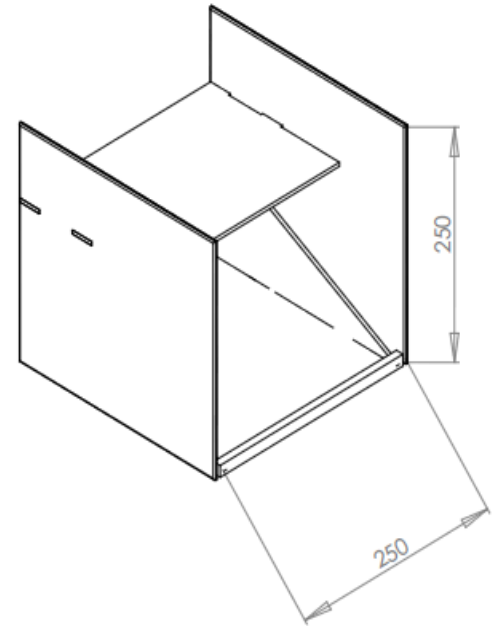
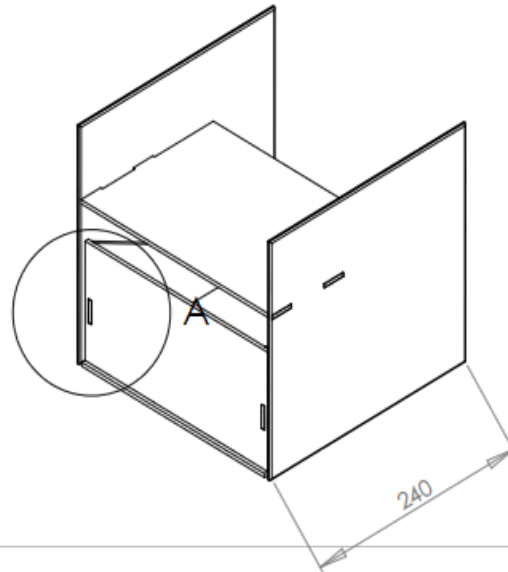
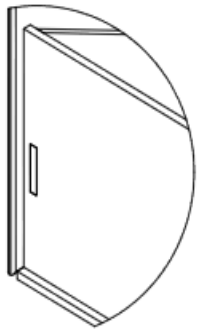
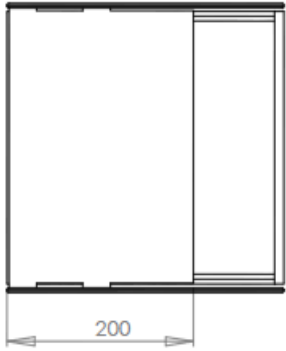
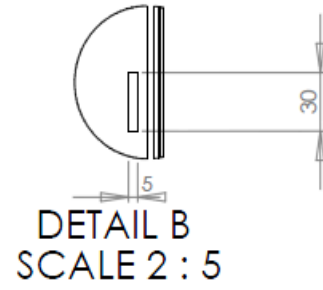
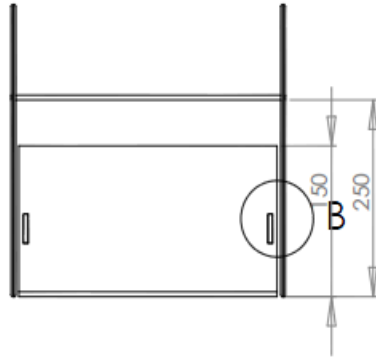
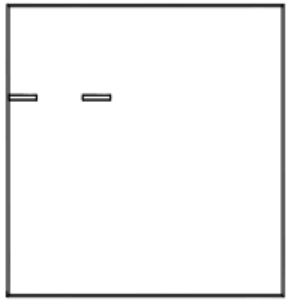
Using the combination of 2 levels and a pull out drawer eliminates the problem of having to remove multiple items to get to the back of the cupboard.

Simply pull out the drawer on the bottom level for easy access to your items.

Alternatively, place lighter, more often used items on the top level.

This self assembly, injection moulded unit reduces time wasted finding items in the cupboard and thus increasing the efficiency of the conventional day-to-day kitchen shelf.





DETAIL A
SCALE 2 : 5