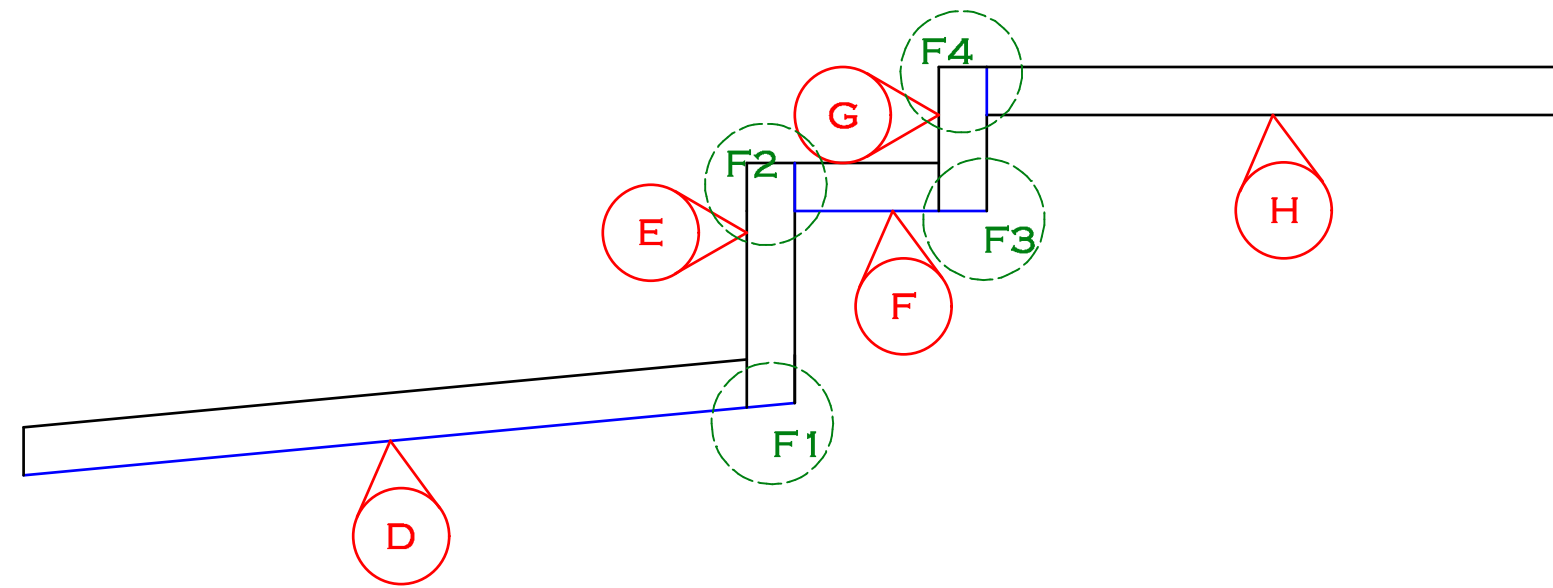
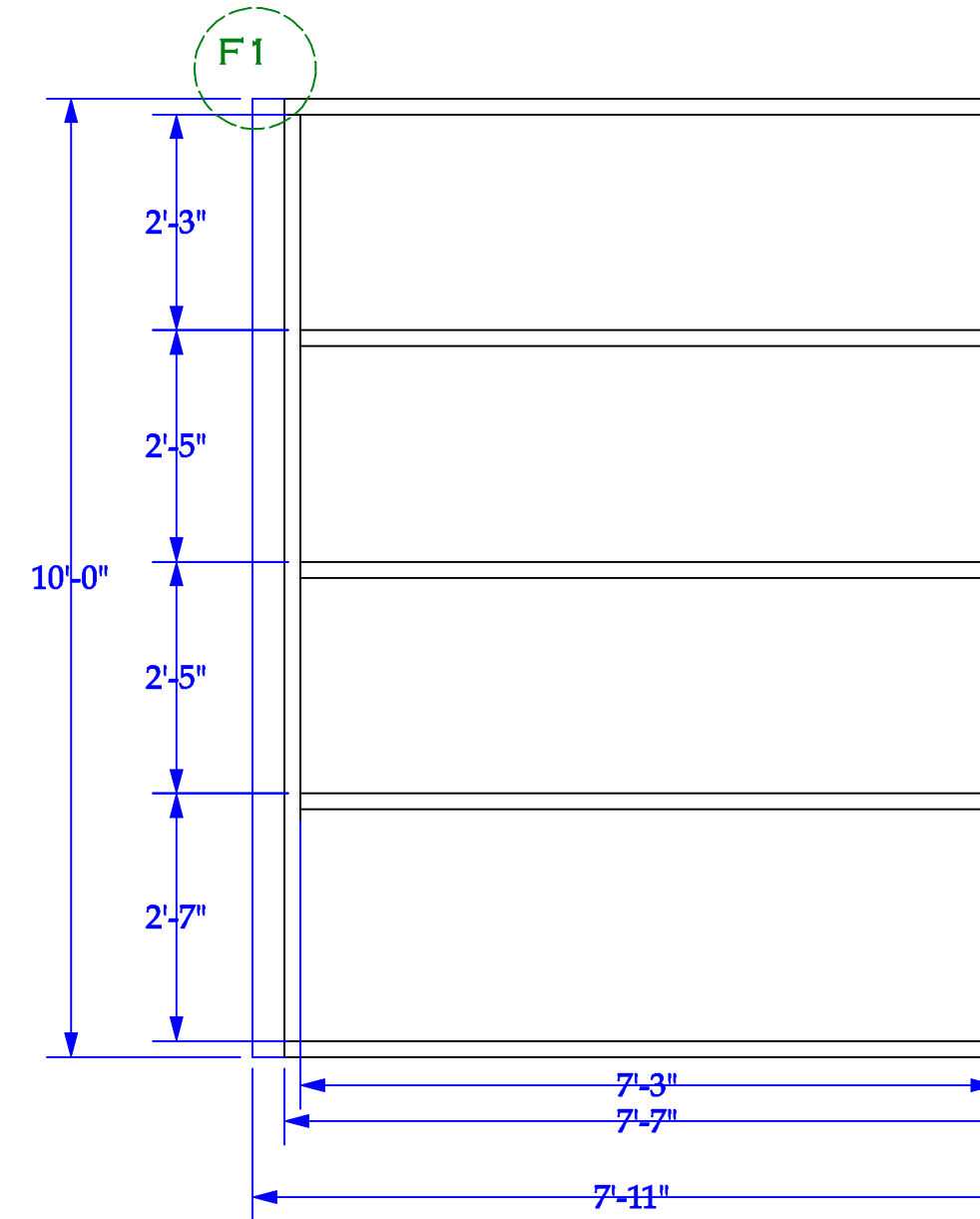


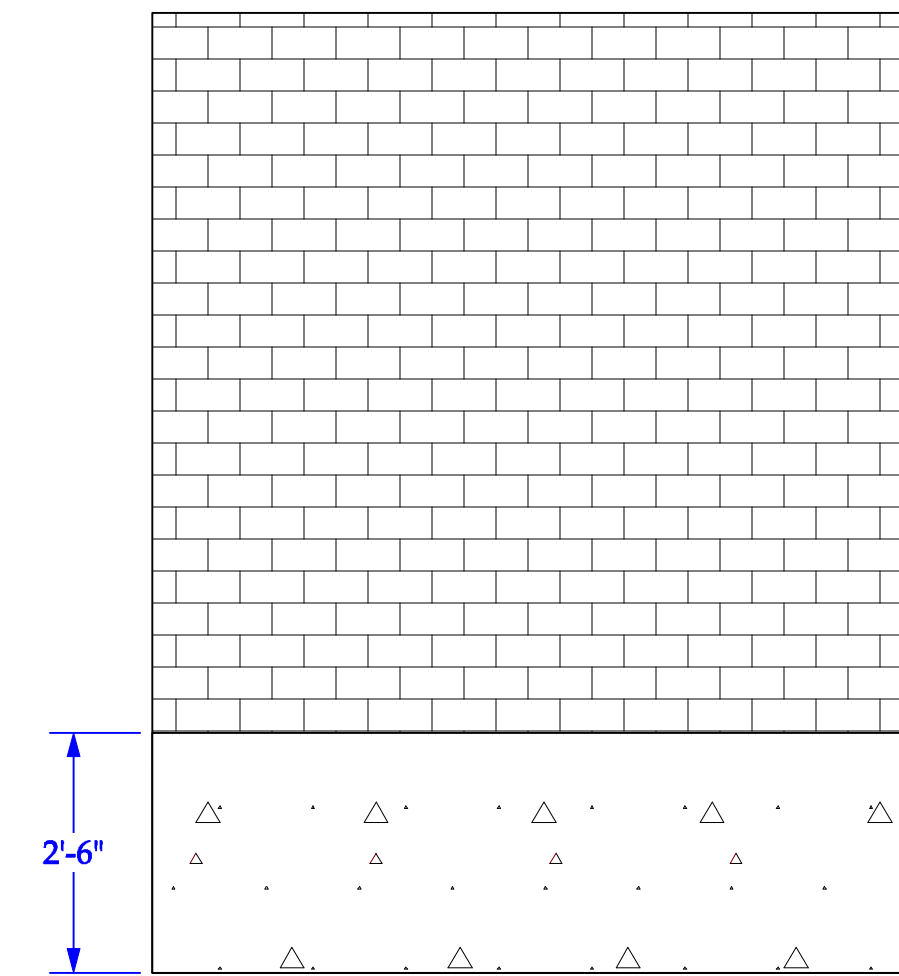
UNITS D, E, F, & G



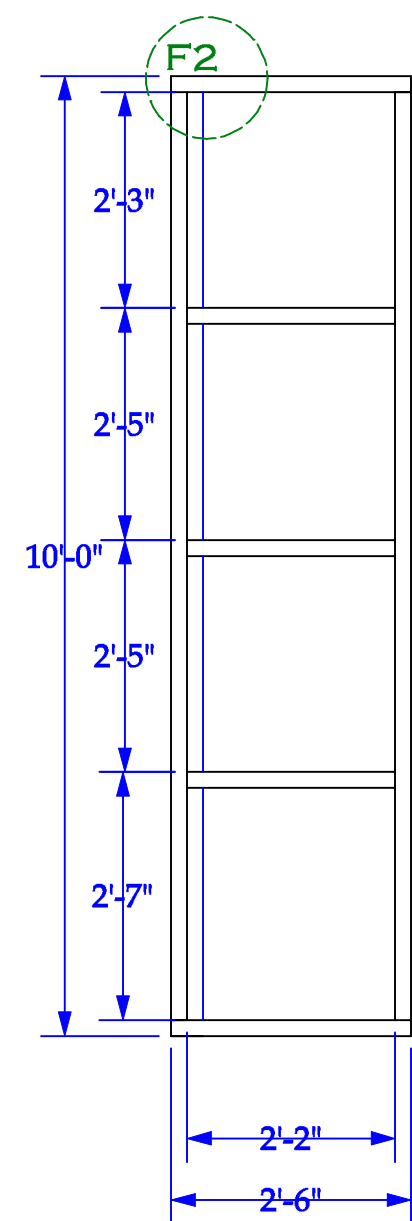
UNIT D
BACK VIEW



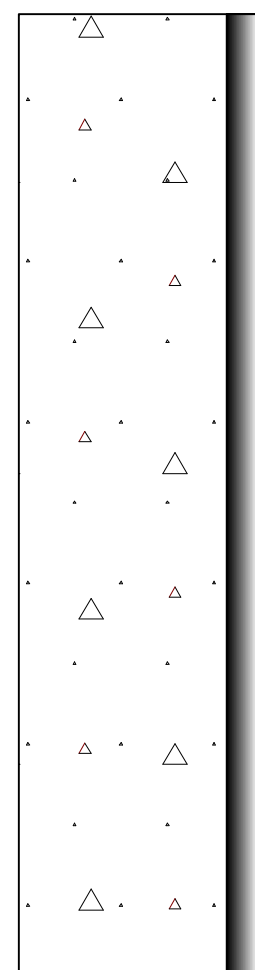
FRONT VIEW



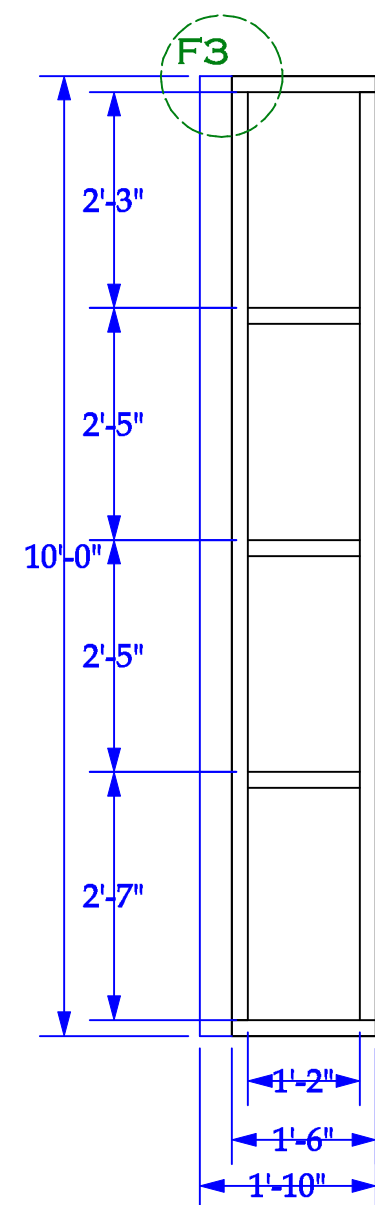
UNIT E
BACK VIEW



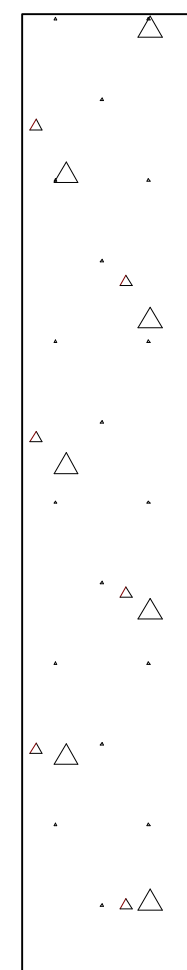
FRONT VIEW



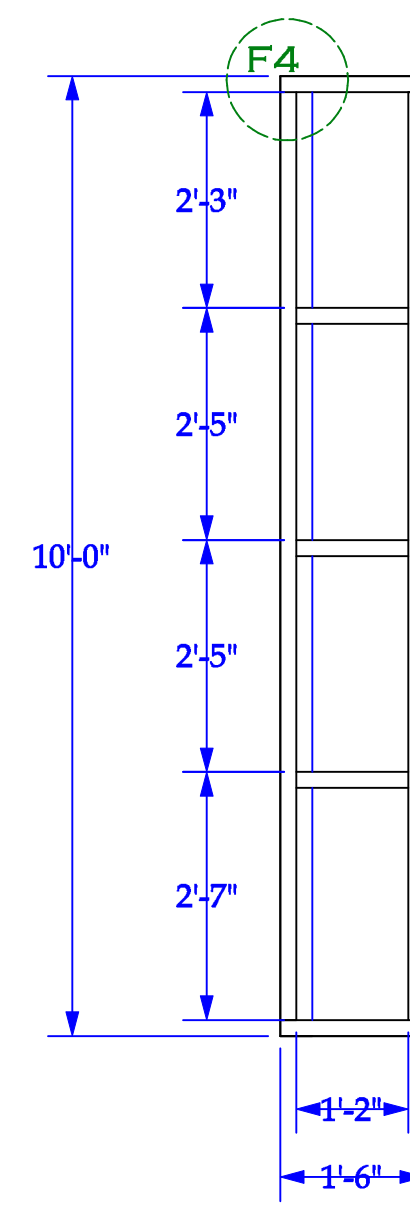
UNIT F
BACK VIEW



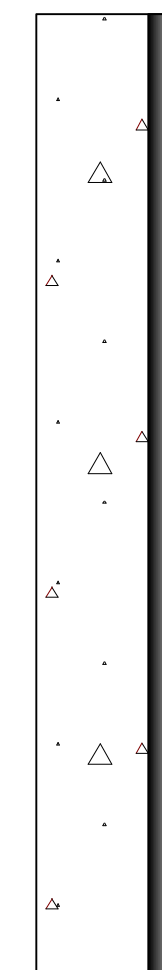
FRONT VIEW



UNIT G
BACK VIEW



FRONT VIEW



DESIGNED BY L. MAZUR	<p>THIS DRAWING REPRESENTS VISUAL CONCEPTS AND CONSTRUCTION SUGGESTIONS ONLY. IT DOES NOT REPLACE THE KNOWLEDGE AND ADVICE OF A LICENSED STRUCTURAL ENGINEER. THE DESIGNER IS UNQUALIFIED TO DETERMINE THE STRUCTURAL APPROPRIATENESS OF THIS DESIGN AND WILL NOT ASSUME RESPONSIBILITY FOR IMPROPER ENGINEERING OR USE.</p>
DRAWN BY L. MAZUR	
CHECKED BY	
APPROVED BY	
OTHER APPROVALS	
CAD FILE NAME DROWNINGPACKET.PDF	TITLE WORKING PLATE 2
DATE: 08/08/2020	SCALE 1/2"=1'
SHEET 4	OF 6