

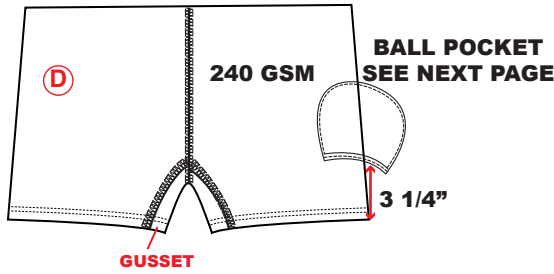
DATE: 7/3/14
 REF#: SK7648
 SPEC#: 1036
 LABEL: PRINCE

CASTLEWOOD

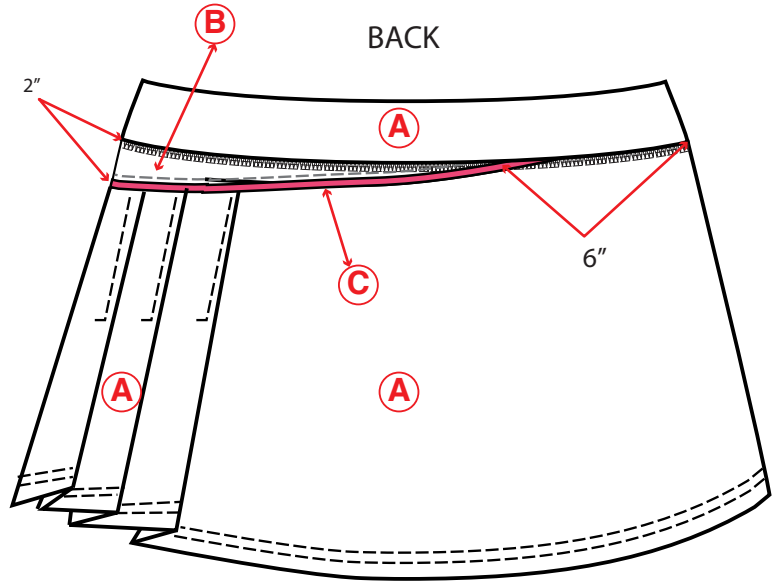
PAGE: _____
 SEASON: SPRING 15
 FABRIC: #1809 WICKED JACQUARD

 =3MM 4 THREAD COVERSTITCH AGAINST EDGE OF SEAM. PLEASE DO NOT EXCEED 3MM. DTM "A"

INSIDE SHORT ATTACHED TO SKIRT AT BOTTOM OF WAISTBAND



FRONT



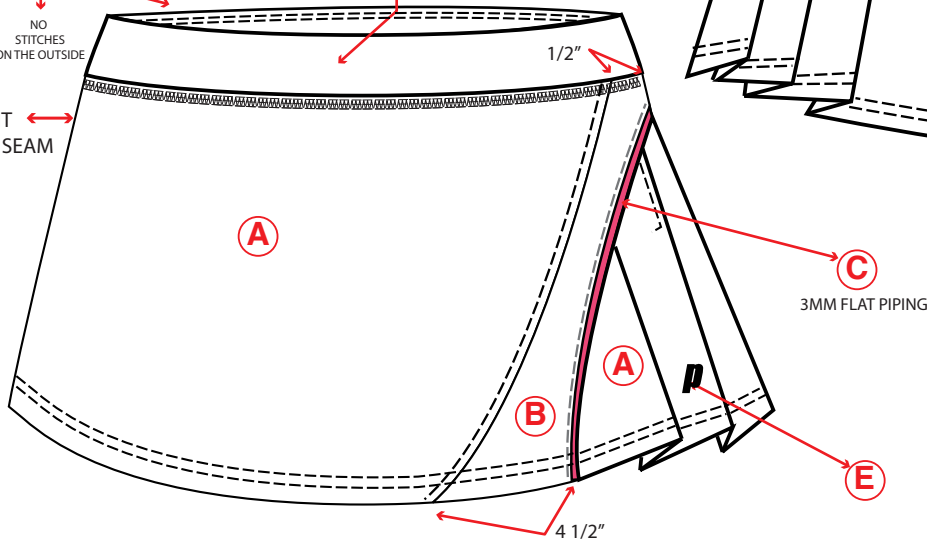
BACK

INSIDE CASED ELASTIC 1/2" WIDE STICHED INSIDE ON THE FACING SIDE

2 1/2" WAISTBAND

NO STITCHES ON THE OUTSIDE

RIGHT SIDE SEAM



FABRIC IS WICKED AND UPCHARGE COST WITH ANTI MICROBEAL NOT BRANDED

WHERE	OPTION # 1	WHERE	OPTION # 2	OPTION # 3
(A) #1809 JACQUARD 240 GSM	WHITE			
(B) 1678 WICKED POLY/ SPANDEX 200 GSM PRINT A1555	BLACK PRINT			
(C) 1678 WICKED POLY/ SPANDEX 200 GSM	RASPBERRY			
(D) 1678 WICKED POLY/ SPANDEX 240 GSM	WHITE			
(E) COLORED HEAT TRANSFER LOGO 1576	RASPBERRY			
(F)				
(H)				

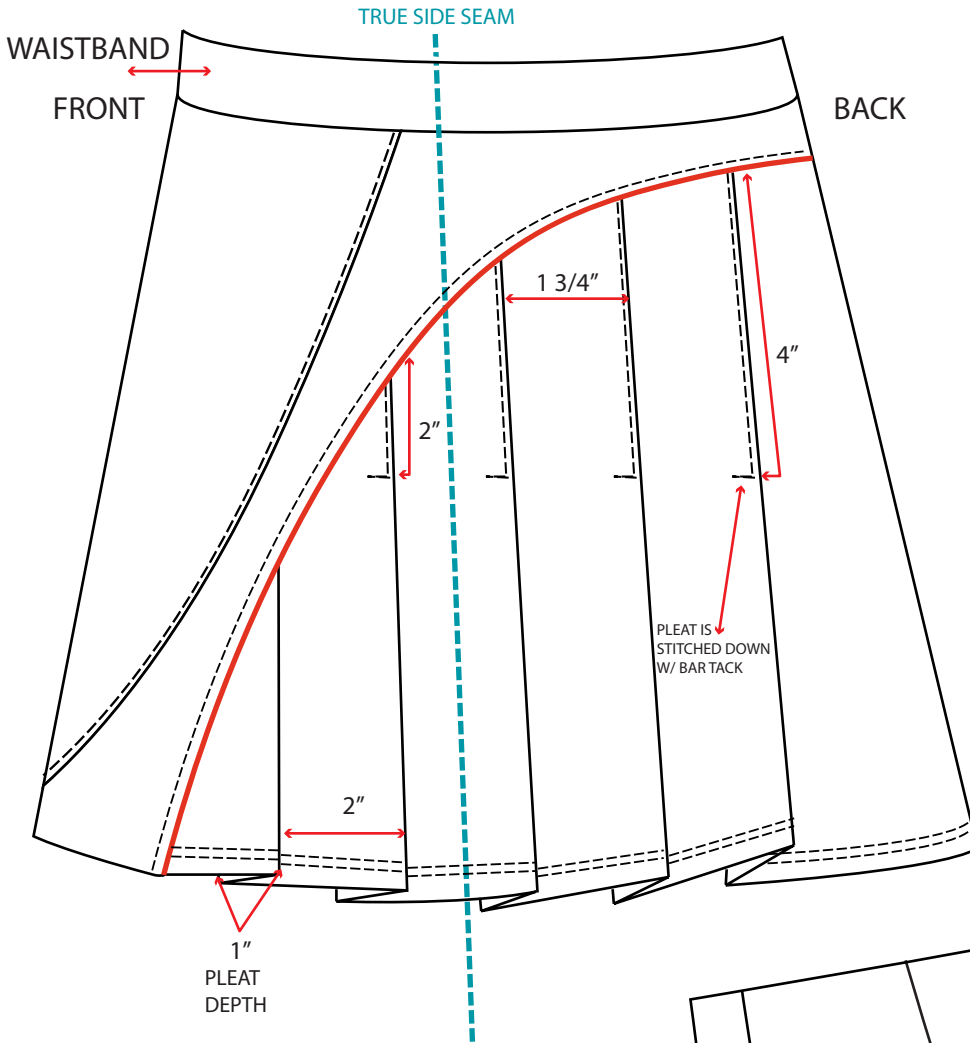
DATE: 6/19/14
REF#: SK7648
SPEC#: 1036
LABEL: PRINCE

CASTLEWOOD

PAGE: _____
SEASON: SPRING 15
FABRIC: #1809 WICKED JACQUARD

WEARER'S LEFT SIDE

THERE WILL BE 5 KNIFE PLEATS
FACING →



TRUE SIDE SEAM

POUCH BALL POCKET

