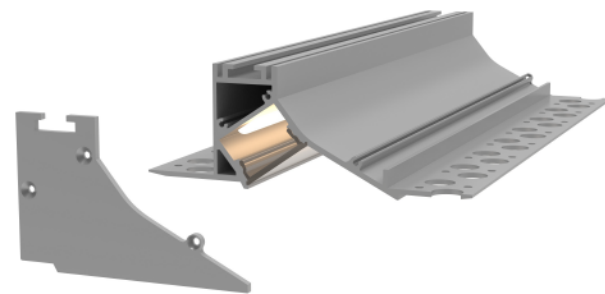
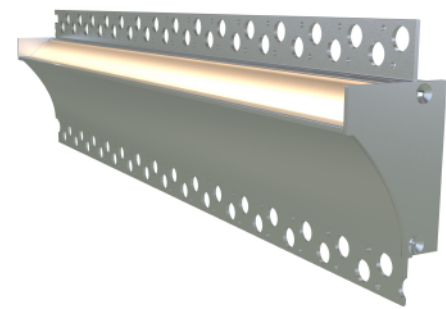
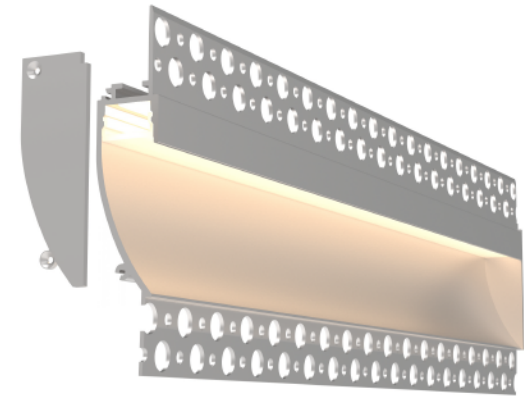
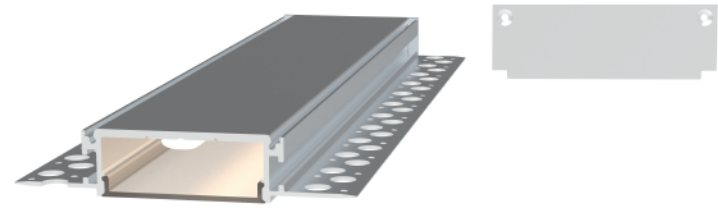
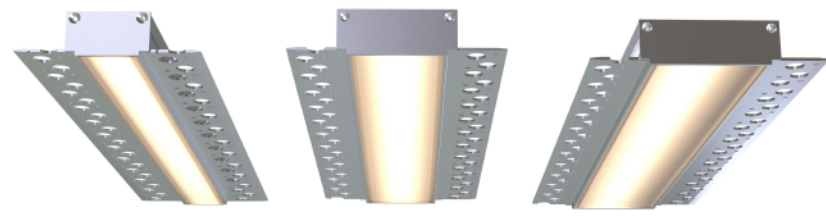
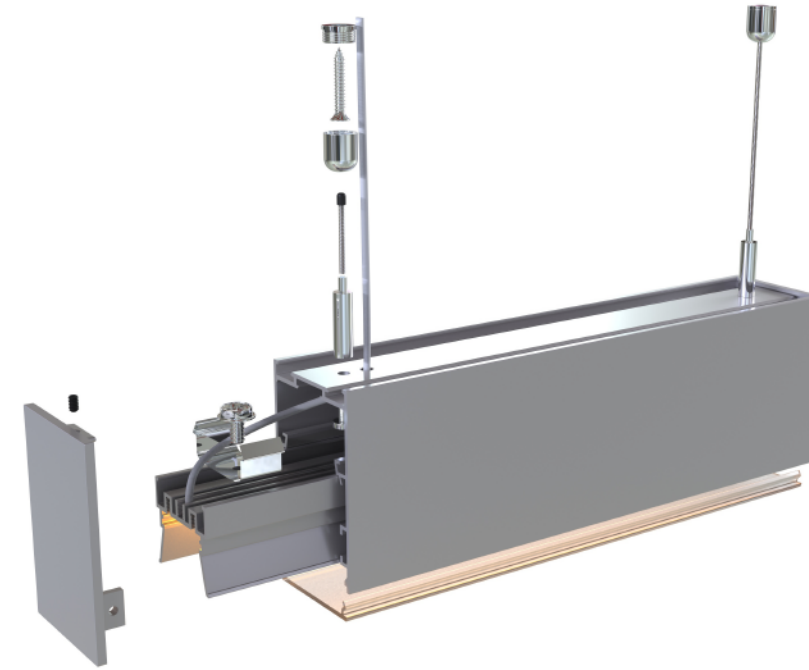
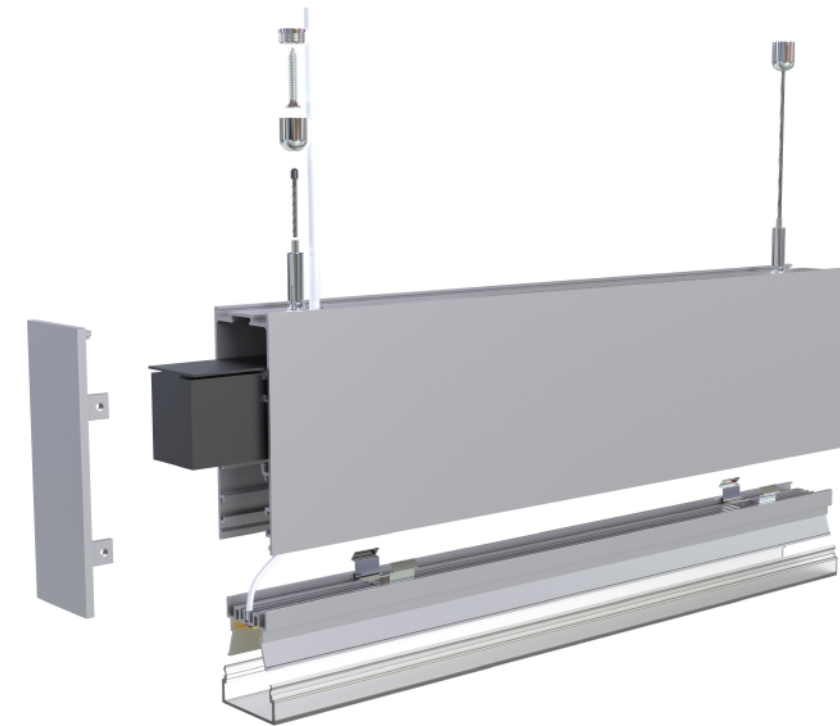
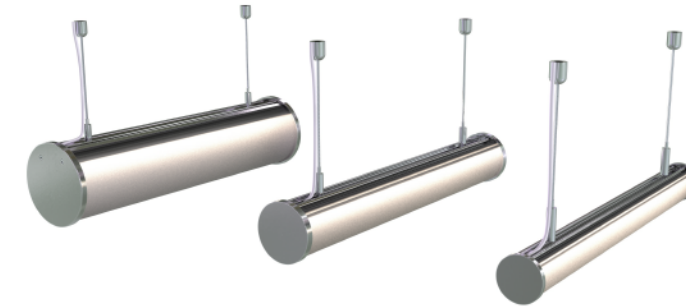
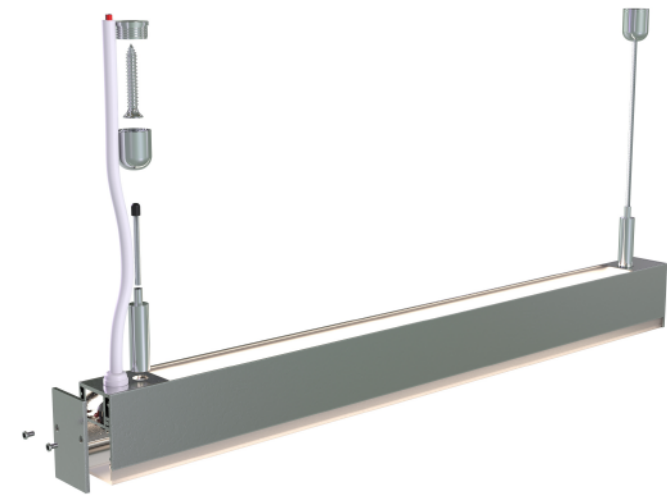


# Custom Aluminum LED Extrusions

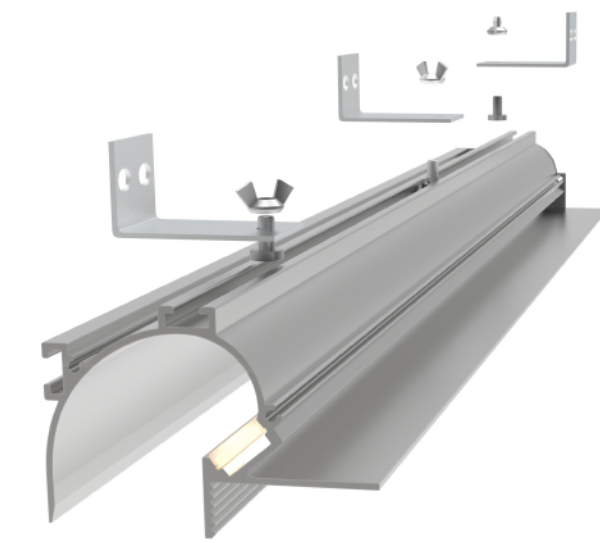
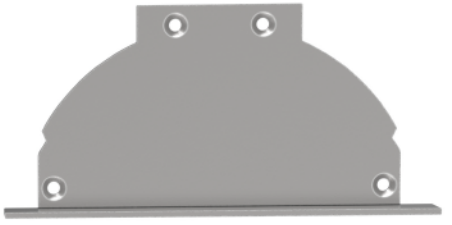
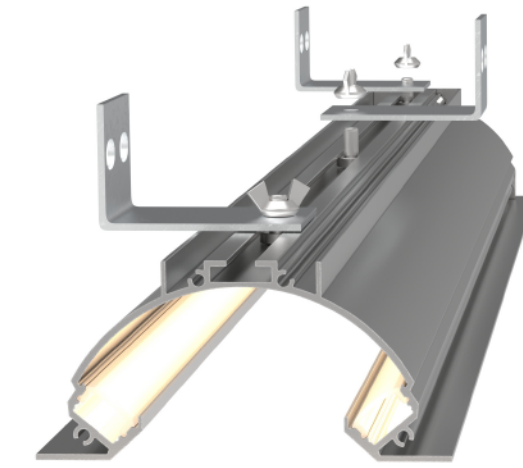
These LED extrusions are designed and manufactured by Shine On LED for the Lightblade brand of LED linear lighting. Made with 6160 Aluminum in 10' segments. Included is all the necessary hanging hardware, aluminum end caps and Satin Ice UV resistant diffusers with a "B" side Fresnel lens.



Plaster In Extrusions



Hanging LED Extrusions



Soffit In Extrusions