

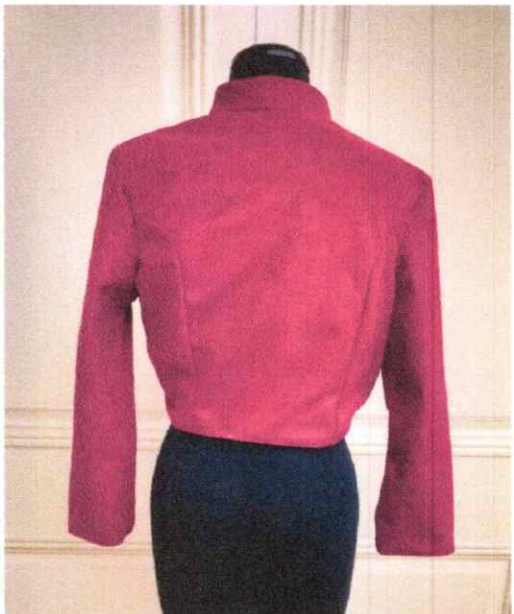
**SUMMARY**

**Chaffey College**

Style #:	0419 Joan	Description:	Jacket	Designer:	Monica Armer/Jo Phelan
Design/Proto #:	1	Fabrication:	Faux Suede	Status:	Prototype
Division:	Womens	Season:	Fall 2019	Date Created:	9/9/19
Brand:	Forged In Fire	Base Size:	6	Date Revised:	9/22/19
Fit Type:	Relaxed Fit	Size Range:	6-14	Approved Date:	10/3/2019
Product Class:		Country of Origin:	U.S.A	Current Stage:	Production

Pages	Table of Contents
Page 1	Style Summary
Page 2	Pattern Card
Page 3	Front and Back View
Page 4	BOM
Page 5	BOM Label Page
Page 6	BOM Labels and Hangtag
Page 7	Label Placement and Packaging
Page 8	Assembly Page/AKA Construction Sequence p. 1
Page 9	Assembly Page/AKA Construction Sequence p. 2
Page 10	Specifications (POM)
Page 11	Costing
Page 12	
Page 13	
Page 14	
Page 15	
Page 16	

**Photos  
(Front & Back)**



**Notes**

---



---



---



---



---



---



---



---

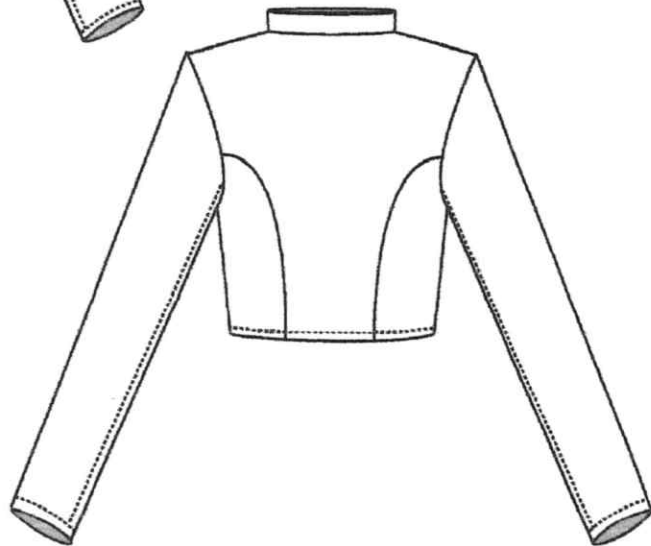
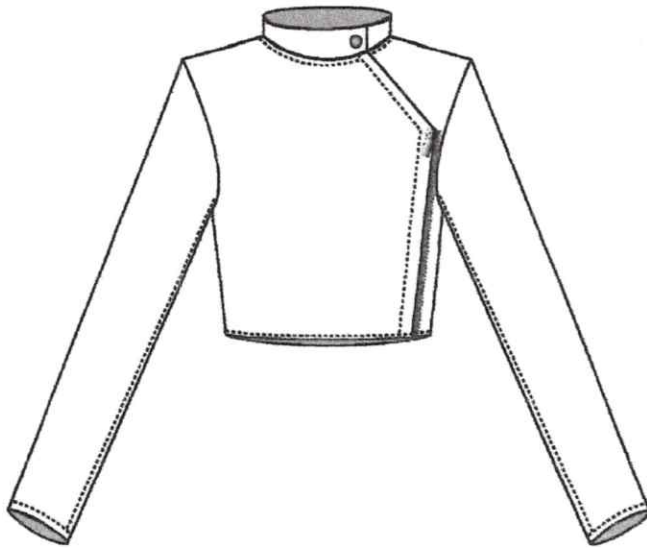


**FRONT/BACK VIEW****Chaffey College**

Style #: 0419 Joan  
Design/Proto #: 2  
Division: Women's  
Brand: Forged In Fire  
Fit Type: Relaxed Fit

Description: Jacket  
Fabrication: Faux Suede  
Season: Fall  
Base Size: 6  
Size Range: 6-14

Designer: Monica A./Jo P.  
Status: Final Prototype  
Date Created: 9/9/19  
Date Revised: 9/23/19  
Approved Date: 12/12/2019



# BILL OF MATERIALS

# Chaffey College

**Style #:** 0419 Joan  
**Design/Proto #:** 2  
**Division:** Women's  
**Brand:** Forged in Fire  
**Fit Type:** Relaxed Fit  
**Designer:** Monika Armer/Jo Phelan  
**Status:** Final Prototype  
**Date Created:** 9/9/2019  
**Dated Revised:** 9/22/2019  
**Approval date:** 12/12/2019

**Jacket:** Faux Suede  
**Season:** Fall 2019  
**Base Size:** 6  
**Size Range:** 6 to 14

**Color way:** Chill Pepper

Name/Code	Use/Description	Supplier Information	COLOR1	COMPONENT SKETCH & SWATCHES
Self	faux suede, 100% polyester, front bodice left, front bodice right, back bodice center, back bodice side, collar, sleeve, front bodice left facing, front bodice right fabric	MyLee Sewing & Fabrics 1221 E Holt Ave, Pomona, CA 91767 909-620-5773 MyLeeSewingMachines.com		
Lining	percale, 60% cotton, 40% polyester, front bodice left, front bodice right, back bodice center, back bodice side, sleeve, pocket	MyLee Sewing & Fabrics 1221 E Holt Ave, Pomona, CA 91767 909-620-5773 MyLeeSewingMachines.com		
Trim 1	zipper, 16" plastic	MyLee Sewing & Fabrics 1221 E Holt Ave, Pomona, CA 91767 909-620-5773 MyLeeSewingMachines.com		
Trim 2	snap, 1/2" nickel plated brass X 4	MyLee Sewing & Fabrics 1221 E Holt Ave, Pomona, CA 91767 909-620-5773 MyLeeSewingMachines.com		
Trim 3	shoulder pad, pair, 1/4" thick	MyLee Sewing & Fabrics 1221 E Holt Ave, Pomona, CA 91767 909-620-5773 MyLeeSewingMachines.com		
Thread 1				

**LABEL**

**Chaffey College**

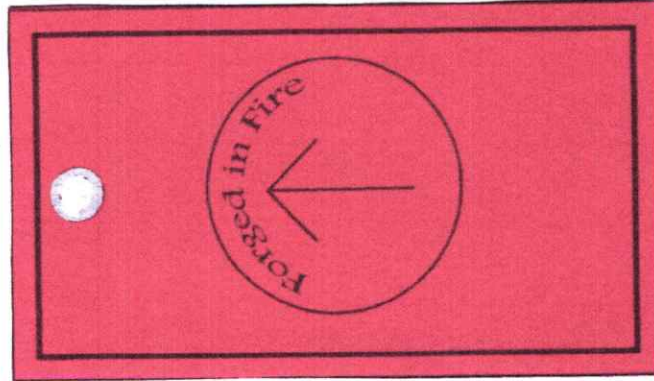
Style #: 0419 Joan  
Design/Proto #: 2  
Division: Women's  
Brand: Forged in Fire  
Fit Type: Relaxed Fit

Description: Jacket  
Fabrication: Faux Suede  
Season: Fall 2019  
Base Size: 6  
Size Range: 6 to 14

Designer: Monica Armer/Jo Phelan  
Status: Final Prototype  
Date Created: 9/9/2019  
Date Revised: 9/22/2019  
Approved Date: 12/12/2019

**Hangtag**

Front



3.5"

2"

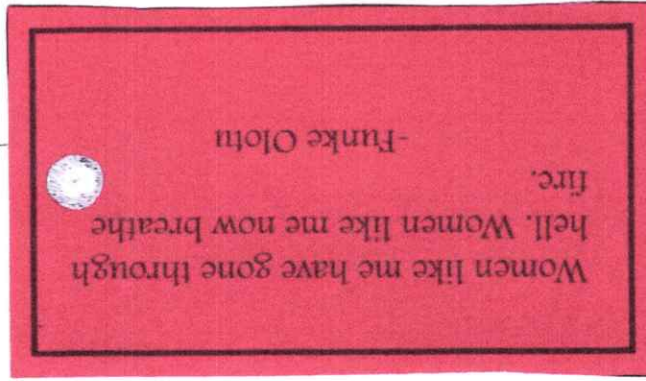
Font Name: Chaparral

Font Size: 12



19-1557 TCX

Back



2"

Black 6 C

**Brand Label**



Forged in Fire

MADE IN U.S.A.

Font Name: Andalus, Calibri Light

Font Size: 17, 8



19-1557 TCX



Black 6 C

RIN# 12345  
SHELL: 100% POLYESTER  
LINING: 60% COTTON  
40% POLYESTER

DRY CLEAN ONLY  
DO NOT WASH  
DO NOT DRY  
DO NOT BLEACH  
IRON LOW HEAT



3/8"

1 1/8"

Snow White 11-0602 TCX 6



Black 6 C

Size Label

Font Name: Calibri Light

Font Size: 16

Care Label



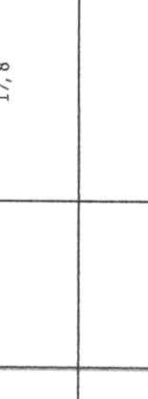
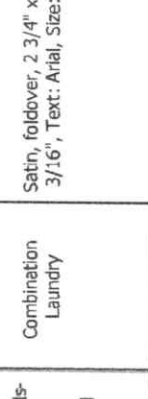
Font Name: Arial

Font Size: 6

# Chaffey College

## BILL OF MATERIALS-Labels & Hangtag

**Style #:** 0419 Joan  
**Description:** Jacket  
**Design/Proto #:** 2  
**Fabrication:** Faux Suede  
**Season:** fall 2019  
**Brand:** Forged in Fire  
**Base Size:** 6  
**Fit Type:** Relaxed Fit  
**Size Range:** 6-14  
**Designer:** Monica Armer/Jo Phelan  
**Status:** Final Prototype  
**Date Created:** 9/9/2019  
**Date Revised:** 9/22/2019  
**Approved Date:** 12/12/2019

Color way		Chili Pepper			
Name/Code	Type	Description/Size	Placement	Producer Information	Images
Brand Label: Clothing Label- Woven Labels	Woven Label with Text & Symbol	Sew-on, red with pure color, 0.06" x 2.4", Text: Andalus, Callibri Light, Size: 17, 8	Center Back Neck	<a href="http://wunderlabel.com">Wunderlabel 1-800-650-0538</a> <a href="http://wunderlabel.com">wunderlabel.com</a>	
Care Label: Laundry Labels- Printed/ Combination Laundry Label	Combination Laundry	Satin, foldover, 2 3/4" x 1 3/16", Text: Arial, Size: 6	Left Side Seam, 3" Above Hem	<a href="http://wunderlabel.com">Wunderlabel 1-800-650-0538</a> <a href="http://wunderlabel.com">wunderlabel.com</a>	
Size Label: In Stock Items- Adult Size Label	Adult Size Label: Adult Sizes XXS- XXXL Black	label color: white, text color: black, Damask Woven Polyester, sewn in foldover, 3/8" x 1 9/16"	Back Neck 1/4" from Brand Label	<a href="http://wunderlabel.com">wunderlabel.com</a>	6
Hangtag 1	Silk Hang Tag	2" x 3.5" Laminated silk textured plastic on 16 pt. cardstock with top punch hole 1/8" from top	Hung by hole punch with matching red ribbon sewn on outer sleeve of right arm	<a href="http://uprinting.com">uprinting.com</a> Silk Hangtag	 Front
Hangtag 2					 Back

**LABEL PLACEMENT**

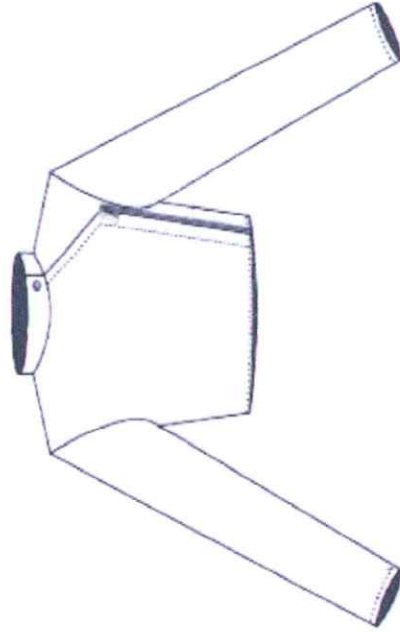
Style #: 0419 Joan  
Design/Proto #: 1  
Division: Women's  
Brand: Forged in Fire  
Fit Type: Relaxed Fit

Description: Jacket  
Fabrication: Faux suede  
Season: Fall 2019  
Base Size: 6  
Size Range: 6-14

Designer: Monica Armer/Jo Phelan  
Status: Proto  
Date Created: 9/9/2019  
Date Revised: 9/22/2019  
Approved Date: 10/3/2019

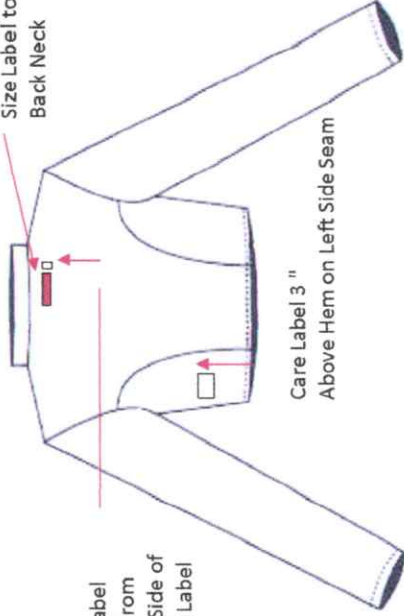
**Chaffey**

**LABEL PLACEMENT**



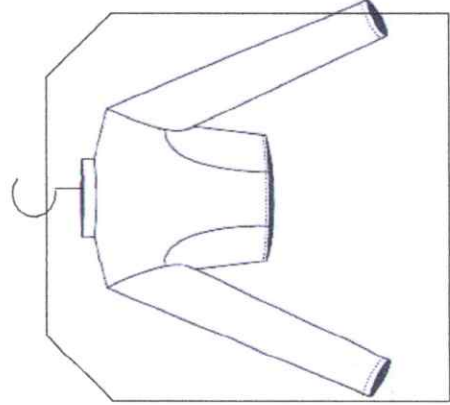
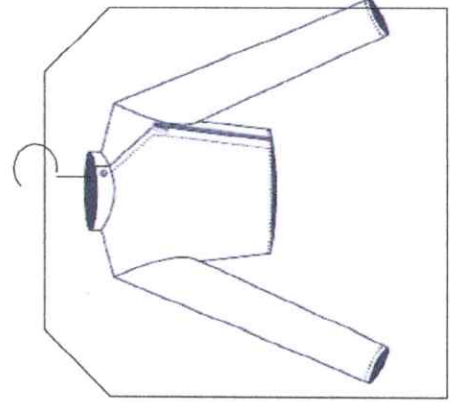
Size Label  
1/4" From  
Right Side of  
Brand Label

Attach Brand Label and  
Size Label to Center  
Back Neck



Care Label 3 "  
Above Hem on Left Side Seam

**PACKAGING**



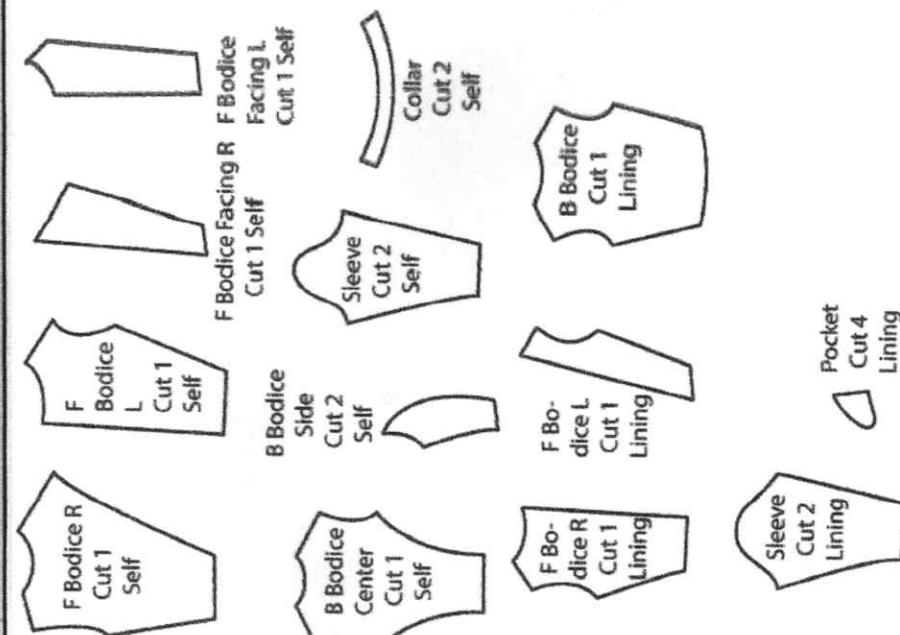
# ASSEMBLY PAGE, page 1

# Chaffey College

Style #: 0419 Joan  
 Design/Proto #: 2  
 Division: Women's  
 Brand: Forged in Fire  
 Fit Type: Relaxed Fit  
 Cutting Information: Self Has Nap  
 Match Horizontal:  
 Match Vertical:  
 Match Other:

Description: Jacket  
 Fabrication: Faux Suede  
 Season: Fall 2019  
 Base Size: 6  
 Size Range: 6 to 14  
 Designer: Monica Armer/Jo Phelan  
 Status: Final Prototype  
 Date Created: 9/9/2019  
 Date Revised: 9/22/2019  
 Approved Date: 12/12/2019

Operation	SPI	Stitch	Machine	Special instructions	COMPONENT SKETCH
Lining: Join front and back shoulders	14+/-1	lockstitch	single needle		F Bodice R Cut 1 Self
Lining: Join front and back sides	14+/-1	lockstitch	single needle		F Bodice L Cut 1 Self
Lining: Stitch 2 rows along sleeve cap	6+/-1	lockstitch	single needle		F Bodice Facing R Cut 1 Self
Lining: Close sleeves	14+/-1	lockstitch	single needle		F Bodice Facing L Cut 1 Self
Lining: Join sleeves to bodice, easing at cap	14+/-1	lockstitch	single needle		B Bodice Side Cut 2 Self
Self: Attach 2 snaps to right bodice facing	N/A	N/A	snap setting machine		B Bodice Center Cut 1 Self
Self: Attach 2 snaps to left bodice facing	N/A	N/A	snap setting machine		B Bodice Side Cut 2 Self
Self: Join right front and right front facing	10+/-1	lockstitch	single needle		Sleeve Cut 2 Self
Self: Join left front and left front facing	10+/-1	lockstitch	single needle		Collar Cut 2 Self
Self: Join center back to side backs	10+/-1	lockstitch	single needle		F Bodice L Cut 1 Lining
Join pocket layer 1 to front at side seam	10+/-1	lockstitch	single needle		F Bodice L Cut 1 Lining
Join pocket layer 2 to back at side seam	10+/-1	lockstitch	single-needle		B Bodice Cut 1 Lining
Self: Join front and back shoulders	10+/-1	lockstitch	single-needle		F Bodice R Cut 1 Lining
Self: Join front and back sides	10+/-1	lockstitch	single-needle		Sleeve Cut 2 Lining
Lining: Join pockets and pocket facings	14+/-1	lockstitch	single-needle		Pocket Cut 4 Lining
Self: Join neck and collar	10+/-1	lockstitch	single-needle		
Self: Join collar and collar facing	10+/-1	lockstitch	single-needle		
Self: Join collar facing to right front facing	10+/-1	lockstitch	single-needle		







COST				Chaffey College			
SKU	0419			Last Revised	11/7/2019		
Size	6-14			Tech Designer	Monica Armer/ Jo Phelan		
Description	Jacket						
Self	Faux Suede	Yield Yards:	2.000	Fabric Width:	60	GSM (grams)	130
Contrast 1		Yield Yards:		Fabric Width:		GSM	
Contrast 2		Yield Yards:		Fabric Width:		GSM	
Contrast 3		Yield Yards:		Fabric Width:		GSM	
Contrast 4		Yield Yards:		Fabric Width:		GSM	
Lining	Percale	Yield Yards:	1.330	Fabric Width:	60	GSM	100
<b>Fabric</b>	<b>Fabric \$/yd.</b>						<b>Dark</b>
Self	\$8.99						\$17.98
Contrast 1	\$0.00						\$0.00
Contrast 2	\$0.00						\$0.00
Contrast 3	\$0.00						\$0.00
Contrast 4	\$0.00						\$0.00
Lining	\$4.99						\$6.64
Loss cutting @ 5%							\$1.23
<b>Sub total</b>							<b>\$25.85</b>
<b>Trim</b>	<b>Cost/unit</b>	<b>Quantity</b>	<b>Increment sold</b>	<b>Size</b>			
Thread	\$0.000		Yard			\$0.00	
Zipper	\$2.990	1	One			\$2.99	
Snap Buttons	\$0.998	3	Pack of 6			\$2.99	
Shoulder Pads	\$2.590	1	Pack of 2			\$2.59	
						\$0.00	
						\$0.00	
						\$0.00	
<b>Sub total</b>						<b>\$8.57</b>	
<b>Packaging</b>	<b>Cost/unit</b>	<b>Quantity</b>	<b>Increment sold</b>				
Hangtag	\$0.131	1	Piece			\$0.13	
Brand Label	\$0.268	1	Piece			\$0.27	
Care Label	\$0.162	1	Piece			\$0.16	
Size Label	\$0.100	1	Piece			\$0.10	
Hanger	\$0.070	1	Piece			\$0.07	
Poly Bag (suit size clear vinyl)	\$1.840	1	Piece			\$1.84	
						\$0.00	
<b>Sub total</b>						<b>\$2.57</b>	
<b>Cutting</b>	<b>Cost/unit</b>	<b>Unit</b>					
Marker Making	\$1.500						\$1.50
Spreading/Cutting	\$0.450						\$0.45
							\$0.00
							\$0.00
							\$0.00
							\$0.00
<b>Sub total</b>							<b>\$1.95</b>
<b>Sewing and Post Production</b>							
Cost per Garment						\$5.00	
Embroidery						\$0.00	
Screen/Digital Printing						\$0.00	
						\$0.00	
						\$0.00	
						\$0.00	
<b>Sub total</b>						<b>\$5.00</b>	
<b>Cost Actualized</b>	<b>Percentage</b>						
Unabsorbed Labor, Overhead	12%						\$1.04
Seconds	3%						\$0.21
<b>Wholesale Cost Total</b>						<b>\$45.19</b>	
<b>Price and Margin</b>							
<b>Wholesale Price</b>						<b>\$82.16</b>	
<b>Actualized Margin %</b>						<b>45%</b>	
MSRP						\$164.32	