

units are fastened with thumb screws  
to threaded inserts  
which are tapped into shelf

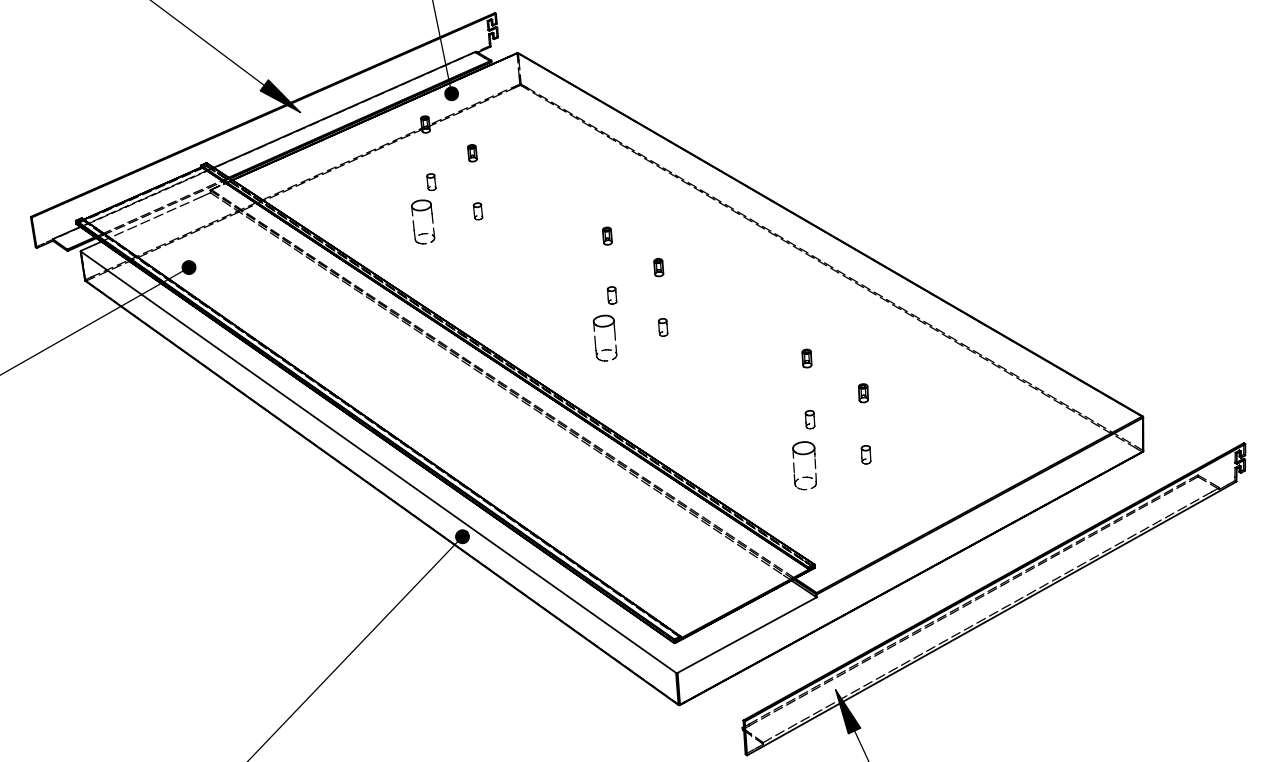
silver finish threaded insert

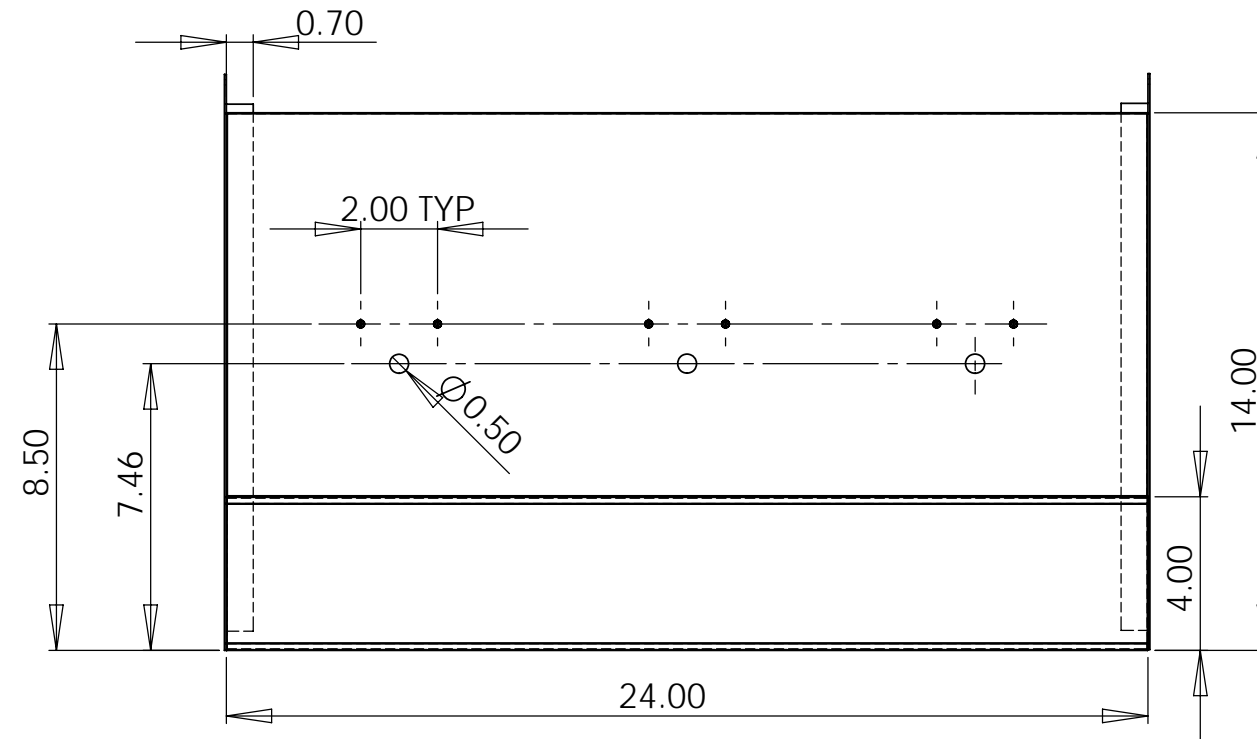
left blade

silver finish fact tag holder

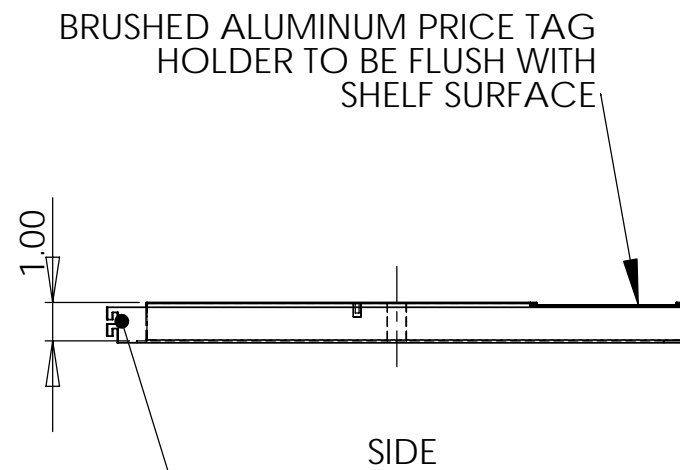
bamboo plywood shelf  
in 'natural' finish

silver finish right blade

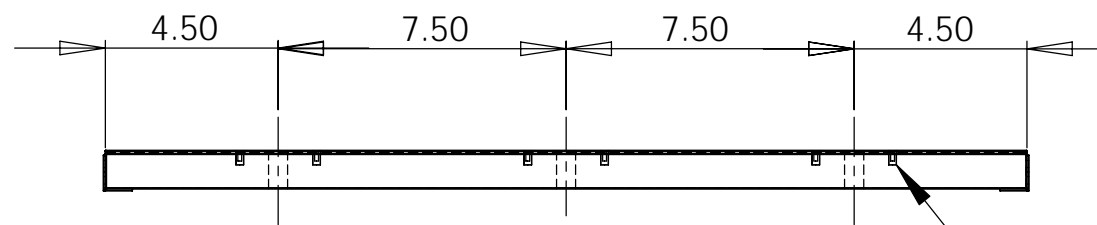




TOP



TEETH TO WORK WITH BEST BUY GONDOLA



FRONT