

NEW OFFICE FOR PRAIRIE MEADOWS DENTAL

KEARNEY, NEBRASKA NOVEMBER 20, 2020



INDEX OF DRAWINGS

D1 - COVER SHEET

Index of Drawings
General Project Notes
Abbreviations
Job Title

D2.0 - FLOOR PLAN

Floor Plan Notes
Plumbing Fixture Schedule
Symbols Legend

D2.1 - FLOOR PLAN

Floor Plan Notes
Symbols Legend
Keynotes

D3 - REFLECTED CEILING PLAN

Reflected Ceiling Plan Notes
Symbols Legend
Details

D4 - LIGHTING PLAN

Lighting Plan Notes
Light Fixture Schedule

D5 - POWER PLAN

Power Plan Notes
Symbols Legend

D6 - DOORS & FRAMES

Trim Details
Head and Jamb Details
Door Schedule

D7a/b - UTILITECH™ WALL

Utilitech™ Wall Elevations
Utilitech™ Wall Sections
Utilitech™ Wall Plan Detail
Utilitech™ Wall Rough-In Diagram

D8 - CABINETS

Cabinet Notes
Sections
Details

D9 - CABINETS

Sections Details
Control Counter Wall Assembly Detail
Toilet Room Accessory Mounting Details

D10 - CABINETS

Cabinet Elevations
Interior Elevations

D11 - CABINETS

Cabinet Elevations
Interior Elevations

D12 - CABINETS

Cabinet Elevations
Interior Elevations

D13 - CABINETS

Cabinet Elevations
Interior Elevations

LIST OF STANDARD ABBREVIATIONS

AFF	Above Finished Floor	MAX	Maximum
ADJ	Adjustable	MG	Medical Gases
ANSI	American National Standards Institute	MIN	Minimum
ARCH	Architectural	MTD	Mounted
ASST	Assistant	MTG	Mounting
AWI	Architectural Woodwork Institute	MTL	Metal
BD	Board	NAT	Natural
BLDG	Building	NIC	Not In Contract
BOT	Bottom	NICIC	Not In Contract Installed by Contractor
BSMT	Basement	NG	Natural Gas
BTU(H)	British Thermal Unit (per hour)	NTS	Not To Scale
C	Countertop	OC	On Center
CA	Compressed Air	OD	Outside Diameter
CAB	Cabinet	OP	Operatory
CNTR	Center	OPP	Opposite
CLG	Ceiling	OPNG	Opening
CLR	Clear	OSCI	Owner Supplied Contractor Installed
COMP	Compressor	PART	Particle
CONC	Concrete	PLAM	Plastic Laminate
CONST	Construction	PLBG	Plumbing
CONT	Continuous	PLYWD	Plywood
CONTR	Contractor	PNL	Panel
COORD	Coordinate	PNT	Paint
CPT	Carpet	PROJ	Project
CPU	Central Processing Unit	PT	Point
CT	Ceramic Tile	PVC	Polyvinyl Chloride
DED	Dedicated	QTR	Quarter
DEG	Degrees	RCPT	Receptacle
DES	Dental Equipment Supplier	RD	Rod
DET	Detail	REC	Recessed
DIA	Diameter	REF	Refrigerator
DIM	Dimension	REQ	Required (Requirements)
DISP	Dispenser	REV	Reverse
DR	Door	RM	Room
DW	Dishwasher	RO	Rough Opening
DWG	Drawing	S	Shelving
EA	Each	SCHD	Schedule
ELEV	Elevation	SECT	Section
ELEC	Electric	SHT	Sheet
EQ	Equal	SIDL	Sidelight (s)
EXIST	Existing	SIM	Similar
FD	Floor Drain	SPEC	Specified
FE	Fire Extinguisher	SS	Stainless Steel
FIN	Finish	STL	Steel
FLR	Floor	SUPP	Supply
FLUOR	Fluorescent	TEMP	Tempered
FO	Face Of	THK	Thick(ness)
FUR	Furring	TLT	Toilet
GA	Gauge, Gage	TRTMT	Treatment
GALV	Galvanized	TYP	Typical
GC	General Contractor	U	Upper Cabinet
GL	Glass, Glazing	UBC	Uniform Building Code
GWB	Gypsum wall board	UC	Under Counter
GYP	Gypsum	UON	Unless Otherwise Noted
HC	Handicap(ed)	VAC	Vacuum
HD	Heavy Duty	VENT	Ventilation
HDWD	Hard Wood	VER	Verify
HORZ	Horizontal	VERT	Vertical
HR	Hour	VEST	Vestibule
HT	Height	VCT	Vinyl Composition Tile
HVAC	Heating/Ventilating/Air Conditioning	VIF	Verify in Field
ID	Inside Diameter	VTR	Vent through Roof
IN	Inch	W/	With
IND	Indicates	WD	Wood
INSUL	Insulation	WDW	Window
INT	Interior		
L	Lower Cabinet		
LAV	Lavatory		
LIN	Linoleum		
LKR	Locker (s)		
LOC	Location (s)		
LT	Light		

SYMBOLS

∠	Angle
@	At (the rate of)
CL	Center Line
C	Channel
D	Dental Equipment Supplier point of coordination. See note below.
⊘	Plate
∅	Round/Diameter
W/	With
W/O	Without
x	By (as 6' X 8')

GENERAL PROJECT NOTES

- General project notes apply to all sheets.
- These drawings and copies thereof are legal instruments of service for use of the owner only.
- Any deviations from the contract documents which are necessitated by field conditions shall be brought to the attention of the architect.
- All dimensions are actual and are to face of studs, face of concrete walls, face of frames, or centerline of columns, unless noted otherwise. Exceptions include clear hold dimensions and finished face dimensions on floor plan and reflected ceiling plan.
- Wall types are designated on the floor plan sheet D2.
- All walls shall extend to underside of structure above unless noted otherwise.
- Provisions shall be made at all full-ht nonbearing wall for 1" vertical movement of the building structure without transfer of compressive loads to wall. Fill irregularities between top of wall and deck above with fire safing insulation or fire stopping materials as req'd to meet fire rating of respective walls.
- All penetrations through walls shall be sealed with fire stopping material as req'd to achieve the respective fire-resistive rating and smoke stoppage.
- The general contractor shall furnish and install wood blocking in metal stud partitions for the proper anchorage of all wall attached items: i.e. toilet accessories, cabinets, wall-mounted fixtures, etc. General contractor must verify & provide rated wood studs in walls as required by code.
- Gypsum board surfaces shall be isolated with control joints as per manufacturers requirements and industry standards.
- The contractor shall include all owner furnished and installed items and owner furnished and contractor installed items in the construction, and shall coordinate with the owner to accommodate these items.
- Scribe gypsum board of wall and partitions to irregularities of deck above. Seal tightly around any partitions.
- All work shall conform to the requirements within the current editions of all local, city, state and federal applicable codes adopted by the local jurisdiction. This includes but is not limited to fire, smoke, Americans with Disabilities Act, egress, medical gases & Life Safety.
- Each trade shall be held responsible for knowledge of general notes included throughout the contract documents and the applicable bldg. codes.
- All colors and finish materials shall be approved by the Owner and Owner's agent. Provide 6" x 6" sample for all stained wood to Unthank Design Group for approval.
- Noted dimensions take precedence over scaled dimensions, do not scale drawings.
- The HVAC, plumbing and electrical drawings are supplementary to the arch. drawings. Should there be any discrepancy between the various drawings, it shall be brought to the architect's attention for clarification. Refer to the elevation drawings (on the D10-13 sheets) for locations of under cabinet lighting, compressed air, vacuum or gas outlets. Any compressed air, vacuum, or water to be provided in the trmt. rooms will be noted on the floor plan, or as detailed on D7 sheets. (Note: HVAC contractor shall provide adequate ventilation/cooling for server/tech closet, see also D5).
- The general contractor shall coordinate with the dental equipment supplier for installation of special equipment not shown in these drawings. The general contractor shall verify equipment locations with the dental equip. supplier and/or equip. manufacturer for proper size and location of blocking, backing and utility connections.
- All hardwood trim to be as detailed on sheet D6.
- In the event discrepancies or conflicts arise among drawings and/or other descriptions contained herein, the contractor shall notify the architect immediately for clarification.
- Contractor shall visit project site prior to submittal of bid. Contractor shall establish scope of work from construction documents and actual project site visit. Any omissions, discrepancies or clarifications are to be brought to the immediate attentions of the architect. Failure of contractor to perform in this manner does not allow for additional cost to the owner.
- All gypsum board surfaces are to be finished smooth. Gypsum Association GA-214-96 level 4 finish, with the following addition; any readily visible imperfections in gypsum board surface shall be coated with joint compound and/or skim-coated as required.
- General Contractor must verify and coordinate all operational requirements and clearance dimensions of project components; including Contractor supplied and Owner supplied items. This includes but is not limited to the functional aspects of the following:
A) Appliances, dishwasher, washer, dryer, microwave, disposal, etc. (i.e., door operation clears all door trim, cased opening trim and wall mounted items.)
B) Electronic devices, copier, fax machine, computer, television, VCR, DVD player, sound components, etc. (i.e., raise bottom of wall cabinets 6" where counter top copier lid conflicts occur.)
C) Cabinetry, hardware, pulls, slides, etc. Coordinate and ensure complete free and clear operation of drawers and doors. Provide a 1 1/2" scribe at the ends of all cabinet runs abutting adjacent wall assemblies to ensure adequate clearances.
- Contractor shall itemize all costs and scope of work regarding any change order. This information must be presented to the Owner and Architect for approval prior to any work being executed.
- All light fixtures that come into contact with building insulation must be IC Rated. All light fixtures shall meet all applicable codes from National Electric Code (NEC) to the International Energy Code (IEC). Contractor is to verify code compliance of all light fixtures.
- HVAC Zoning: Should the HVAC system be design-build, Contractor must provide minimum of two (2) separate control zones, each with their own thermostat (see also page D2 for suggested thermostat locations). Reception Desk areas & Waiting Room areas are NEVER to share a control zone with "Treatment Rooms", "Operatories", "Open Bays", and/or "Quiet Rooms". Contractor to verify number and extent of HVAC control zones prior to bidding. Contractor must verify final location of all thermostats with Owner prior to wiring/installation. The Owner may make reasonable changes to final thermostat location(s), prior to wiring, from what is shown on plans at no additional expense to Owner.
- All finish materials are to be installed according to product manufacturer's most current directions and recommendations (including but not limited to: adhesives, surface preparation, subfloor/substrate conditions, moisture barriers, concrete moisture content, concrete pH, etc.), G.C. and Subcontractors are responsible for verifying all current directions and req'ts. with product manufacturers before ordering and installing finish materials.

PROJECT TEAM - DEFINITIONS

OWNER: All references to 'Owner' in these architectural drawings refer to the individual / group of individuals named in the titleblock.
UNTHANK DESIGN GROUP: Dental design consultants. 'Interior Architecture' & 'Interior Design' portions of the project. See 'D' sheets & room finish schedule.
PROJECT ARCHITECT: Also 'Building Shell Architect', 'Coordinating Professional', 'Local Architect' & 'Architect of Record'. Local architect responsible for preparing complete drawings for building department review & permit.
ENGINEER: Prepares MEP drawings under the direction of the Project Architect.
DENTAL EQUIPMENT SUPPLIER (D.E.S.): Prepares dental equipment specifications & drawings illustrating dental utility requirements. Responsible for installation of dental equipment (excludes piped utilities).
OTHERS: All references to 'Others' in these architectural drawings refer to specific trade professionals in relation to the item noted.

D DENTAL EQUIPMENT SUPPLIER COORDINATION


This icon designates points of important coordination with dental equipment supply company representative. Notes describing specific coordinating effort follow.

COORDINATION OF DRAWINGS

Design efforts and construction documents have been reviewed and aligned to the greatest degree possible. It remains the responsibility of the General Contractor, however, to accomplish final coordination of the work, and to recognize the significance of the parties providing for the design of the project. It is extremely important for the General Contractor to obtain all contact information and documentation (completed by: 1. Project Architect; 2. Unthank Design Group; 3. Dental Equipment Supplier) prior to completion of bid and/or pricing efforts. Any conflicts in the contract documents, or arising from the direction of the Dental Equip. Supplier, shall be brought to the attention of Unthank Design Group immediately for clarification.

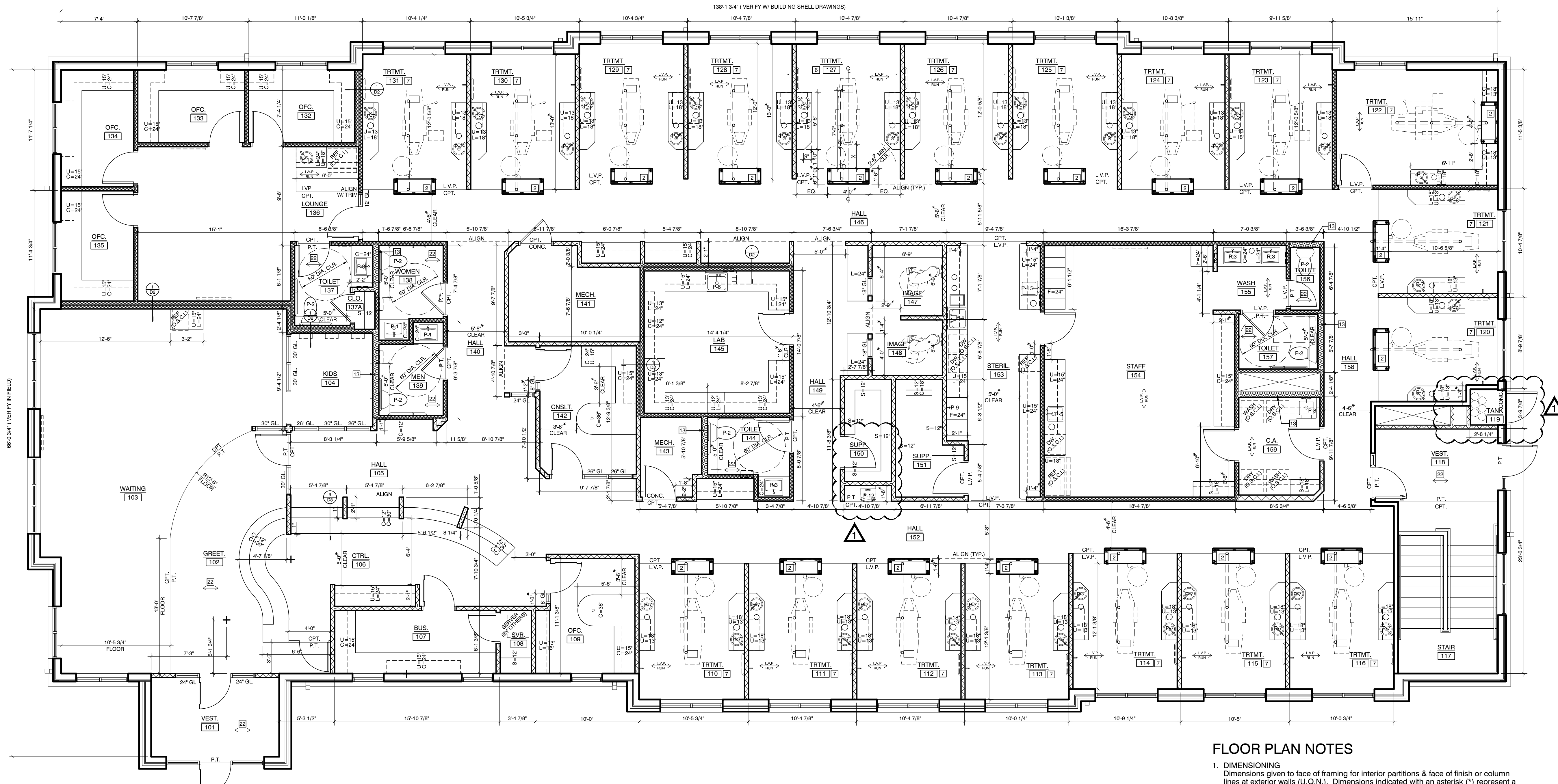
19018
 Copyright © 2020 Michael Unthank, DDS NCARB, Lincoln, NE
 Date: November 20, 2020
 Copyrighted drawings. All unauthorized use & reproduction is strictly prohibited.

NEW OFFICE FOR PRAIRIE MEADOWS DENTAL
 KEARNEY, NEBRASKA

REVISIONS:
 20 Nov. 2020

D1

Unthank Design Group hereby expressly reserves its common law copyright and other property rights in these plans. These plans and drawings are not to be reproduced, changed or copied in any form or manner whatsoever without the express written permission of Unthank Design Group, nor are they to be assigned to any third party without first obtaining written permission and consent.



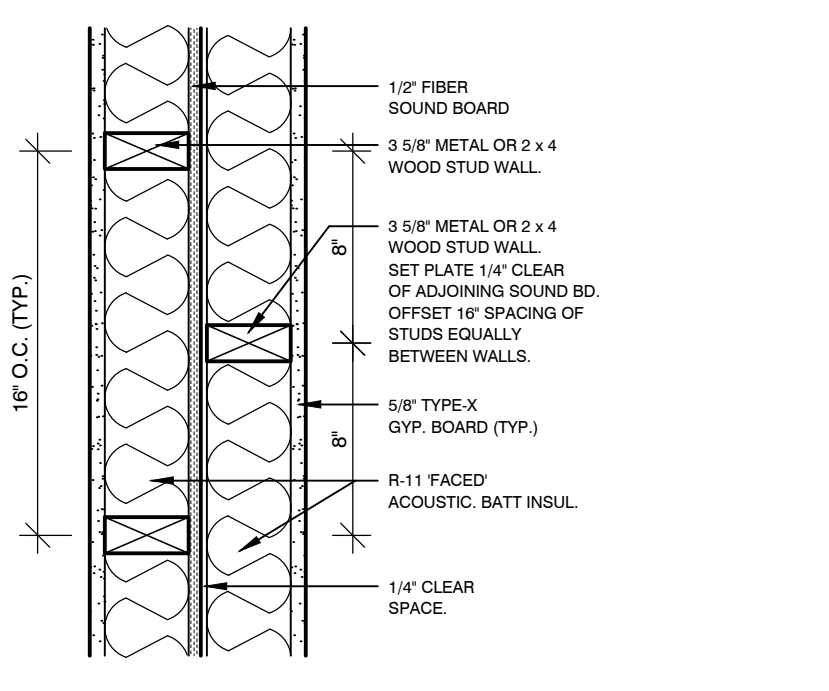
FLOOR PLAN
3/16" = 1" 0"

PLUMBING FIXTURE SCHEDULE

- P-1 LAVATORY
American Standard 'Studio' drop-in sink #0643.008 with Moen 'Arlys' #84770SRN (brushed nickel) single handle faucet (do not install escutcheon). Provide grid strainer in lieu of push-down drain. (See room finish schedule for fixture color selection.)
- P-2 WATER CLOSET
Kohler 'Highline Pressure Lite' #K-3493 17 1/8"H, with #K-4650 'Lustra' seat and supply w/ stop. (Add 1 inch to rough-in dimension from rear wall as allowance for tile wainscot thickness). Trip lever to be wide 'approach' side of room-where wide side to right; change to #K-3493-RA (right trip lever). Verify w/ Floor Plan. (See room finish schedule for fixture color selection.)
- P-3 LAVATORY
American Standard 'Studio' drop-in sink #0643.008 with Delta #559LF-PP faucet. Provide grid strainer in lieu of pop-up drain. (See room finish schedule for fixture color selection.)
- P-4 SINK
Kohler 'Mayfield' #K-5964-3, 25"x22"x8" single compartment, enameled cast iron sink with Kohler #8901 strainer. Provide one (1) Delta #141-DST single lever faucet and one (1) Delta #441-DST single lever faucet with sprayer with two (2) sets of supplies and stops. Install sprayer in center hole of sink, with single lever faucets at sides. One (1) faucet-mounted eye wash to be provided by dental equipment supplier (equal to Guardian #G1100). (See room finish schedule for fixture color selection.)
- P-5 SINK
Kohler 'Iron/Tones' #K-6584, 17"x19"x8" enameled cast iron, provided with a deck mounted Delta #441-DST faucet w/ sprayer, Kohler #K-8901 strainer, and 1-1/2" tailpiece to sediment trap below counter. Sediment trap to be provided by Dental Equipment Supplier.
- P-6 SINK
Kohler 'Mayfield' #K-5964-3, 25"x22"x8" single compartment, enameled cast iron sink, provided with a deck mounted Delta #340-DST faucet w/ sprayer, Kohler #K-8901 strainer, and 1-1/2" tailpiece to sediment trap below counter. Sediment trap to be provided by Dental Equipment Supplier.
- P-7 SINK
Elkay #RLR12, top mount 14 1/2" O x 6" deep stainless steel sink with Elkay #LK8 drain fitting. Sink shall be provided with a Delta #141-DST faucet and Tapmaster #1770 'Euro' foot-activation unit. Do not place supply or vent lines where recessed towel & tissue dispensers are to be located. See also interior elevations and FLOOR PLAN, this sheet. (Layout per detail 9/D9.) (See room finish schedule for fixture color selection.)
- P-8 MOP RECEPTOR
Florestone #MSR-2424 mop receptor. Provide Fiat #830-AA service sink faucet. (Wall mount faucet; verify mounting height w/ owner.) (See room finish schedule for fixture color selection.)
- P-9 VISTACOOL
VISTACOOL unit provided by Dental Equip. Supplier, installed by General Contractor within lower cabinet as directed by Dental Equip. Supplier. Provide cold water supply line and drain to plumbing waste per Dental Equip. Supplier.

- P-10 SINK
Elkay #RLR12, top mount 14 1/2" O x 6" deep stainless steel sink with Elkay #LK8 drain fitting. Sink shall be provided with a Delta #141-DST faucet.
- P-11 SINK
Kohler 'Iron/Tones' #K-6584, 17"x19"x8" enameled cast iron sink, provided with a deck mounted Delta #441-DST faucet w/ sprayer, Kohler #K-8901 strainer.
- P-12 DRINKING FOUNTAIN
Elkay #EZSBSWLK wall mount bottle filling station w/ single ADA cooler. Mount at 34" A.F.F. max. to spout. Provide power, water, and blocking as required. (Verify all requirements).
- FD FLOOR DRAIN Provide floor drain at location shown.

- PLUMBING/UTILITY NOTES:**
- 1) Do not locate plumb. supply and waste lines below trash drops in countertops. This area must be kept clear for waste receptacles by Owner. See cabinet elevs.
 - 2) Verify requirements for water heater and any plumbing connections to dental equipment and HVAC system with owner and Dental Equipment Supplier. (Also see comp. air and/or nat. gas plan notes this sheet.) Do not place plumbing supply, vent lines, or electrical lines where recessed towel & tissue dispensers are to be located. See also sheets D10, D11, D12, D13, and FLOOR PLAN, this sheet.
 - 3) Provide cold water supply line to refrigerator in staff lounge and to counter location in lab. See lab keynote #17 this sheet.
 - 4) Provide water main electrically controlled solenoid valve and remote on-off switch located on sheet D5 and this sheet.
 - 5) Verify locations of all recessed dispensers indicated in these drawings. Plumbing supply, vent piping, and electrical lines shall not interfere with rough-in areas for dispensers. Plumbing lines improperly placed will be corrected at no additional cost to owner.
 - 6) Provide recirculating pump w/ timer (5 days/2 days) and related piping return loop for Hot water piping.
 - 7) See Room Finish Schedule for plumbing fixture color & finish specifications.
 - 8) D.W. indicates under-counter dishwasher location. Provide supply & drain as required, verify with equipment req'ts.
 - 9) W/D indicates washer and dryer location. Provide supply & drain as required, verify with equipment req'ts.



1 DBL. SOUND WALL
1 1/2" = 1" 0"

FLOOR PLAN NOTES

1. DIMENSIONING
Dimensions given to face of framing for interior partitions & face of finish or column lines at exterior walls (U.O.N.). Dimensions indicated with an asterisk (*) represent a clear 'hold' dimension to face of finish/ gyp. board. Dimensions referencing building shell/ exterior walls or demising walls are for clarity only, refer to building shell drawings.
2. BUILDING SHELL DRAWINGS
See building shell drawings for all conditions and details relating to building shell construction. Coordinate mechanical, plumbing, & electrical service information with building shell drawings.
3. FLOOR MATERIALS
See Room Finish Schedule for specification of all floor materials & transition moldings. See plan for floor material transitions. For floor transitions occurring at doorways, center transition below closed door.
4. GLAZING
Graphic glazing indication represents recommendation only. Refer to building shell drawings for exact type, size, & location of all exterior windows.

SYMBOLS LEGEND

- Stud Wall
3 5/8" Metal studs, 20 GA, 16" O.C. with 5/8" Type X gypsum board on both sides, unless noted otherwise. Terminate gypsum wall board 4" +/- above finished ceiling condition, typ.
- Sound Wall
3 5/8" Metal studs with 5/8" Type X gypsum wall board on both sides, and 3 1/2" acoustic batt insulation between the studs, unless noted otherwise. All sound wall assemblies full-height to decking, including gypsum wall board. Scribe & connect wall to underside of decking material above (typ.). Acoustically seal all penetrations. 2x4 wood studs may be substituted for 3 5/8" metal studs. (General Contractor must verify & provide rated wood studs in walls & blocking as required by code.)
- Note:
Building shell, demising wall, etc. construction. All elements, design, detailing and drawings by others.
- P.T. RUN
Flooring plank direction. See detail See details #11/D13.
- L.V.P. RUN
Flooring plank direction. See detail See details #12/D13.

KEYNOTES

- Referenced on Sheet D2.0
- 1 Provide empty 2" i.d. PVC pipe & fittings to serve as a chase below the floor, connecting the base of Utilitech™ Wall to two (2) locations as shown. Vertical 2" i.d. pipe will connect to the horizontal chase through the floor within the Utilitech™ Wall cabinet base and at all locations shown within the treatment room. The vertical 2" i.d. PVC pipe shall be finished flush with the floor. All dimensions are to the center of the 2" diameter. Trim carpet to match i.d. of PVC & provide Doug Mockett TG-2 floor grommets to finish within room, see plan note #11 this sheet. (Note: grommets must be provided prior to installation of dental equipment.) (See also plan & detail, sheet D5)
 - 2 For typ. Utilitech™ Walls, see #4/D7a/b for framing with chair in fully reclined position.
 - 3 "X" dim. from chair to Utilitech™ Wall to be 26" clear with chair in fully reclined position.
 - 4 not used.
 - 5 not used.
 - 6 Notes, dimensions, accessory keynotes & conditions indicated in this trtmt room are typical all trtmt. rooms U.O.N.
 - 7 See notes, dimensions, accessory keynotes & elevation references at typical treatment room. U.O.N.
 - 8 not used.
 - 12 not used.
 - 13 Frame w/ 6" studs.
 - 22 For floor tile pattern see detail #11/D13.

UNTHANK DESIGN GROUP
5930 VanDeventer Drive
Lincoln, Nebraska 68516
ph 402.423.3300 fax 402.423.3377
© Copyright 2020
Michael Unthank DDS NCARB

NEW OFFICE FOR PRAIRIE MEADOWS DENTAL KEARNEY, NEBRASKA

ARCHITECT
MICHAEL G. UNTHANK
A-I-L-L
STATE OF NEBRASKA
11-20-2020

Date: November 20, 2020
Copyrighted drawings. All unauthorized use & reproduction is strictly prohibited. Copyright © 2020 Michael Unthank, DDS NCARB, Lincoln, NE

REVISIONS:

20 Nov. 2020

D2.0

Unthank Design Group hereby expressly reserves its common law copyright and other property rights in these plans. These plans and drawings are not to be reproduced, changed or copied in any form or manner whatsoever without the express written permission of Unthank Design Group, nor are they to be assigned to any third party without first obtaining written permission and consent.



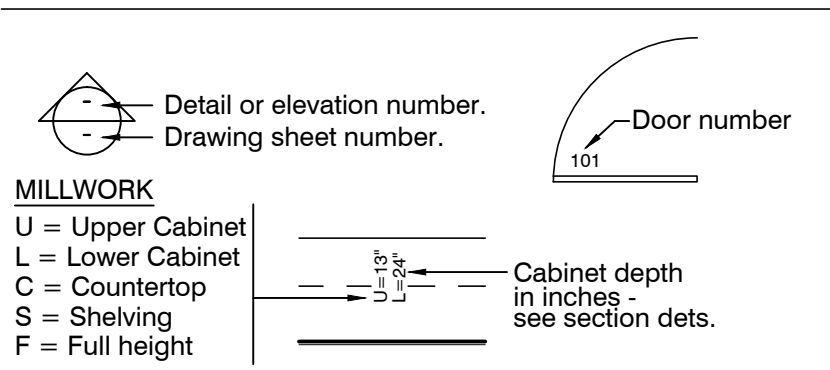
FLOOR PLAN
3/16" = 1' 0"

FLOOR PLAN NOTES

- 1-4. See sheet D2.0
2. **BUILDING SHELL DRAWINGS**
See building shell drawings for all conditions and details relating to building shell construction. Coordinate mechanical, plumbing, & electrical service information with building shell drawings.
5. **FIRE EXTINGUISHERS**
Provide code required number of fire extinguisher cabinets and fire extinguishers, UL-listed #2A-10BC. Provide AmeraProducts' Semi-Recessed Fire Extinguisher Cabinet #516-EL-SF, stainless steel front finish (for a 5 lb. dry chemical F.E.). Locations to be determined in the field & approved by Owner. (www.ameraproducts.com)
6. **COMPRESSED AIR (C.A.)**
Provide compressed air at all locations indicated with the symbol (t CA) or (t 2), see elevs. & sheet D7. (Verify entire system w/ Owner & Dent. Equip. Supp.) Symbol number indicates mounting height in inches A.F.F. Delivery nozzle shall be specified by Dental Equip. Supplier. Provided and installed by General Contractor. Verify all locations with Owner.
7. **ROD & SHELF**
All rod & shelf combinations called for in plan but not elevated on the 'D' sheets to be 'K & V' #770 coat rod & #734 flanges; melamine shelf w/ melamine edge.
8. **COMPRESSOR/VAC.**
Provide acoustically isolated room for dental air compressor and vacuum units. Provide room with a floor drain. Provide drain in wall for vacuum unit per MFR directions. Contractor to provide all utilities to dental utility closet (Comp./Vac. room). Verify and provide all electrical, plumbing, vacuum piping and special venting as directed by Dent. Equip. Supp.
9. **O.S.C.I.**
Equipment item (owner supplied, contractor installed). Verify and provide all utility, mounting and support required. Contractor to provide Owner with available accounts where Owner may purchase equipment at Contractor pricing.

10. **NATURAL GAS (N.G.)**
10.A. Provide natural gas at all locations indicated with the symbol (t NG) or (t 2). Symbol number indicates mounting height in inches A.F.F. Installation by General Contractor, and delivery nozzle as specified by Dent. Equip. Supp. Verify locations with Owner. Gas requirement relates to dental equipment & procedures only.
10.B. See drawings and specifications by others regarding all other gas requirements. This includes but is not limited to water heater, fireplace, furnace, main building service, etc.
11. **GROMMETS**
Provide grommets at countertops & floors as noted on plan & elevations. See Room Finish Schedule for all color selections.
-Trash Drop: Doug Mockett #TM1B-SSS 6" dia/2" deep
-Floor: Doug Mockett #T32 for 2" i.d. PVC
-Wire Mgmt: Doug Mockett #EDP series, 2-1/2" hole (See note #6, Sheet D5 for quantity)
12. **TANKS**
Provide Med-Gas tank room, verify required floor area & number of tanks. Tanks room to be rated & ventilated per code. It is the responsibility of the General Contractor to verify all req'ts with code officials. Further detail (tank restraints, manifold, piping, alarm, etc) to be coordinated with Dent. Equip. Supp. & governing code officials.
13. **MEDICAL GASES (M.G.)**
Provide medical gasses as directed by the Dental Equipment Supplier at all locations indicated with the symbol (t MG) or (t 2), see elevs. & sheet D7. (Verify entire system w/ Owner & Dent. Equip. Supp.) Symbol number indicates mounting height in inches A.F.F. Delivery nozzle shall be specified by Dental Equip. Supplier. Provided and installed by General Contractor. Verify all locations with Owner and Dental Equipment Supplier.

SYMBOLS LEGEND



Note: Dimensions nominal, see sections, sheet D8 for cabinet box and countertop details/dimensions.

ACCESSORY KEYNOTES

- A Bradley grab bars. See #3/D9 for specification & mounting details.
- B Bradley #235 recessed trash & towel disp.
- C Bradley #9663 recessed medicine cabinet.
- D Bradley #5124 recessed double roll toilet tissue disp. (not used).
- F Bradley #987-36 recessed facial tissue dispenser.
- G Bradley #2441 recessed towel dispenser.
- H Doug Mockett #CH12A (Satin Chrome) coat hook at 5'-6" A.F.F. Provide blocking in wall behind gyp. bd. for coat hooks.
- J Doug Mockett #TL-27 R-3" table leg. Center on peninsula.
- K Bradley #852-001-24 24" grab bar at 2'-10" A.F.F. Provide blocking in wall behind gyp. bd. for grab bar.
- L Doug Mockett #TM1B-SSS trash drop. See details #5/D9, #6/D9 & #9/D9.
- M Bradley #234 recessed trash & towel disp.
- N Doug Mockett #TM1C/SQ-SSS trash drop. See detail #7/D9.

ACCESSORY NOTES:
See Keynote #1/D2, plan note #11/D2, & plan note #6/D5 for additional grommets.
Recessed dispensers to be provided as shown, see elevs. Frame walls accordingly and route all plumbing & electrical utilities around recessed areas. (See interior elevations). See #3/D9 for mounting details.
Provide wood blocking in walls for all accessories.
General contractor must verify & provide rated wood studs in walls as required by code.

KEYNOTES

- 1 Provide empty 2" i.d. PVC pipe & fittings to serve as a chase below the floor, connecting the base of Utilitech™ Wall to two (2) locations as shown. Vertical 2" i.d. pipe will connect to the horizontal chase through the floor within the Utilitech™ Wall cabinet base and at all locations shown within the treatment room. The vertical 2" i.d. PVC pipe shall be finished flush with the floor. All dimensions are to the center of the 2" diameter. Trim carpet to match i.d. of PVC & provide Doug Mockett T3-2 floor grommets to finish within room, see plan note #11 this sheet. (Note: grommets must be provided prior to installation of dental equipment.) (See also plan & detail, sheet D5)
- 2 For typ. Utilitech™ Walls, see #4/D7 for framing.
- 3 Provide power & blocking for wall-mounted game station (O.S.C.I.). Verify all req'ts & mounting height.
- 4 Provide power & blocking for wall-mounted TV (O.S.C.I.). Verify all req'ts & mounting height.
- 5 Shading indicates location for dental utilities (comp. air, vac., etc.) at Utilitech™ Wall & chair base as req'd for dental delivery. Verify all req'ts. w/ Dent. Equip. Supp. See sheet D7 & detail on sheet D5.
- 6 Notes, dimensions, accessory keynotes & conditions indicated in this trtmt room are typical all trtmt. rooms U.O.N.
- 7 See notes, dimensions, accessory keynotes & elevation references at typical treatment room. U.O.N.
- 8 Provide matching plastic laminate on back of all cabinets & back splash crossing exterior windows. Typical.
- 9 Provide power for vacuum & compressor at lower level. Verify requirements w/ dent. equip. supp. (208-240V). See plan note #8.
- 10 Provide Master "shut-off" switches to suite - (1) for water & (1) for compressor/vacuum at this location (Vest.). (Verify switch voltage for comp./vac.) Use "Red Jewel" type lighted toggle switches for master shut off. By Bryant Electric (800-323-2792) or equal: #4901PLR120. Coordinate with Dental Equipment Supplier.
- 11 Provide power, plumbing, & ventilation to exterior for wash/dry units. Verify all req'ts.
- 12 not used.
- 13 Provide power and blocking for future X-ray unit by dent. equip. supp. Verify all req'ts.
- 14 X-ray unit by dent. equip. supp. Verify power & blocking req'ts.

Referenced on this sheet

- 15 Shelving: provide (6) 3/4" part. bd. / melamine shelves at indicated width w/ K&V 80 84" shelf standards & K&V 180 adjustable shelf brackets. Mount shelf standards 2'-6" apart (max.), bottom at 18" A.F.F. & locate over 2x blocking/framing.
- 16 Dental vac. in sink base cab. See elev. #1/D11.
- 17 Provide cold water supply line to model trimmer. Drain model trimmer to sink (above or below counter - verify w/ Owner & dent. equip. supp.). Verify req'ts w/ dent. equip. supp.
- 18 Under-counter lab vacuum by Owner. Provide penetrations in countertop for vacuum tubing at Dental equipment per Owner's direction.
- 19 Provide 3/4" plywood backing behind gyp. board surface (see interior elevation).
- 20 For wall detail see #1/D9.
- 21 Provide wall mounted steel access ladder (for attic hatch).
- 22 1-HR med-gas tanks room. See dwgs. by Dent. Equip. Supplier.
- 23 Rate & ventilate tanks room as req'd by codes, see floor plan note #12.
- 24 Wood shelving: provide (3) 3/4" part. bd. / melamine shelves at indicated width w/ K&V 80 84" shelf standards & K&V 180 adjustable shelf brackets. Mount shelf standards 2'-6" apart (max.), bottom at 54" A.F.F. & locate over 2x blocking/framing. Install lowest shelf at 60" A.F.F.
- 25 See note #23 on sheet D1. Coordinate cabinetry with equipment for operation.
- 26 Provide power, water, and blocking as required for wall mounted drinking fountain. (Verify all requirements).
- 27 Suggested location for phone panel. Provide GYP plywood to 8'-0" A.F.F. (Paint plywood to match wall color.)
- 28 Fire Extinguisher and cabinet. See plan note #5 on this sheet.
- 29 Suggested locations for thermostats. See also #26 sheet D1.
- 30 Dashed line indicates location of 1-HR fire rated wall assembly.
- 31 General Contractor to verify & provide return air (no supply) at ceiling & 1 1/2" clear door undercut for ventilation of electronic component closet.

UNTHANK DESIGN GROUP
5930 Vandeventer Drive
Lincoln, Nebraska 68516
ph: 402.423.3300 fax: 402.423.3377
© Copyright 2020
Michael Unthank DDS NCARB

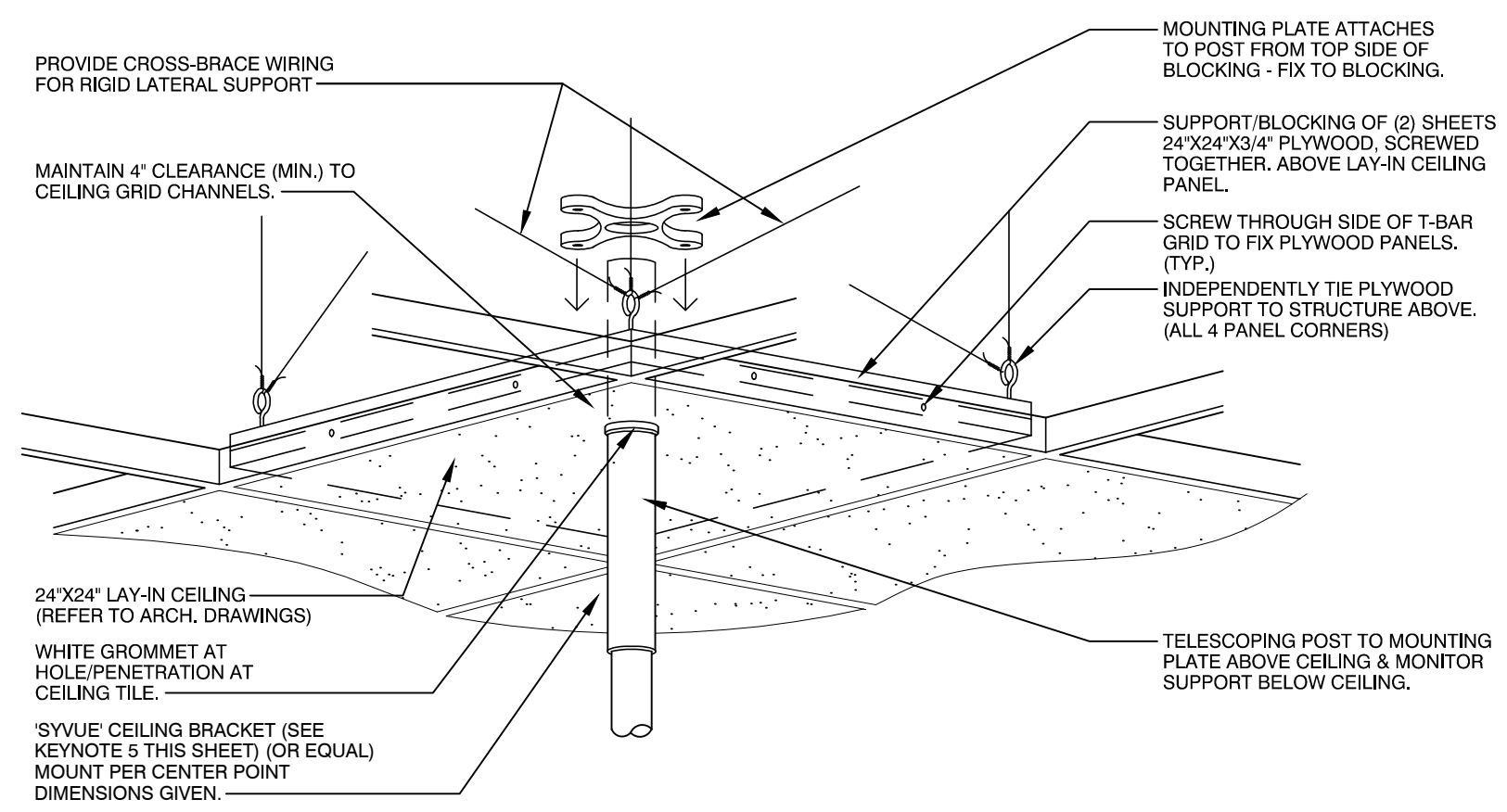
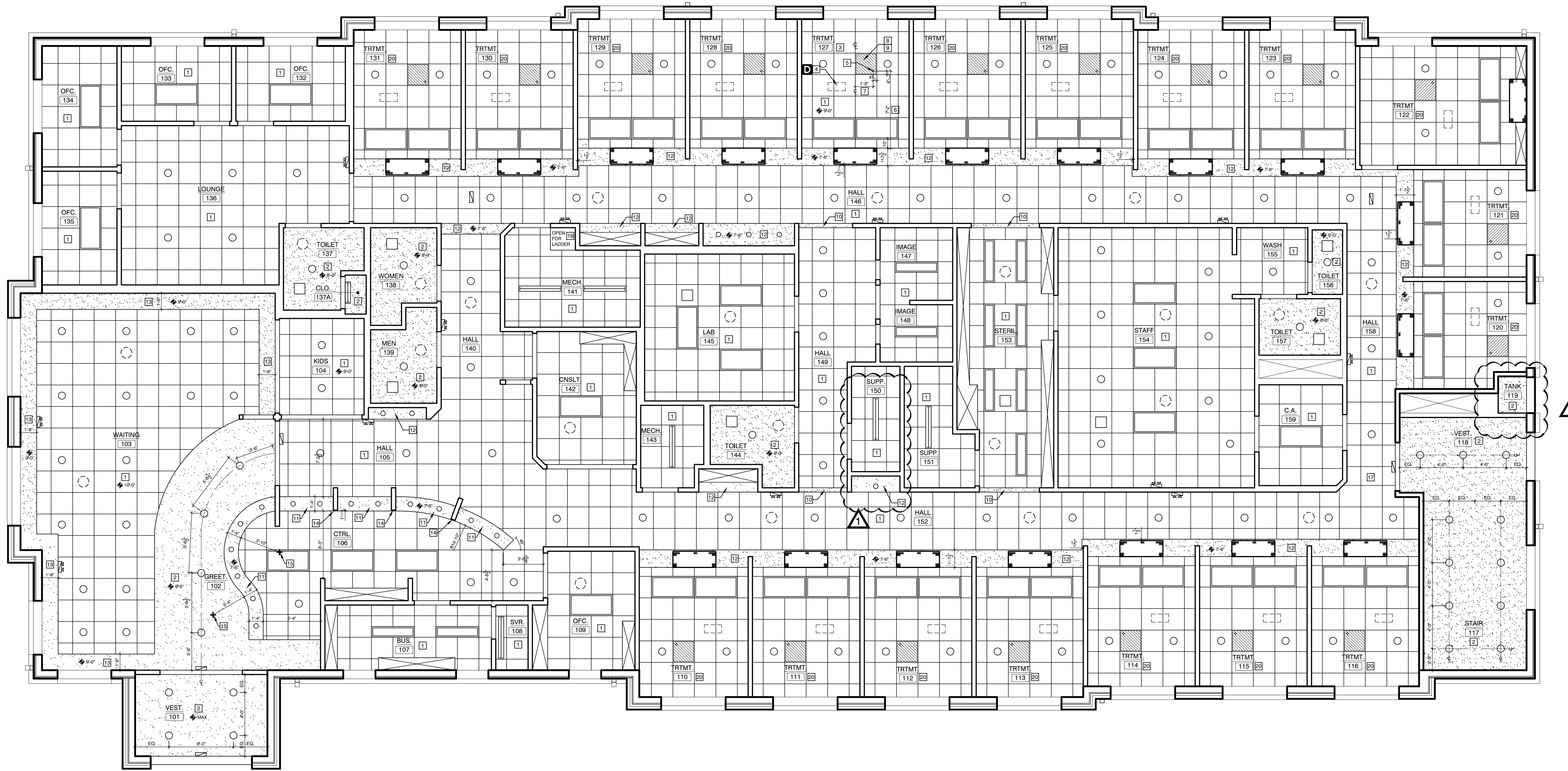
NEW OFFICE FOR PRAIRIE MEADOWS DENTAL KEARNEY, NEBRASKA

ARCHITECT
MICHAEL G. UNTHANK
AIA, LL.M.
STATE OF NEBRASKA
11-20-2020

Date: November 20, 2020
Copyrighted drawings. All unauthorized use & reproduction is strictly prohibited. Copyright © 2020 Michael Unthank, DDS NCARB, Lincoln, NE

REVISIONS:
20 Nov. 2020

Unthank Design Group hereby expressly reserves its common law copyright and other property rights in these plans. These plans and drawings are not to be reproduced, changed or copied in any form or manner whatsoever without the express written permission of Unthank Design Group, nor are they to be assigned to any third party without first obtaining written permission and consent.



1 TRTMT. ROOM CLG. DETAIL
NO SCALE

REFLECTED CEILING PLAN
3/16" = 1' 0"

REFLECTED CEILING PLAN NOTES

- CEILING HEIGHTS**
All ceiling heights are 9'-0" A.F.F. unless otherwise noted.
- VALANCES**
Gyp. bd. valances above wall cabinets (where drawn) shall be built out from the wall 1" less than the cabinet depth.
- LOWERED CEILING HEIGHTS**
Ceiling heights in Lab, Toilets & Closets may be lowered to 8'-0" A.F.F. to accommodate mechanical system components, etc.
- BUILDING SHELL CONSTRUCTION COORDINATION**
General Contractor must field verify all indicated ceiling heights with building shell construction for possible obstructions. Bring any conflicts to the attention of Unthank Design Group for clarification.
- DIMENSIONING**
Dimensions on Reflected Ceiling Plan are given to the face of Gyp. Bd. (U.O.N.).
- EXTRA CEILING TILE**
General Contractor to provide (2) full boxes of extra ceiling tile for future use by Owner.
- MONITOR MOUNTS**
All treatment room ceiling monitor mounts/brackets to be set so that the bottom of the monitor is at 6'-8" A.F.F.
- CEILING FINISH MATERIAL**
All ceiling finish material shall be Fire Class (ASTM E1264) Class A.

KEYNOTES Referenced on Sheet D3

- Lay in regular acoustical tile ceiling.
- Gypsum board finish ceiling.
- Notes, dimensions & conditions indicated in this treatment room are typical in all trtmt. rooms U.O.N.
- Provide blocking for ceiling mounted dental light. Verify all conditions w/ Dent. Equip. Supp.
- Syvue PV ceiling monitor mount for flat panel monitor (O.S.C.I.). Bottom of monitor at 6'-8" A.F.F. www.syvue.com
- Dimension from F.O. Utilitech™ Wall to C.L. of monitor mount.
- Dimension from C.L. of room /chair to center point of monitor mount. Verify offset to Dr's side of room. Ceiling mount to clear ceiling grid by 4" all sides.
- Structurally tied plywood backing above (1) ceiling tile. See detail #1/D3.
- Provide all data, cable & power connections to location above ceiling for monitor operation. See sheet D5.
- Gyp. bd. finish header at 7'-6" A.F.F.
- Gyp. bd. bulkhead with soffit at 7'-6" A.F.F., match profile of cabinet/counter top below.
- Gyp. bd. bulkhead with soffit at 7'-6" A.F.F.
- Gyp. bd. bulkhead with soffit at 9'-0" A.F.F.
- Bulkhead overhangs wall by 1".
- See sheet D2 for center point location.
- not used.
- Narrow ceiling tiles to center grid in both halls / rooms.
- not used.
- Provide attic access hatch above wall mounted ladder at this location.
- See keynotes, dimensions & references at typical treatment room.

LEGEND

- Recessed LED/fluorescent light fixture, 2x4 troffer.
- Recessed fluorescent light fixture, 1x4 troffer.
- Surface mounted LED light fixture
- Recessed LED can light fixture
- Exhaust fan, see specification on Sheet D5.
- Suggested location for background sound speaker (by others). Locate volume controls in field w/ Owner. G.C. to provide volume control junction box & conduit to above ceiling in each room where speakers are located per the direction of Owner. Verify all background sound components, controls, source, and locations w/ system vendor.
- Gyp. board valance above casework. Valance shall be built out from the wall 1" less than the cabinet depth.
- Ceiling mounted Exit Light
- Emergency Light
- Lay in acoustical tile ceiling. LAT ceilings to be a 24"x24" tile. See room finish schedule for specification.
- This icon designates points of important coordination with dental equipment supply company representative. Notes describing specific coordinating effort follow.

UNTHANK DESIGN GROUP
5930 VanDervoort Drive
Lincoln, Nebraska 68516
ph: 402.423.3300 fax: 402.423.3377
© Copyright 2020
Michael Unthank DDS NCARB

NEW OFFICE FOR PRAIRIE MEADOWS DENTAL KEARNEY, NEBRASKA

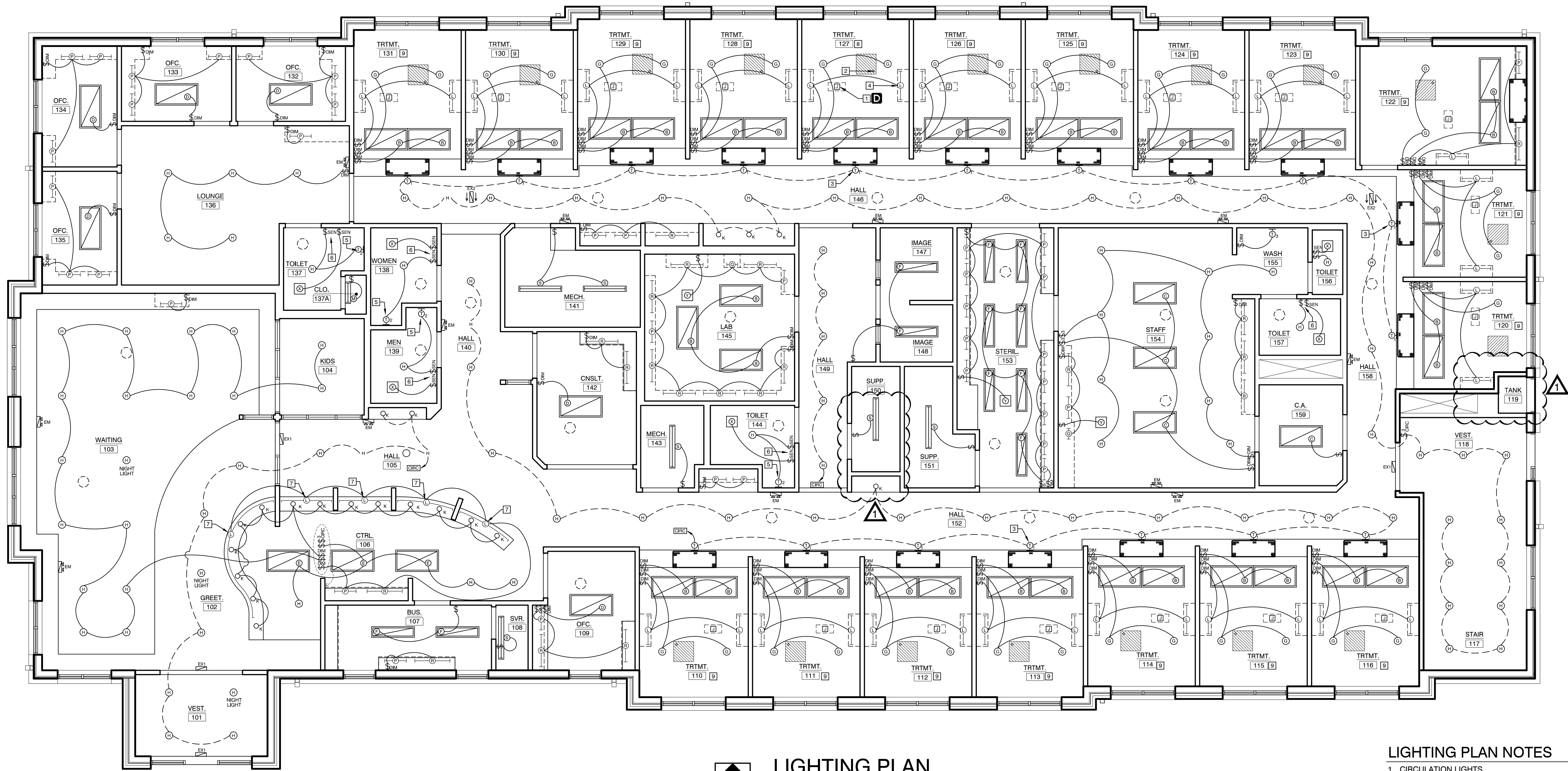
Date: November 20, 2020
Copyrighted drawings. All unauthorized use & reproduction is strictly prohibited. Copyright © 2020 Michael Unthank, DDS NCARB, Lincoln, NE

19018

REVISIONS:

20 Nov. 2020

Unthank Design Group hereby expressly reserves its common law copyright and other property rights in these plans. These plans and drawings are not to be reproduced, changed or copied in any form or manner whatsoever without the express written permission of Unthank Design Group, nor are they to be assigned to any third party without first obtaining written permission and consent.



LIGHTING PLAN
1/4" = 1'

LIGHT FIXTURE SCHEDULE

Mark	Description	Lamp	Manufacturer/Product
A	not used	-	-
B	Recessed 2x4 Troffer	LED (5000K 90 CRI)	Metalux #24SR-LD2-64-C-UNV-L950-CD1 (EXEMPT from energy calculations, see note #11)
C	Recessed 2x4 Troffer	LED	Lithonia #2VTL4 48L ADP EZ1 LP835
D	Recessed 2x4 Troffer	LED	Lithonia #2AVL4 50L MDR EZ1 LP835
E	Recessed fluorescent	3-32w	Lithonia #2GT8 3 32 PC2S MVOLT GEB10IS (with parabolic louver)
EM	Emergency light		Lithonia Quantum #ELM2L LED emergency lighting unit (white). Mount on wall, 6" below ceiling.
EX1	Exit light		Lithonia 'Precise' #LRP 1 GC 120/277 EL N, ceiling mount, green on clear.
EX2	Exit light		Lithonia 'Precise' #LRP 2 GMR DA 120/277 EL N, ceiling mount, green on mirror.
F	Recessed fluorescent	2-32w	Lithonia #GT8 2 32 PC2S MVOLT GEB10IS (with parabolic louver)
G	Recessed Can	LED	Lithonia #LDN6 50/15 LO6AR LSS MVOLT EZ10 TRW
H	Recessed Can	LED	Lithonia #LDN6 30/15 LO6AR LSS MVOLT EZ10 TRW
J	Designates Electrical Junction Box		
K	Recessed Accent	LED	Lithonia #40PAZ TRMW LED L3LED T24
L	Under-counter LED flexible cable strip	LED (3500K)	WAC Lighting #LED-T24-35-5-WT LED tape light (or approved equal), undercounter. Provide remote power supply, and all necessary accessories for install.
M	LED wraparound	LED	Lithonia #LBL2 20L EZ1 LP835
P	Under-cabinet	LED	Lithonia "UCEL" under-cabinet light #UCEL 24IN 30K 90CRI WH. Verify & provide all required system components and accessories for direct-wiring.
Q	Under-cabinet	LED	Lithonia "UCEL" under-cabinet light #UCEL 12IN 30K 90CRI WH. Verify & provide all required system components and accessories for direct-wiring.
R	Under-cabinet	LED	Lithonia "UCEL" under-cabinet light #UCEL 36IN 30K 90CRI WH. Verify & provide all required system components and accessories for direct-wiring.

Mark	Description	Lamp	Manufacturer/Product
S	LED wraparound	LED	Lithonia #LBL4 48L EZ1 LP835
T1	Wall accent	LED	WAC Lighting "Float" #WS-7318-35-BN (brushed nickel). Mount at 72" A.F.F.
T2	Valance Light	LED	Hinkley Lighting "Mila" #53553BN-LED 3 light bath light (brushed nickel). Mount at 6'-8" A.F.F.
T3	Valance Light	LED	Hinkley Lighting "Mila" #53554BN-LED 3 light bath light (brushed nickel). Mount at 6'-8" A.F.F.

LIGHTING NOTES:

- Schedule item designations refer to the "Lithonia Lighting" Product Selection Guide, latest edition.
- Exhaust fans and washer/dryer units are to be vented to the outside.
- All fluorescent light tubes in Treatment Rooms shall have C.R.I. of 90+.
- Verify & provide IC rated fixtures as required, see plan note #10/D4.
- Conceal wiring and undercabinet light transformer/splice boxes within upper cabinets. Hold any exposed wiring tight to underside/rear of cabinet. Conceal wiring to greatest extent possible.
- ALL LED fixtures/gangs shall include a dimming switch. (Typ.)

EXHAUST FAN SCHEDULE

Mark	Description	Manufacturer/Product
X	Exhaust Fan	Nutone #ZN110M
Y	Exhaust Fan	Nutone #QTXEN110
Z	Exhaust Fan	Nutone #8210. Equip fan w/ Nutone inline automatic adjustable thermostat. Verify temp. setting w/ dent. equip. supplier & HVAC contractor.

EXHAUST FAN NOTES:

- Exhaust fans are to be vented to outside.
- See drawings by Engineer for full MEP plans. General Contractor shall compare drawings & bring any discrepancies to the attention of the Architect for clarification.

LEGEND

- ⌘ Switch location
- DIM Indicates dimmer to be provided for light fixtures as indicated. (provide at all LEDs - typ.)
- SEN Indicates Sentry motion activated switch with manual override.
- CIRC General circulation lights. See lighting plan note #1.
- D Dental Equipment Supplier Coordination: This icon designates points of important coordination with dental equipment supply company representative. Notes describing specific coordinating effort follow.

KEYNOTES

- Referenced on Sheet D4
- Provide junction box for ceiling mounted dental light. (Consult with Owner) Verify power & blocking req'ts w/ Dent. Equip. Supp.
 - T.V. monitor hookups at ceiling. See sheets D3 & D5. Typical all treatment rooms U.O.N.
 - Center wall sconces on Utilitech Wall, mount at 72" A.F.F. (J-Box to be recessed in center stud as req'd.)
 - L' type LED strip light to be mounted on top of upper cabinet in treatment rooms.
 - Center on sink/mirror at 6'-8" A.F.F.
 - Center of switch plates at 42" A.F.F. to fit in tile wainscot.
 - L' type is under-counter LED strip light at front desk location. See section #9/D8 & elevs. Typical.
 - Notes, dimensions & conditions indicated in this treatment room are typical in all trmt. rooms U.O.N.
 - See keynotes, dimensions & references at typical treatment room.

LIGHTING PLAN NOTES

- CIRCULATION LIGHTS**
Switch the lighting group marked CIRC at two switch locations marked SCIRC.
- BACKGROUND SOUND**
Background Sound' system by others. Verify all components, locations & requirements with system vendor/Owner. Locate volume controls in field with Owner. Provide volume control in each room where speakers are located, and place conduit and junction boxes per the direction of Owner.
- CIRCUITING COORDINATION**
Lighting Plan is not intended to show circuiting. Rather, indicates switch patterns. See drawings by Others for circuiting.
- FIELD MEETING**
Set up field meeting with Owner before starting wiring work; review all switch, outlet & fixture locations; mark exact locations. Do not install by scaling locations off plans. The Owner may make reasonable adjustments in location, before start of wiring, from that shown on plans without additional expense.
- SWITCH & COVER PLATES**
Color of all switches, elec. outlets and cover plates shall be as specified in the Room Finish Schedule & approved by the Owner. Switches to be rocker type. Receptacles to be decora type.
- TILE WAINSOT**
All switches in Toilet Rooms to be recessed into tile wainscot. Top of switch plate to be even with the bottom of the bullnose tile. See elevations.
- EXTERIOR LIGHTING**
See drawings by Others for all conditions and specifications relating to exterior lighting fixtures.
- OWNER APPROVAL**
Electrical contractor to provide Owner with cut sheets for all 'T' type fixtures for Owner approval in writing prior to ordering.
- CODE COMPLIANCE**
All light fixtures shall meet applicable codes, including the National Electric Code (NEC) & International Energy Conservation Code (IECC). Contractor to verify requirements & provide compliant fixtures.
- IC RATED FIXTURES**
It is the General Contractor's responsibility to determine all Insulation Contact (IC) rating requirements. Where IC rated light fixtures are required, General Contractor should contact Unthank Design Group for alternate fixture specifications prior to pricing the project.
- SPECIALIZED DENTAL LIGHTING EXEMPTION**
All type 'B' LED light fixtures within treatment rooms are an integral part of specialized procedural dental lighting; fixtures exempt from energy audit/compliance calculations, reference 2006 IECC 505.5.1
- EMERGENCY & EXIT LIGHTING**
Ceiling & lighting plans show suggested locations for exit & emergency lighting. Provide specified fixtures as required to meet all building codes & local ordinances. See fixture schedule below.
- LED DIMMING**
All LED fixtures/gangs shall include a dimming switch.

UNTHANK DESIGN GROUP
5930 VanDevoort Drive
Lincoln, Nebraska 68516
ph 402 423 3300 fax 402 423 3377
© Copyright 2020
Michael Unthank DDS NCARB

NEW OFFICE FOR PRAIRIE MEADOWS DENTAL KEARNEY, NEBRASKA

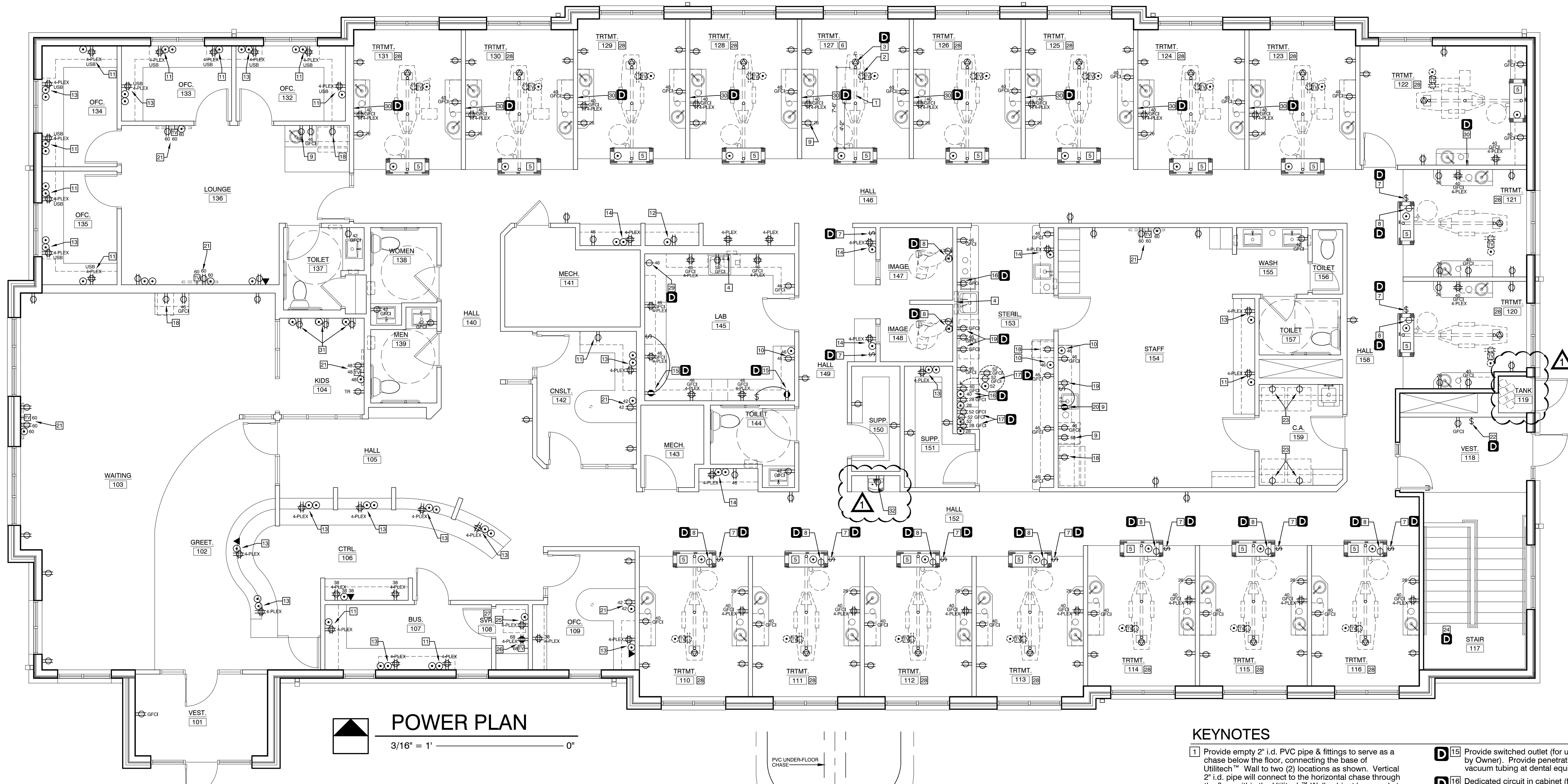
19018

Date: November 20, 2020
Copyrighted drawings. All unauthorized use & reproduction is strictly prohibited. Copyright © 2020 Michael Unthank, DDS NCARB, Lincoln, NE

REVISIONS:

△ 20 Nov. 2020

Unthank Design Group hereby expressly reserves its common law copyright and other property rights in these plans. These plans and drawings are not to be reproduced, changed or copied in any form or manner whatsoever without the express written permission of Unthank Design Group, nor are they to be assigned to any third party without first obtaining written permission and consent.



POWER PLAN
 3/16" = 1' 0"

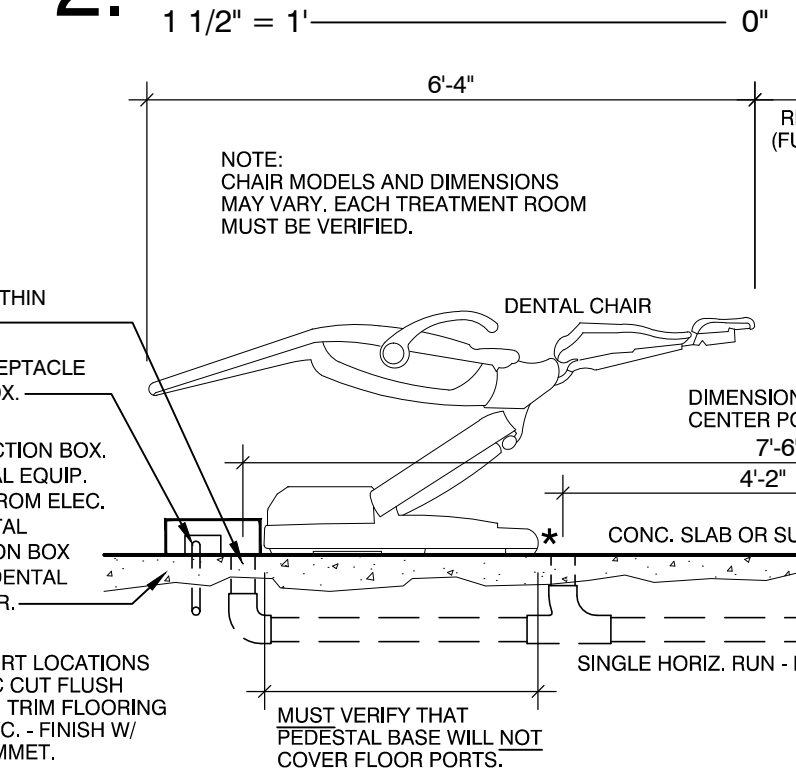
POWER PLAN NOTES

- MOUNTING HEIGHT**
Install all electrical outlets at 18" A.F.F. (U.O.N.) or as directed as typical within treatment rooms. Where numbers are shown adjacent to the electrical outlet symbol, the number shown indicates the height (in inches) at which the electrical outlet shall be centered above the finished floor.
- COMPUTER SYSTEM COORDINATION**
Verify with Owner all computer requirements; i.e., dataports, dedicated circuits, additional telephone lines, conduit runs, if any.
- PHONE SYSTEM COORDINATION**
Phone system by others. General contractor to coordinate all conditions & provide access to project as required by phone/sound contractors retained by Owner. Provide all required electrical power to phone board/panel system.
- FIELD MEETING**
Set up field meeting with Owner before starting wiring work; review all switch, outlet, fixture, and electrical panel locations; mark exact locations. Do not install by scaling locations off plans. The Owner may make reasonable adjustments in location, before start of wiring, from that shown on plans without additional expense.
- SWITCH & COVER PLATES**
Color of all switches, elec. outlets and cover plates shall be as specified in the Room Finish Schedule & approved by the Owner. Switches to be rocker type. Receptacles to be decora type.
- HOLES IN COUNTERTOPS**
Provide approx. (24) 2 1/2" dia. holes (+ grommets) in countertops for wire management at locations as directed by Owner. Field verify with Owner. Cut & place at no charge. See note #11 sheet D2 for grommet specification.
- EXTERIOR POWER**
See drawings by Others for all conditions and specifications relating to exterior power requirements.
- ELECTRICAL PANEL**
Provide minimum 400 AMP service panel, unless directed otherwise by Electrical Engineer of Record. Electrical panel selection must include loads for all dental equipment. Verify & coordinate with Dental Equipment Supplier.
- COORDINATION WITH OTHERS**
Office technology system cabling & components of Voice, Data & Background Sound to be by Others. General Contractor to provide all boxes, j-boxes, conduit, required blocking / support for rough in. Stub rough in conduit 4 inches above finished ceiling elevation. typ. Voice & data to be located within single boxes at locations indicated. (See also sheet D3). Vendor / Technology consultant drawings will govern when in conflict with these Architectural drawings.
- COMBINATION (GANG) BOXES**
To the greatest extent possible, provide combination (gang) boxes for voice, data, power, etc. Verify & coordinate availability and selection with Owner.
- COMPRESSOR & VACUUM**
Provide power for compressor & vacuum (remote location). Verify all requirements with Dental Equipment Supplier. See also plan note #8, sheet D2.
- RECESSED DISPENSER COORDINATION**
Verify locations of all recessed dispensers indicated in these drawings, see Sheet D2. Power, phone, data & plumbing lines shall not interfere with rough-in areas for dispensers. All utility lines improperly placed will be corrected at no additional cost to owner.

LEGEND

- Duplex electrical outlet
- Tamper-resistant duplex outlet (verify w/ local codes)
- Four-plex electrical outlet
- Switched duplex electrical outlet
- Switched four-plex electrical outlet
- Special equip. power connection (verify req'ts)
- Floor electrical outlet (verify req'ts)
- Telephone outlet
- Cable television outlet
- Dataport for computer wiring (provide 1" dia. conduit to above ceiling).
- Switch location
- Outlets at ceiling (Items shown dashed at unique location as called for)
- Numbers adjacent to symbol indicate mounting height A.F.F. (in inches). Where number is not present, mounting height is 18" A.F.F.
- GFCI Ground Fault Circuit Interrupter.
- This icon designates points of important coordination with dental equipment supply company representative. Notes describing specific coordinating effort follow.

2. TRTMT. RM. FLOOR DET.



1. FLOOR CHASE DETAIL



KEYNOTES

- Provide empty 2" i.d. PVC pipe & fittings to serve as a chase below the floor, connecting the base of Utilitech™ Wall to two (2) locations as shown. Vertical 2" i.d. pipe will connect to the horizontal chase through the floor within the Utilitech™ Wall cabinet base and at all locations shown within the treatment room. The vertical 2" i.d. PVC pipe shall be finished flush with the floor. All dimensions are to the center of the 2" diameter. Trim carpet to match i.d. of PVC & provide Doug Mockett TG-2 floor grommets to finish within room (see plan note #11 sheet D2 for specification). (Note: grommets must be provided prior to installation of dental equipment.)
- Provide power & T.V. cable connections at ceiling for monitor (O.S.C.I.) (See sheet D3 - Ceiling Plan for location). Verify cable circuiting & any special switching with Dent. Equip. Supp.
- Recessed floor electrical outlet for dental chair within dental utility junction box, centered on chair. Verify requirements with Dent. Equip. Supp. See details #1 & 2/D5.
- Do not place electrical or plumbing lines in areas for recessed dispensers. See plan sheet D2 & interior elevations.
- Provide five (5) duplex outlets at all Utilitech™ Wall locations. Refer to D7 sheets for exact outlet placement.
- Notes, dimensions & conditions indicated in this treatment room are typical in all trtmt. rooms U.O.N.
- Doorbell-type remote switch for x-ray activation. Verify all requirements with Dental Equipment Supplier.
- Dedicated circuit for x-ray unit. Verify all requirements with Dental Equipment Supplier.
- In cabinet (upper/lower, see height noted).
- Wall mounted telephone outlet and related electrical outlet.
- Outlets & ports indicated in this gang condition to be mounted below counter and coordinated with hole in countertop for wire-management. Outlets & ports at 28" A.F.F. See power plan note #6, this sheet.
- Outlets & ports indicated in this gang condition to be mounted below counter and coordinated with hole in countertop for wire-management. Outlets & ports at 22" A.F.F. Mount CPU under counter with CPU holder as specified by technology consultant (verify with tech. consultant). See power plan note #6, this sheet.
- CPU location. Provide outlets & ports as indicated in this gang condition, to be mounted below counter and coordinated with hole in countertop for wire-management. Outlets & ports at 22" A.F.F. Install CPU in lower cabinet (verify with tech. consultant). See power plan note #6, this sheet.
- CPU location. Provide outlets & ports as indicated in this gang condition, to be mounted below counter and coordinated with hole in countertop for wire-management. Outlets & ports at 28" A.F.F. Install CPU in lower cabinet (verify with tech. consultant). See power plan note #6, this sheet.
- Provide switched outlet (for under-counter lab vacuum by Owner). Provide penetrations in countertop for vacuum tubing at dental equip. per Owner's direction.
- Dedicated circuit in cabinet (for dental equipment by Owner). Verify all req'ts with Dent. Equip. Supplier.
- Provide redundant dedicated circuit gangs (for countertop sterilizer by Owner). One is 110V; one is 208-240V (20 AMP -v-ry). Verify all req'ts with Dent. Equip. Supplier.
- Provide outlet (for refrigerator by Owner).
- Provide outlet (for under-counter dishwasher by Owner).
- Provide switched outlet for disposal.
- Provide power, cable T.V. & blocking for wall mounted T.V. (O.S.C.I.). Verify all req'ts & mounting height.
- Provide Master "shut-off" switches to suite - (1) for water & (1) for compressor/vacuum at this location (Vest.). (Verify switch voltage for comp./vac.) Use Red Jewel type lighted toggle switches for master shut off. By Bryant Electric (800-323-2792) or equal: #4901PLR120. Coordinate with Dental Equipment Supplier.
- Provide dedicated circuit (for Washer/Dryer units by Owner). Verify power req'ts, 208-240V.
- Provide power to compressor & vacuum at lower level. Verify req'ts with Dent. Equip. Supp. (208-240V) See plan note #8 sheet D2.
- Provide power, data & phone outlets for phone system/computer server closet. Verify all req'ts with equip. suppliers. Coordinate all outlet locations & mounting heights with free standing equipment & utility panels.
- Provide power & cable (for stereo/digital music service on component rack by Others). Verify with Owner.
- General Contractor to verify & provide return air (no supply) at ceiling & 1 1/2" clear door undercut for ventilation of electronic component closet.
- See notes, dimensions, accessory keynotes & elevation references at typical treatment room. U.O.N.
- Dedicated circuit (for porcelain glazing oven by D.E.S.). Verify all req'ts with Dent. Equip. Supplier.
- Provide power for future wall mounted X-ray. Verify all requirements with Dental Equipment Supplier.
- Provide power and data for wall mounted game system (by Owner). Verify mounting height w/ Owner.
- Provide power and blocking for wall mounted drinking fountain. Verify outlet height w/ mnfr. specifications.

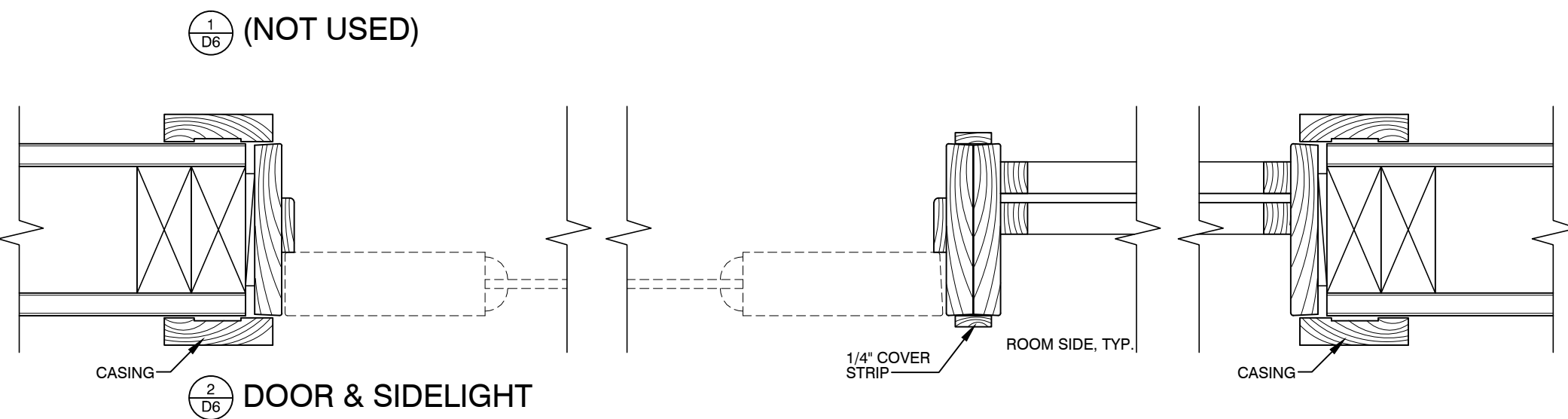
Referenced on Sheet D5

Doors & Frames Notes

- All solid doors shall be 1 3/4" thick, solid core doors as scheduled and specified on this sheet.
- Door hardware finish shall be noted on finish schedule.
- Certain door types may be proprietary in their sourcing - refer to Door Types & Trim' legend below.
- Refer to 8-1/2" x 11" Room Finish Schedule for finish specifications. Material selection includes:
 - interior doors (species & finish)
 - wood trim (species & finish)
 - hardware finish
 - all cabinetry and countertop selections
 - grommet colors
 - acoustical ceiling panel type
 - all wall and floor finish materials
- Set glazing 'outboard' to allow blinds to be mounted within room.
- Hollow metal frames shall be 16 GA all welded construction, no knock down frames allowed. All welds to be ground smooth, entire frame assembly to be factory primed and prepared to receive hardware.
- All door, window and sidelight glazing to be 1/4" tempered and set in place with clear silicone.
- Maximize overall assembly and glass dimension, do not trim or cut casing. Coordinate all building elements, see plan for sidelight glass dimension (±). Field verify and coordinate all conditions.
- Textured glass to be installed with "textured" side facing outward (Hall side), "smooth" side to face inward (Room side).
- All closers are to be mounted on the specified side, see hardware set and schedule. Closers shall not be viewable from Waiting Room, typical.

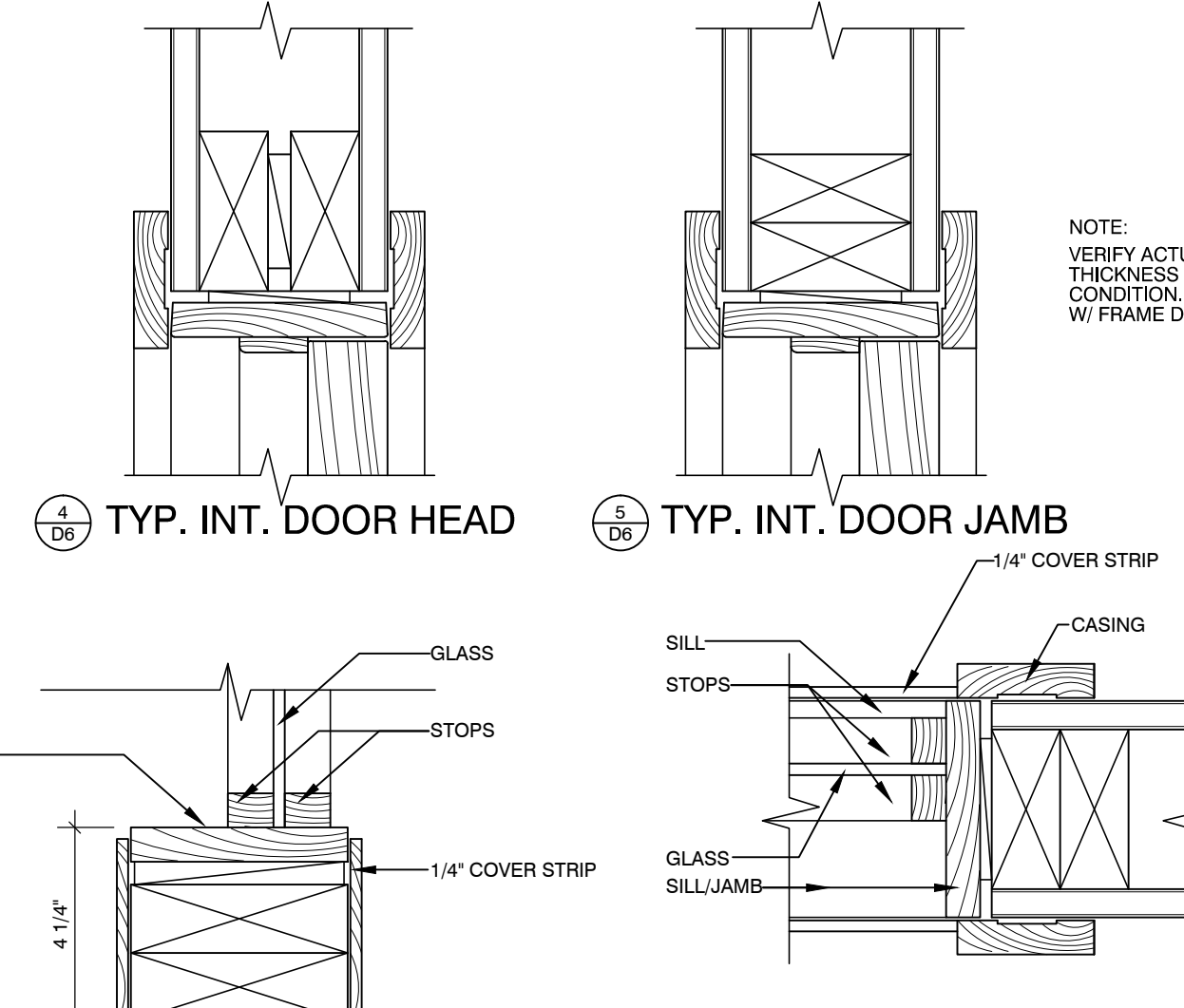
DOOR + SIDELIGHT CONDITIONS

3" = 1'-0"



DOOR TRIM

3" = 1'-0"



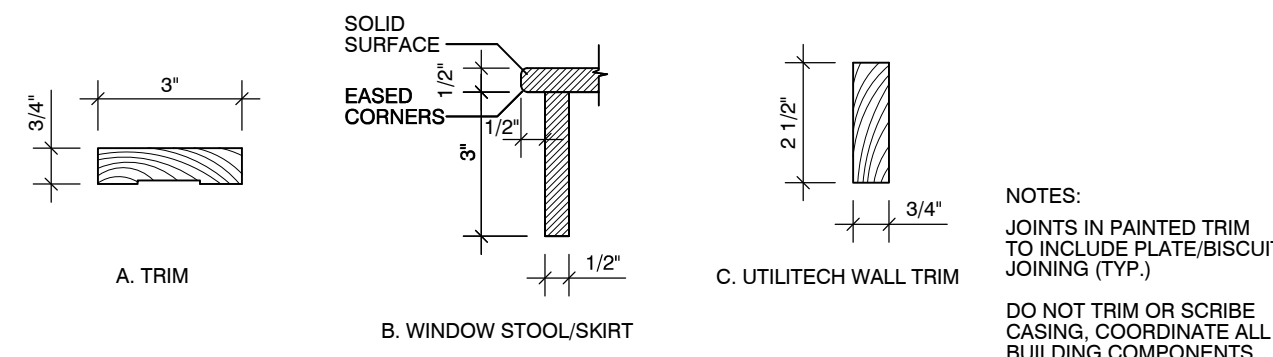
Hardware Sets

- Hardware Set No. 1, each door to have:
 1 1/2 pair butts, 'Hager' BB1279, 4 1/2" x 4 1/2".
 1 latchset, 'Schlage' S10D, Neptune.
 1 closer, LCN #1461H (push-side mounted).
 1 kickplate, 6" x door width less 2" (push-side-mounted)
 1 floor stop, 'Ives' #436.
- Hardware Set No. 2, each door to have:
 1 1/2 pair butts, 'Hager' BB1279, 4 1/2" x 4 1/2".
 1 closer, LCN #1461H (pull-side mounted).
 1 privacy lockset, 'Schlage' S40D, Neptune.
 1 drop seal, 'Pemko' #434 APKL.
 1 floor stop, 'Ives' #436.
- Hardware Set No. 3, each door to have:
 1 1/2 pair butts, 'Hager' 1279, 4 1/2" x 4 1/2".
 1 latchset, 'Schlage' S10D, Neptune.
 1 floor stop, 'Ives' #436.
- Hardware Set No. 4, each door to have:
 1 1/2 pair butts, 'Hager' 1279, 4 1/2" x 4 1/2".
 1 latchset, 'Schlage' S10D, Neptune.
 Head & Jamb gasketing, 'Pemko' S88 Series, color: clear. (Verify/coord. with door stop dimension)
 1 drop seal, 'Pemko' #434 APKL.
 1 closer, LCN #1461H (pull-side mounted).
- Hardware Set No. 5, each door to have:
 1 1/2 pair butts, 'Hager' 1279, 4 1/2" x 4 1/2".
 1 privacy lockset, 'Schlage' S40D, Neptune.
 Head & Jamb gasketing, 'Pemko' S88 Series, color: clear. (Verify/coord. with door stop dimension)
 1 drop seal, 'Pemko' #434 APKL.
 1 floor stop, 'Ives' #436.
- Hardware Set No. 6, each door to have:
 1 1/2 pair butts, 'Hager' BB1279, 4 1/2" x 4 1/2".
 1 closer, LCN #1461H (pull-side mounted).
 1 door pull, 'Ives' 8102HD-6, with F Mount hardware.
 1 door push, 'Ives' #8200 3 1/2" x 15".
 1 kickplate, 6" x door width less 2" (push side-mounted).
 1 drop seal, 'Pemko' #434 APKL.
 Head & Jamb gasketing, 'Pemko' S88 Series, color: clear. (Verify/coord. with door stop dimension)
 1 floor stop, 'Ives' #436.
- Hardware Set No. 7, each door to have:
 1 1/2 pair butts, 'Hager' 1279, 4 1/2" x 4 1/2".
 1 lockset, 'Schlage' S51PD, Neptune.
 Head & Jamb gasketing, 'Pemko' S88 Series, color: clear. (Verify/coord. with door stop dimension)
 1 drop seal, 'Pemko' #434 APKL.
 1 floor stop, 'Ives' #436.
- Hardware Set No. 8, each door to have:
 1 1/2 pair butts, 'Hager' 1279, 4 1/2" x 4 1/2".
 1 latchset, 'Schlage' S10D, Neptune.
 1 floor stop, 'Ives' #448.
- Hardware Set No. 9, each door to have:
 1 pair butts, 'Hager' 1279, 4 1/2" x 4 1/2".
 1 latchset, 'Schlage' S10D, Neptune.
 1 hinge pin door stop, 'Ives' #70.
- Hardware Set No. 10, each door to have:
 1 1/2 pair butts, 'Hager' 1279, 4 1/2" x 4 1/2".
 1 latchset, 'Schlage' S10D, Neptune.
 1 hinge pin door stop, 'Ives' #70.
- Hardware Set No. 11, each door to have:
 1 1/2 pair butts, 'Hager' 1279, 4 1/2" x 4 1/2".
 1 latchset, 'Schlage' S10D, Neptune.
 1 closer, LCN #1461H (pull-side mounted).
 Smoke gasketing as required by code.
- Hardware Set No. 12, each door to have:
 1 1/2 pair butts, 'Hager' 1279, 4 1/2" x 4 1/2".
 1 latchset, 'Schlage' S10D, Neptune.
 Head & Jamb gasketing, 'Pemko' S88 Series, color: clear. (Verify/coord. with door stop dimension)
 1 drop seal, 'Pemko' #434 APKL.
 1 closer, LCN #1461H (push-side mounted).

(1) NOT USED.

TRIM ELEMENTS

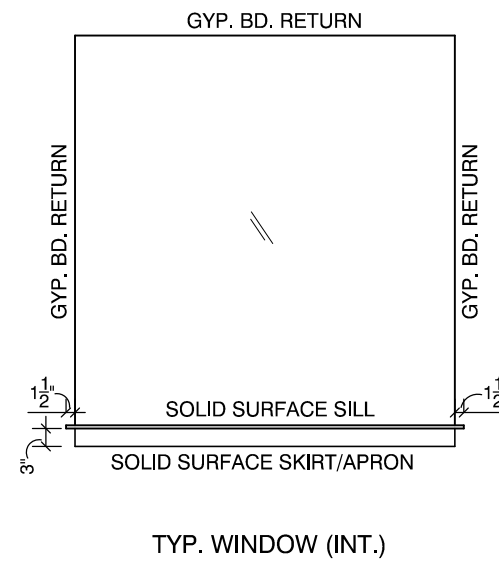
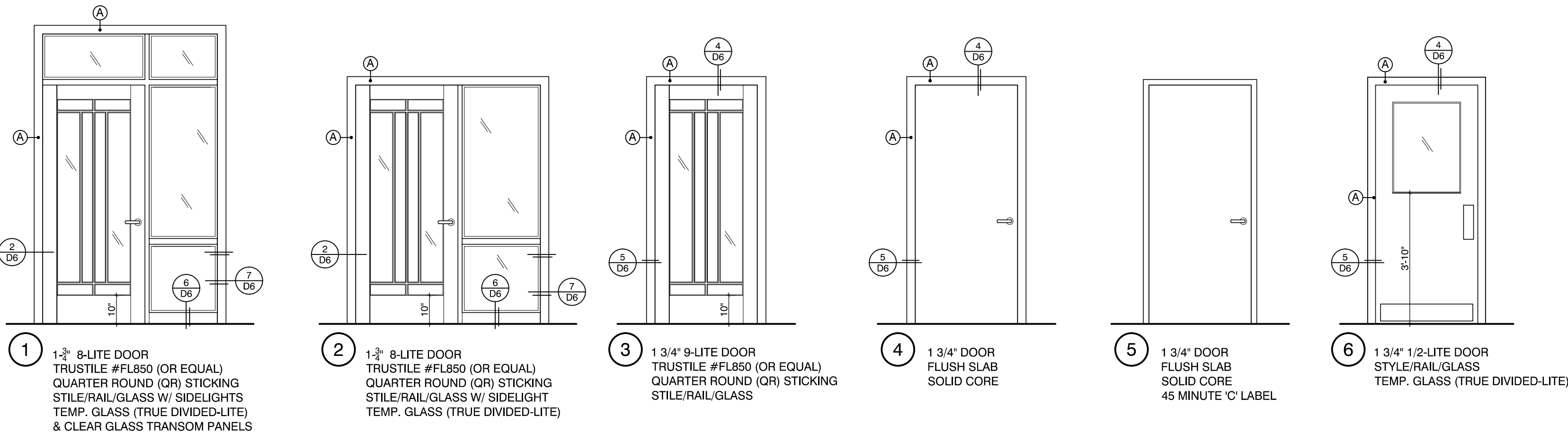
3" = 1'-0"



NOTES:
 JOINTS IN PAINTED TRIM TO INCLUDE PLATE/BISCUIT JOINING (TYP.)
 DO NOT TRIM OR SCRIBE CASING. COORDINATE ALL BUILDING COMPONENTS.

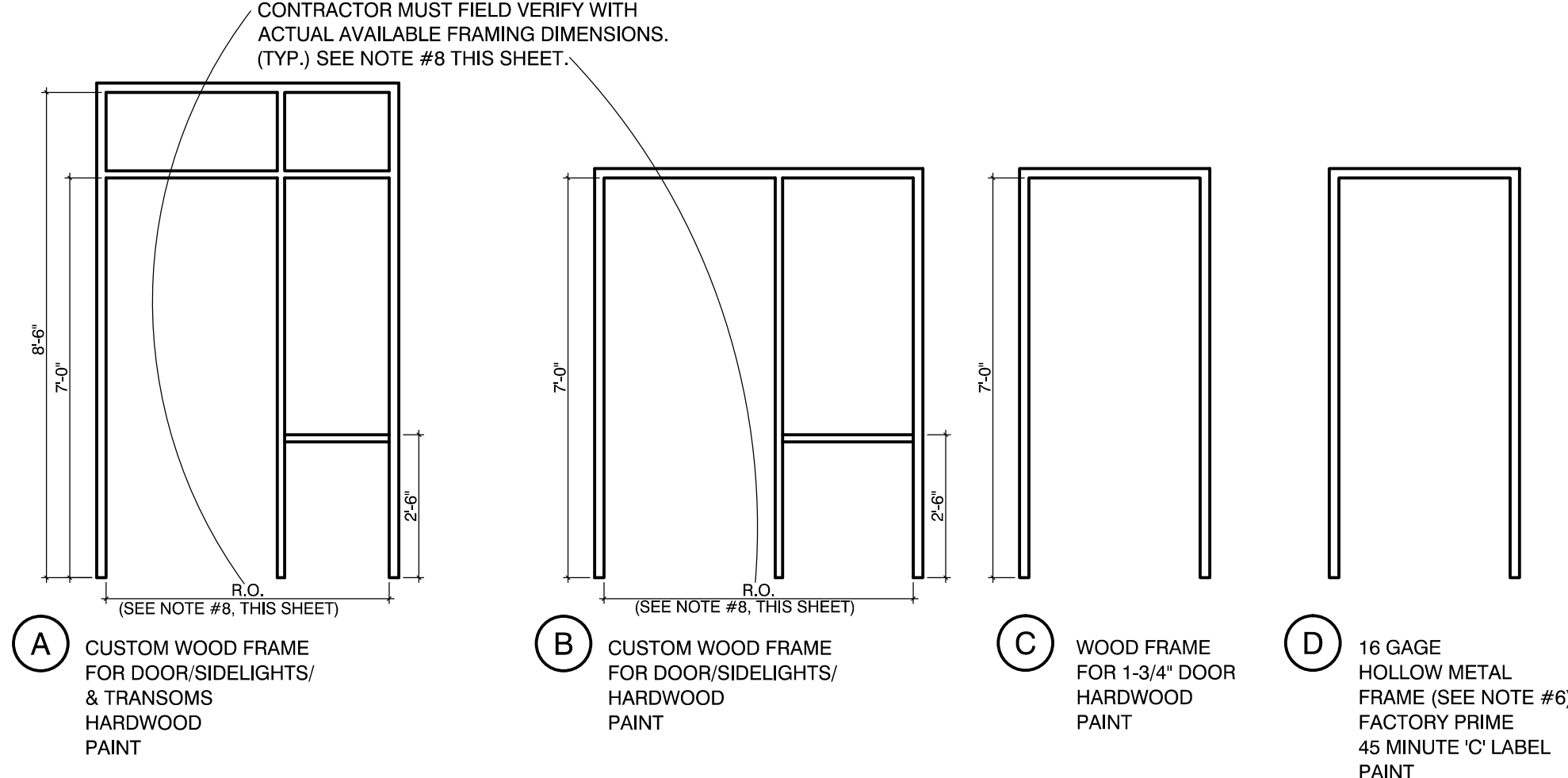
DOOR TYPES & TRIM

3/8" = 1'-0"



FRAME TYPES

3/8" = 1'-0"



DOOR DESIGN BASIS:
 DESIGN OF DOOR TYPES 1, 2, & 3 SHALL BE BASED ON DESIGN OF DOORS, LLC. CATALOGUE NUMBERS AS SPECIFIED. TRUSTILE DOORS, LLC. CATALOGUE NUMBERS AS SPECIFIED. SUBMIT ALTERNATES TO BE APPROVED BY ARCHITECT & OWNER

DOOR SCHEDULE

DOOR NO.	DOOR TYPE	DOOR			FRAME TYPE	HARDWARE SET	REMARKS
		W	H	T			
101A	-	-	-	-	-	-	*
101B	-	-	-	-	-	-	*
102	1	3'-0"	7'-0"	1-3/4"	A	1	30" SIDELIGHT
106	-	-	-	-	-	9	HARDWARE FOR GATE @ GREETING.
107	3	3'-0"	7'-0"	1-3/4"	C	3	
108	4	2'-8"	7'-0"	1-3/4"	C	8	DOOR TO HAVE 1 1/2" CLEAR UNDERCUT
109	2	3'-0"	7'-0"	1-3/4"	C	3	8" SIDELIGHT
118A	-	-	-	-	-	-	*
119	-	-	-	-	-	-	* 1HR FIRE RATED DOOR AND FRAME
122	8	3'-0"	7'-0"	1-3/4"	C	3	
132	4	3'-0"	7'-0"	1-3/4"	C	7	
133	4	3'-0"	7'-0"	1-3/4"	C	7	
134	4	3'-0"	7'-0"	1-3/4"	C	7	
135	4	3'-0"	7'-0"	1-3/4"	C	7	
136	2	3'-0"	7'-0"	1-3/4"	C	3	12" SIDELIGHT
137	4	3'-0"	7'-0"	1-3/4"	C	5	
137A	4	2'-8"	7'-0"	1-3/4"	C	3	
138	4	3'-0"	7'-0"	1-3/4"	C	2	SET CLOSER TO LIMIT MAX DOOR SWING AT 90°
139	4	3'-0"	7'-0"	1-3/4"	C	2	SET CLOSER TO LIMIT MAX DOOR SWING AT 90°
141	5	3'-0"	7'-0"	1-3/4"	D	12	SET CLOSER TO LIMIT MAX DOOR SWING AT 170°
142A	2	3'-0"	7'-0"	1-3/4"	C	3	SET CLOSER TO LIMIT MAX DOOR SWING AT 170°
143	5	3'-0"	7'-0"	1-3/4"	D	4	SET CLOSER TO LIMIT MAX DOOR SWING AT 90°
144	4	3'-0"	7'-0"	1-3/4"	C	2	
145	4	3'-0"	7'-0"	1-3/4"	C	5	
151	5	3'-0"	7'-0"	1-3/4"	D	11	
152	5	3'-0"	7'-0"	1-3/4"	D	11	
154	4	3'-0"	7'-0"	1-3/4"	C	3	
156	4	2'-8"	7'-0"	1-3/4"	C	5	
157	4	3'-0"	7'-0"	1-3/4"	C	5	
159	4	3'-0"	7'-0"	1-3/4"	C	10	

Accessibility Notes

- All threshold elements and floor material transitions shall be limited to a height of 1/2" (max). Raised thresholds shall be beveled with a slope no greater than 1:2.
- Door hardware limited to lever-style (typ.)
- Specified door closers all fully adjustable; verify opening force of 5 lbf (max).



NEW OFFICE FOR PRAIRIE MEADOWS DENTAL KEARNEY, NEBRASKA
 19018
 ARCHITECT
 MICHAEL G. UNTHANK
 ARCHITECT
 OF NEBRASKA
 11-20-2020
 Date: November 20, 2020
 Copyrighted drawings. All unauthorized use & reproduction is strictly prohibited. Copyright © 2020 Michael Unthank, DDS NCARB, Lincoln, NE

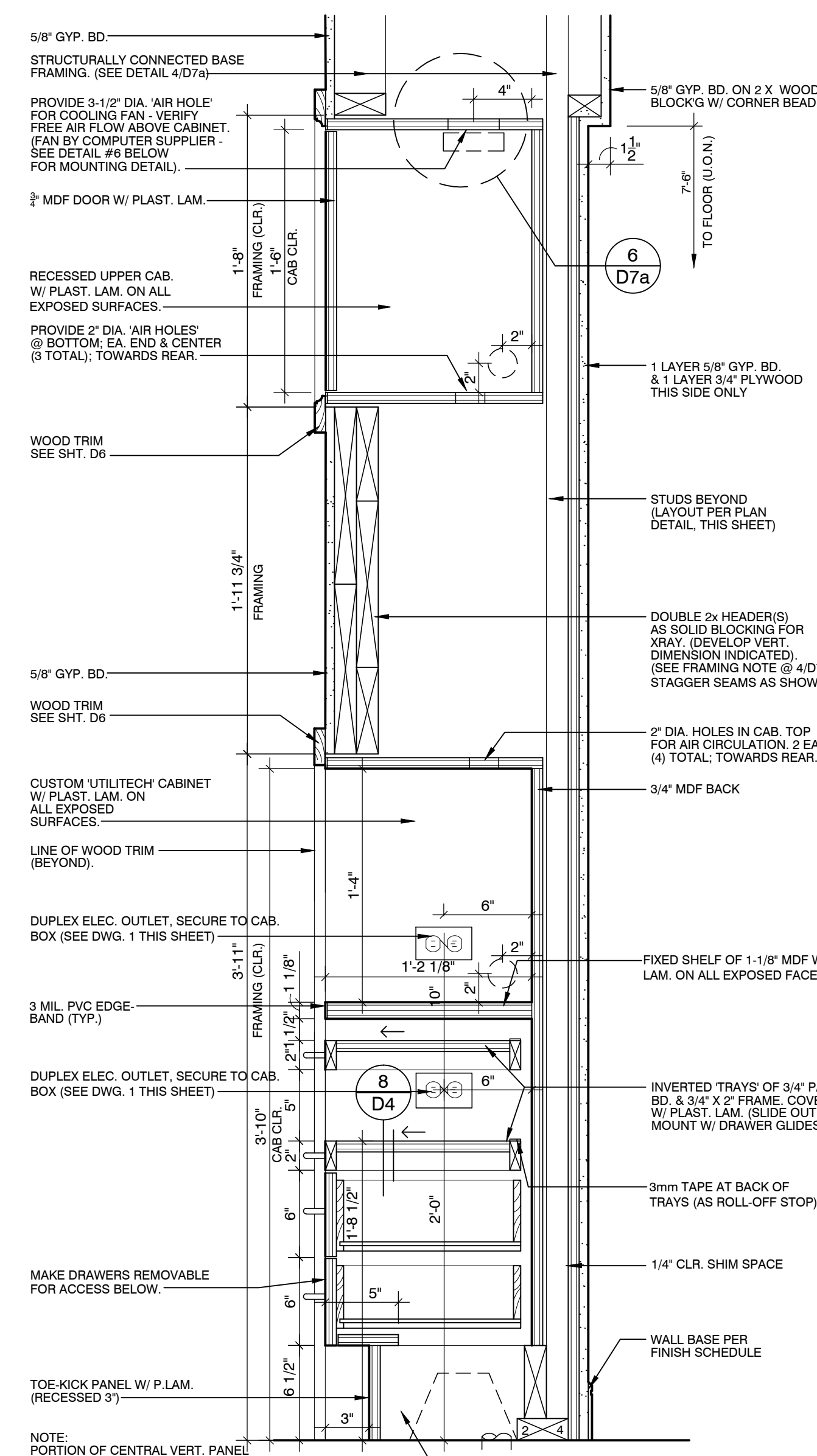
REVISIONS:
 20 Nov. 2020

D6

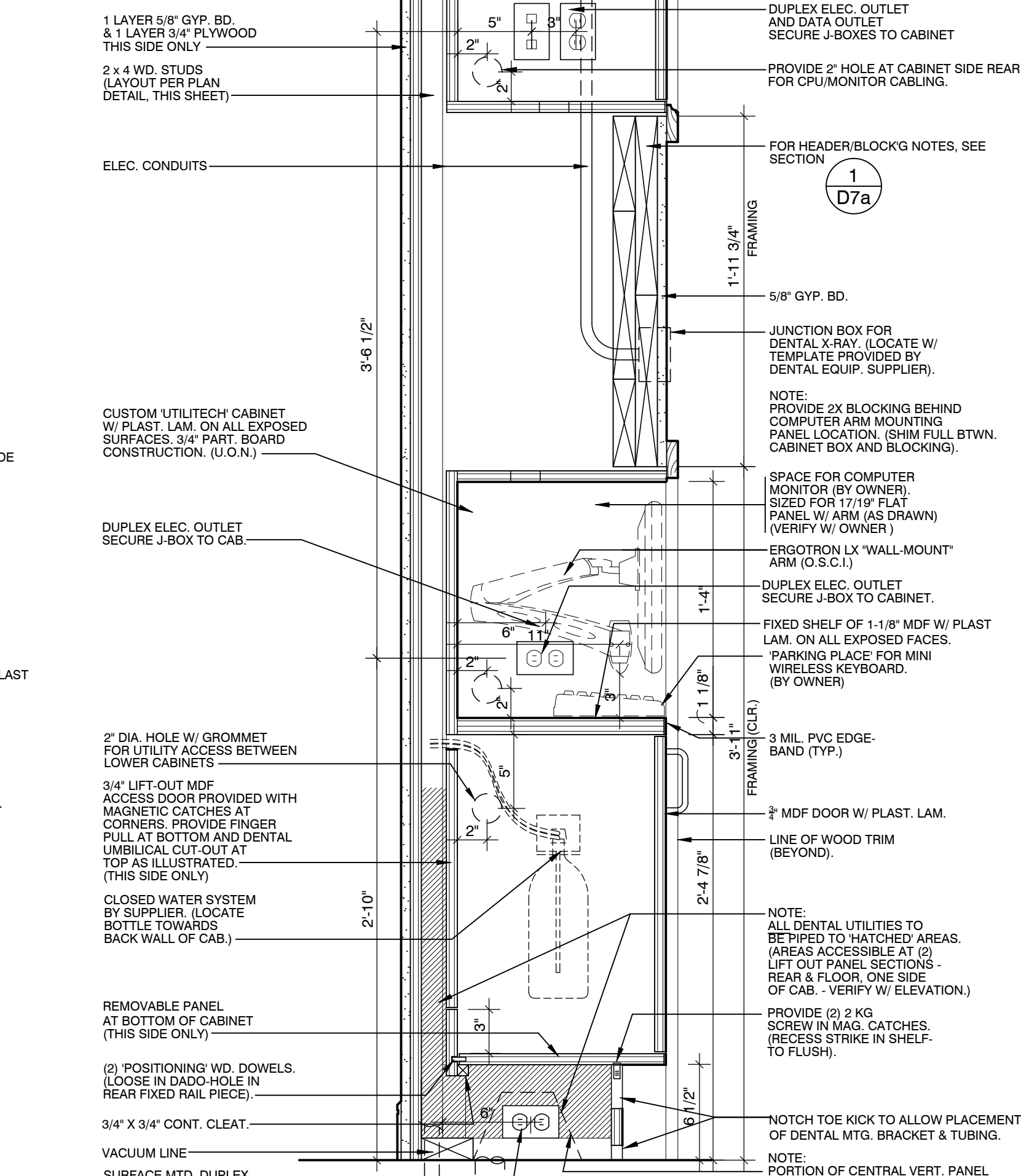
* DOOR, FRAME, & HARDWARE AS SPECIFIED BY BUILDING SHELL ARCHITECT.

Unthank Design Group hereby expressly reserves its common law copyright and other proprietary rights in these plans. These plans and drawings are not to be reproduced, changed or copied in any form or manner whatsoever without first obtaining the express written permission of Unthank Design Group, nor are they to be applied to any third party without first obtaining written permission and consent.

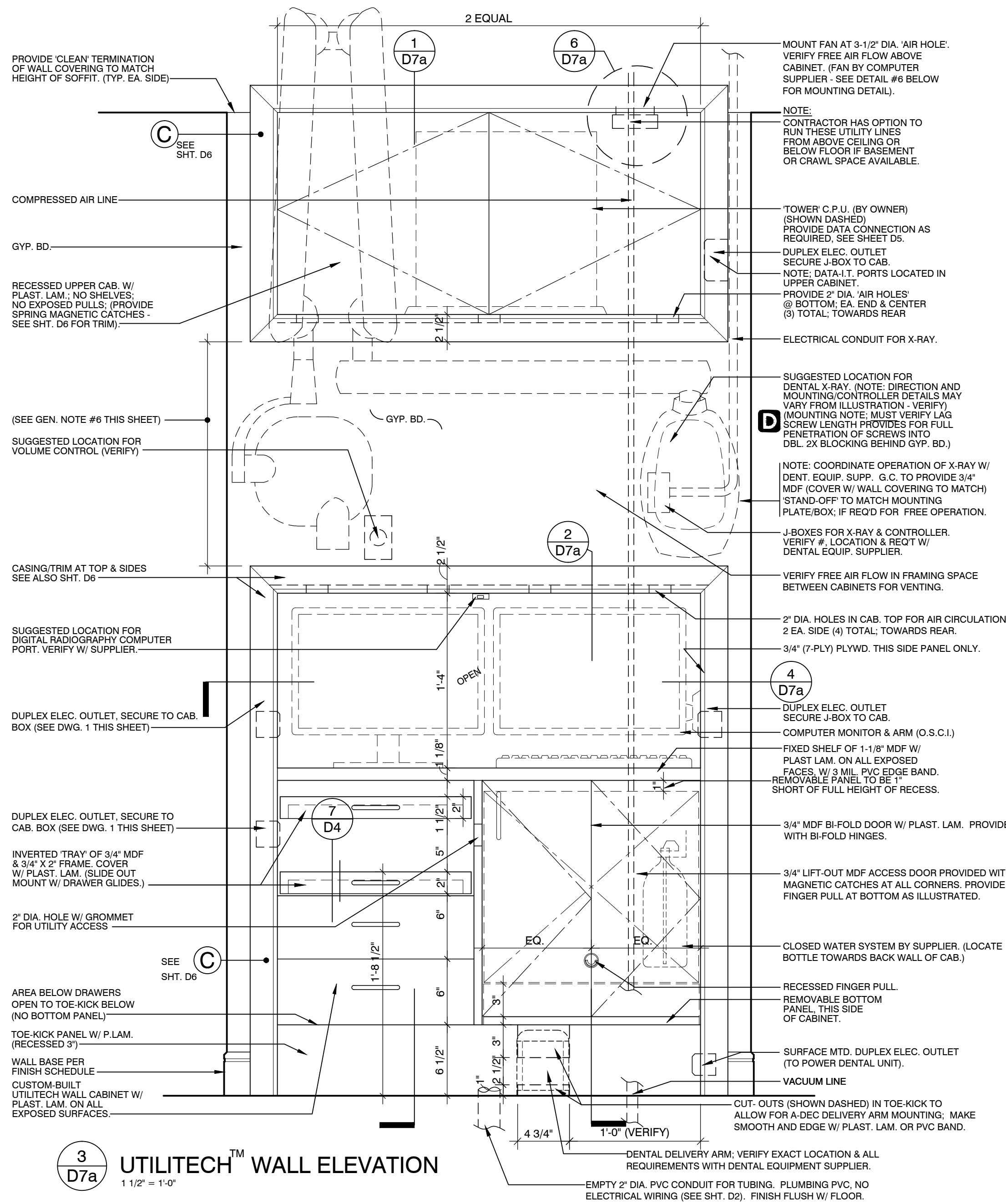
Unthink Design Group hereby expressly reserves its common law copyright and other property rights in these plans. These plans and drawings are not to be reproduced, changed or copied in any form or manner whatsoever without first obtaining the express written permission of Unthink Design Group, nor are they to be assigned to any third party without first obtaining written permission and consent.



1 UTILITECH™ WALL SECTION
1 1/2" = 1'-0"



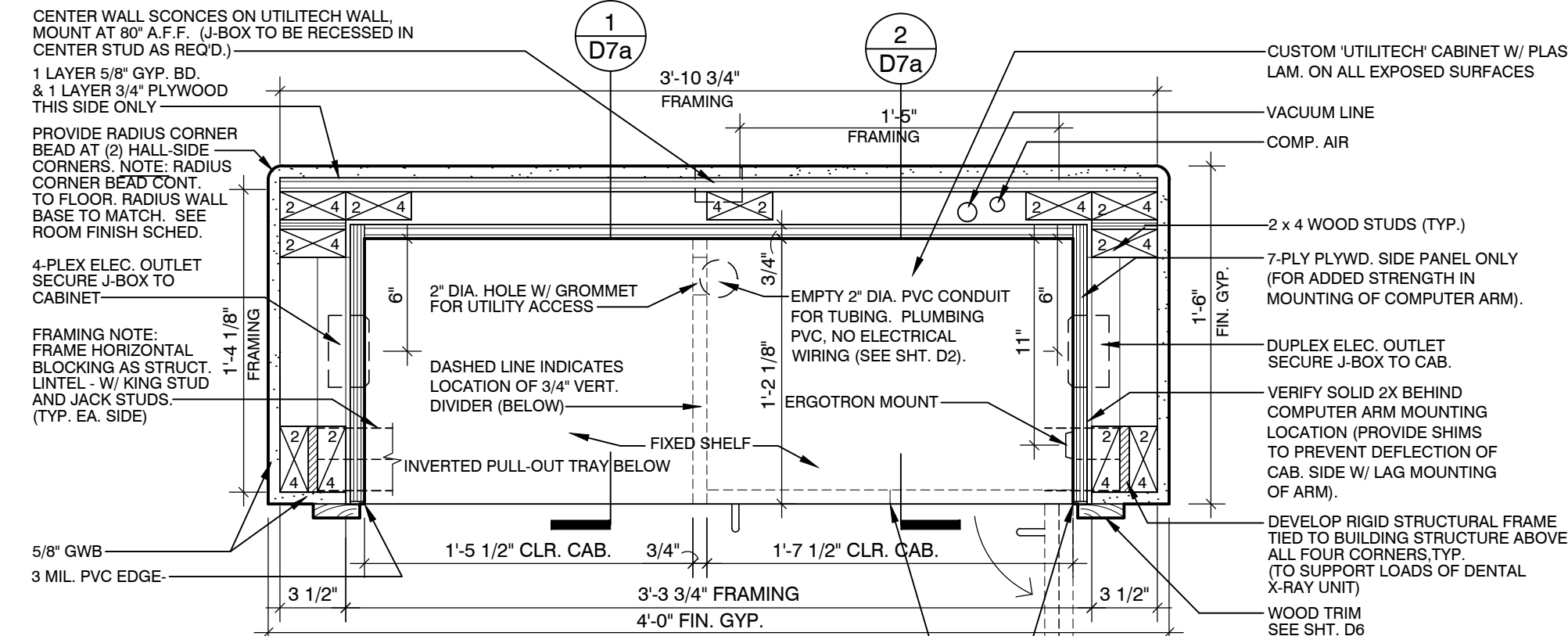
2 UTILITECH™ WALL SECTION
1 1/2" = 1'-0"



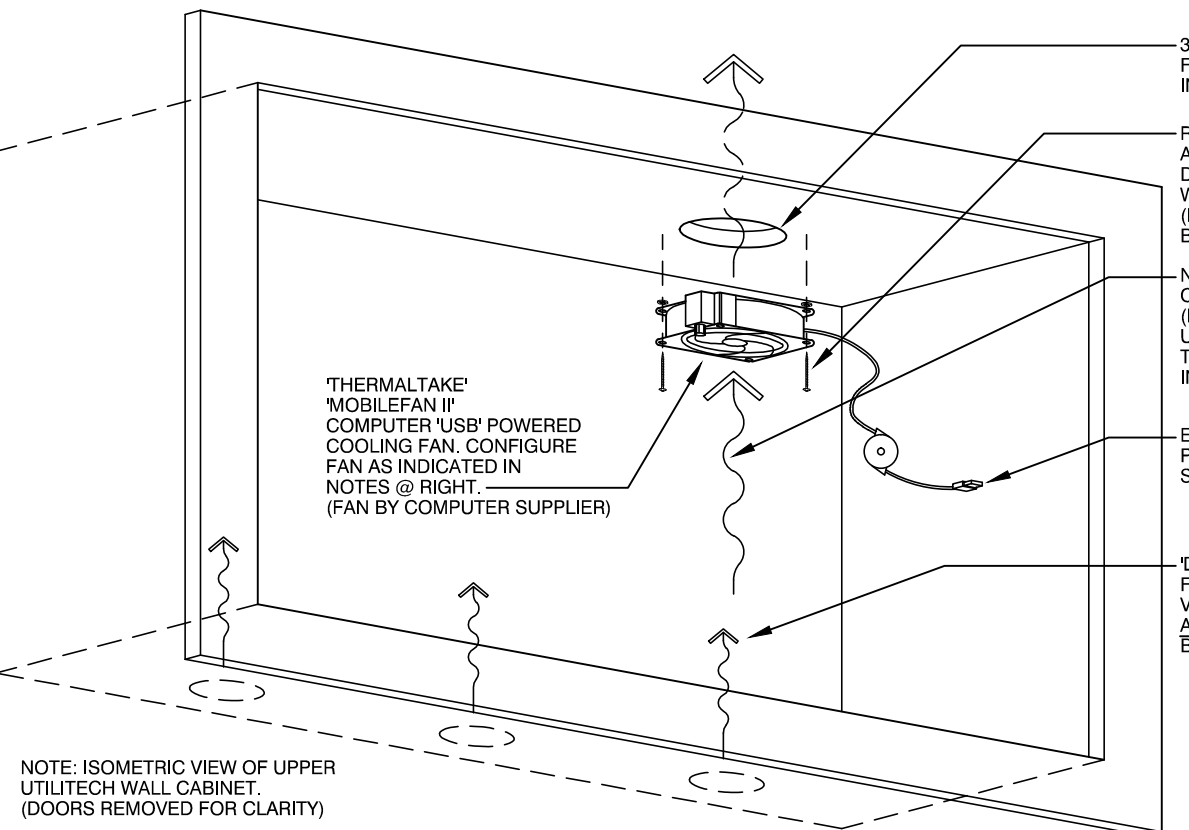
3 UTILITECH™ WALL ELEVATION
1 1/2" = 1'-0"

GENERAL NOTES: D

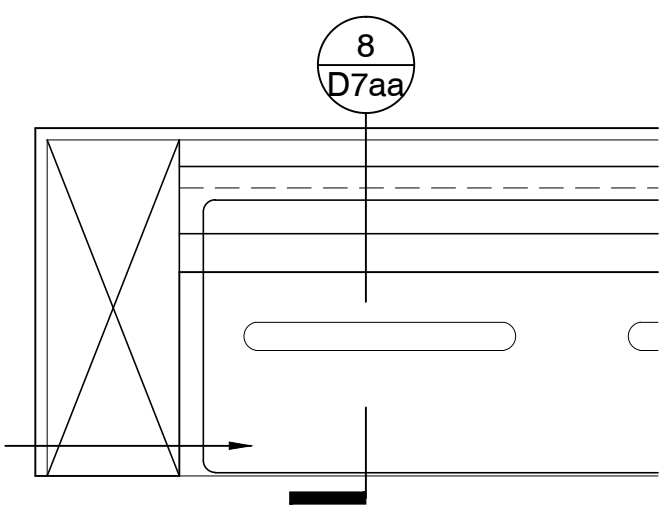
- USE OF THESE DRAWINGS IS RESTRICTED TO CONSTRUCTION OF CABINETS FOR PROJECT NAMED IN TITLE BLOCK ONLY. UTILITECH™ CABINETS ARE TO BE CONSTRUCTED AND PROVIDED BY GENERAL CONTRACTOR.
- (not used)
- (not used)
- (not used)
- GENERAL CONTRACTOR SHALL BE RESPONSIBLE FOR ALL INSTALLATION AND FINISH OF ALL WOOD TRIMS TO COMPLETE ASSEMBLY.
- LOCATION OF COMPONENTS IN CENTER GYP. BOARD PANEL (INCLUDING J-BOX LOCATIONS MUST BEGIN W/ FULL-SIZE TEMPLATE OF XRAY UNIT. (COORD. W/ OWNER - DENTAL EQUIP. SUPPLIER)
- REVIEW AND VERIFY ALL UTILITY REQUIREMENTS & CONDITIONS SHOWN HERE W/ DENTAL EQUIPMENT SUPPLIER PRIOR TO CONSTRUCTION.
- CONT. 1/4" SHIM SPACE ASSUMED AROUND CABINET INSERTS. (TYP.)
- ALL TRIM, CASING & BASE SHALL BE AS SPECIFIED, SEE SHT. D6 & ROOM FINISH SCHEDULE.
- ALL CABINETRY SHALL BE COVERED WITH PLASTIC LAMINATE (SEE ROOM FINISH SCHEDULE).
- LEADING 3/4" EDGE OF CABINET BOXES TO BE FINISHED W/ 3 MIL PVC SEE ROOM FINISH SCHEDULE FOR COLOR SELECTION.
- GENERAL CONTRACTOR TO VERIFY & PROVIDE ANY REQUIRED RATING FOR WOOD FRAMING



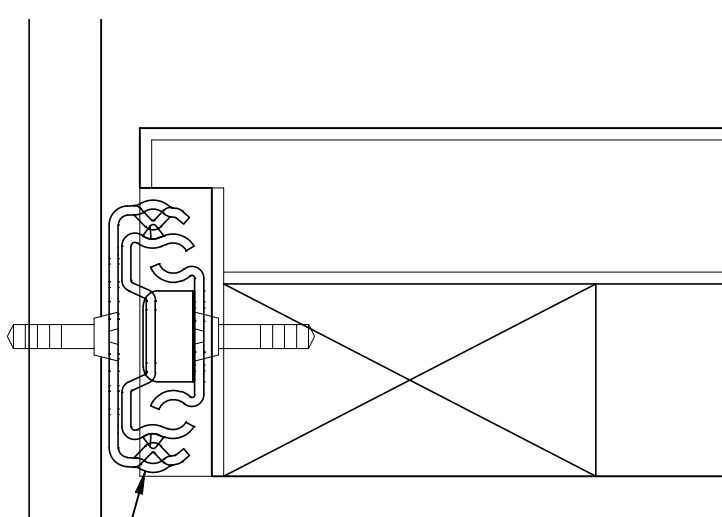
4 UTILITECH™ WALL PLAN
1 1/2" = 1'-0"



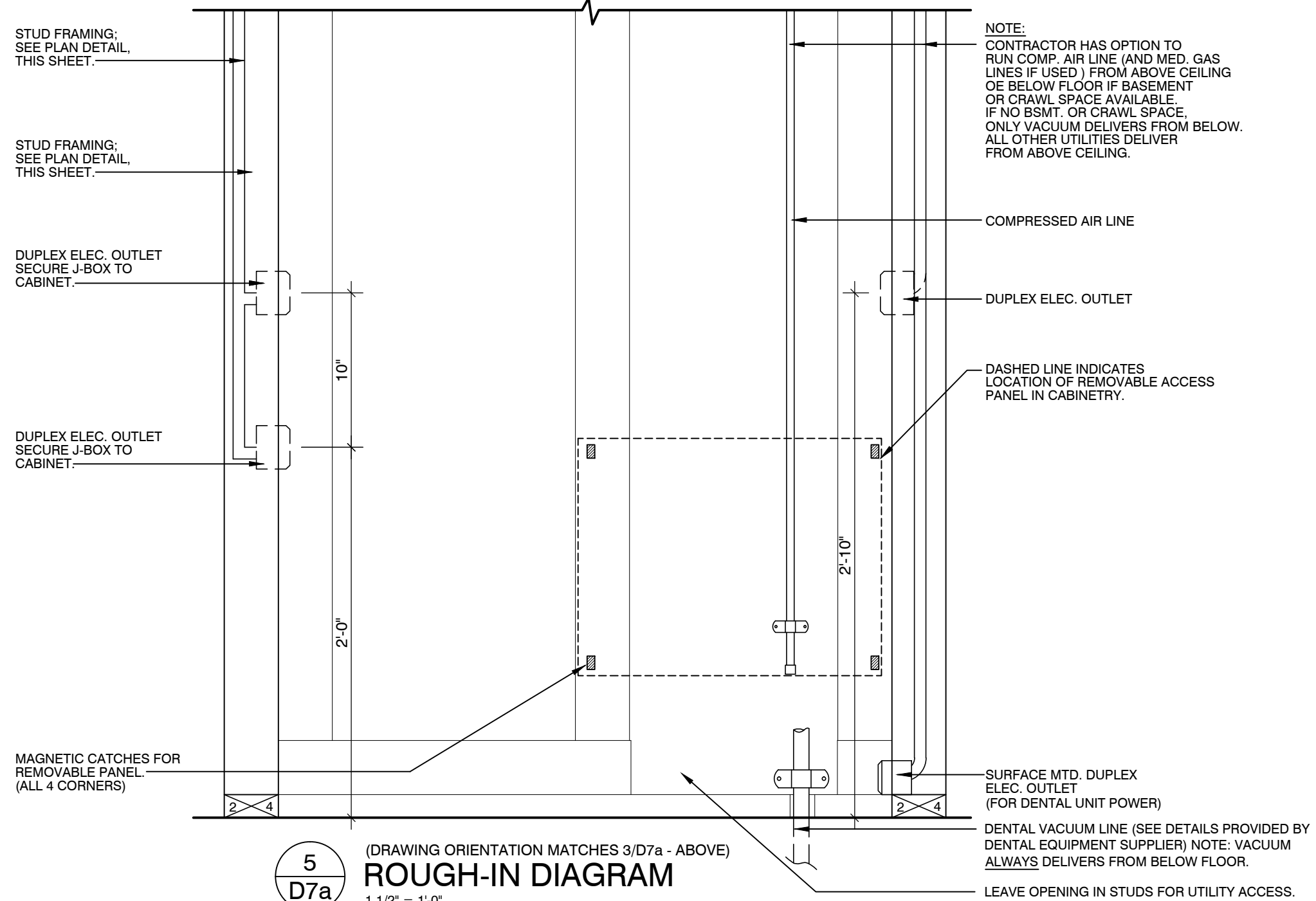
6 COOLING FAN DETAIL
NO SCALE



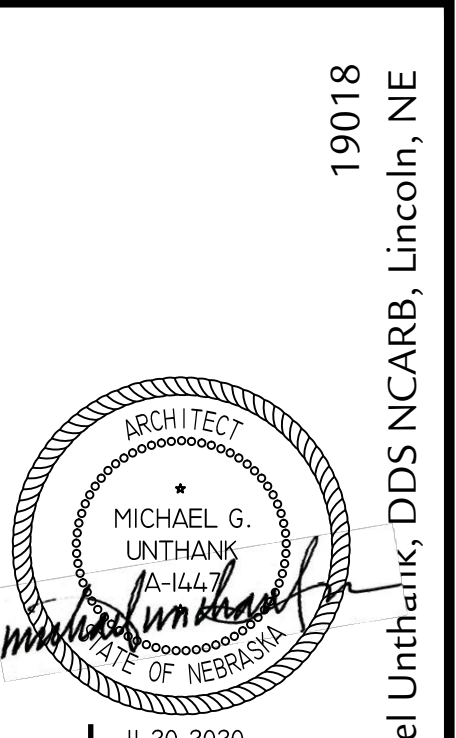
7 DETAIL
FULL SCALE



8 DETAIL
FULL SCALE



5 ROUGH-IN DIAGRAM
1 1/2" = 1'-0"

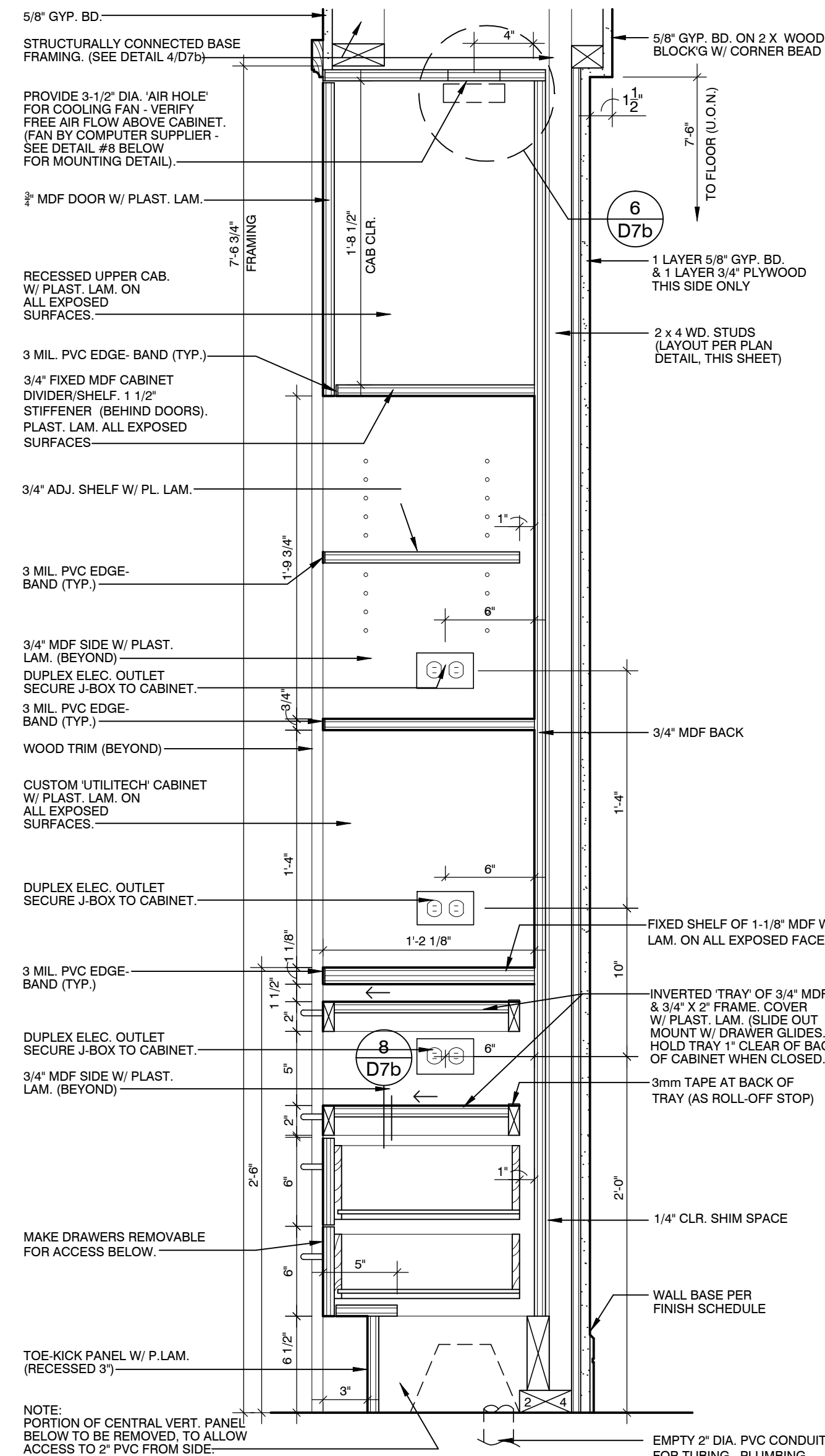


NEW OFFICE FOR PRAIRIE MEADOWS DENTAL KEARNEY, NEBRASKA
 Date: November 20, 2020
 Copyrighted drawings. All unauthorized use & reproduction is strictly prohibited. Copyright © 2020 Michael Unthink, DDS NCARB, Lincoln, NE

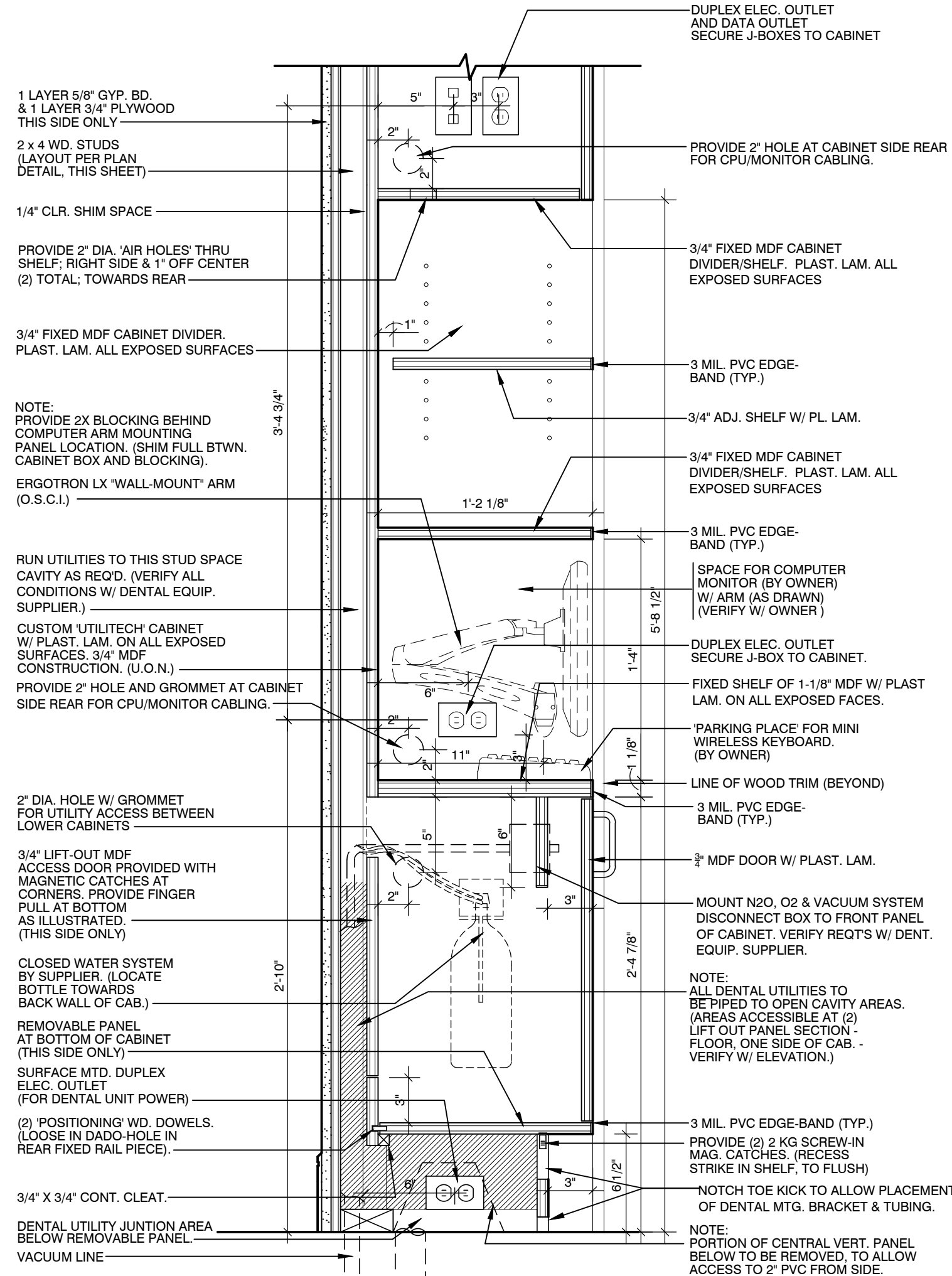
REVISIONS:
 20 Nov. 2020

D7a

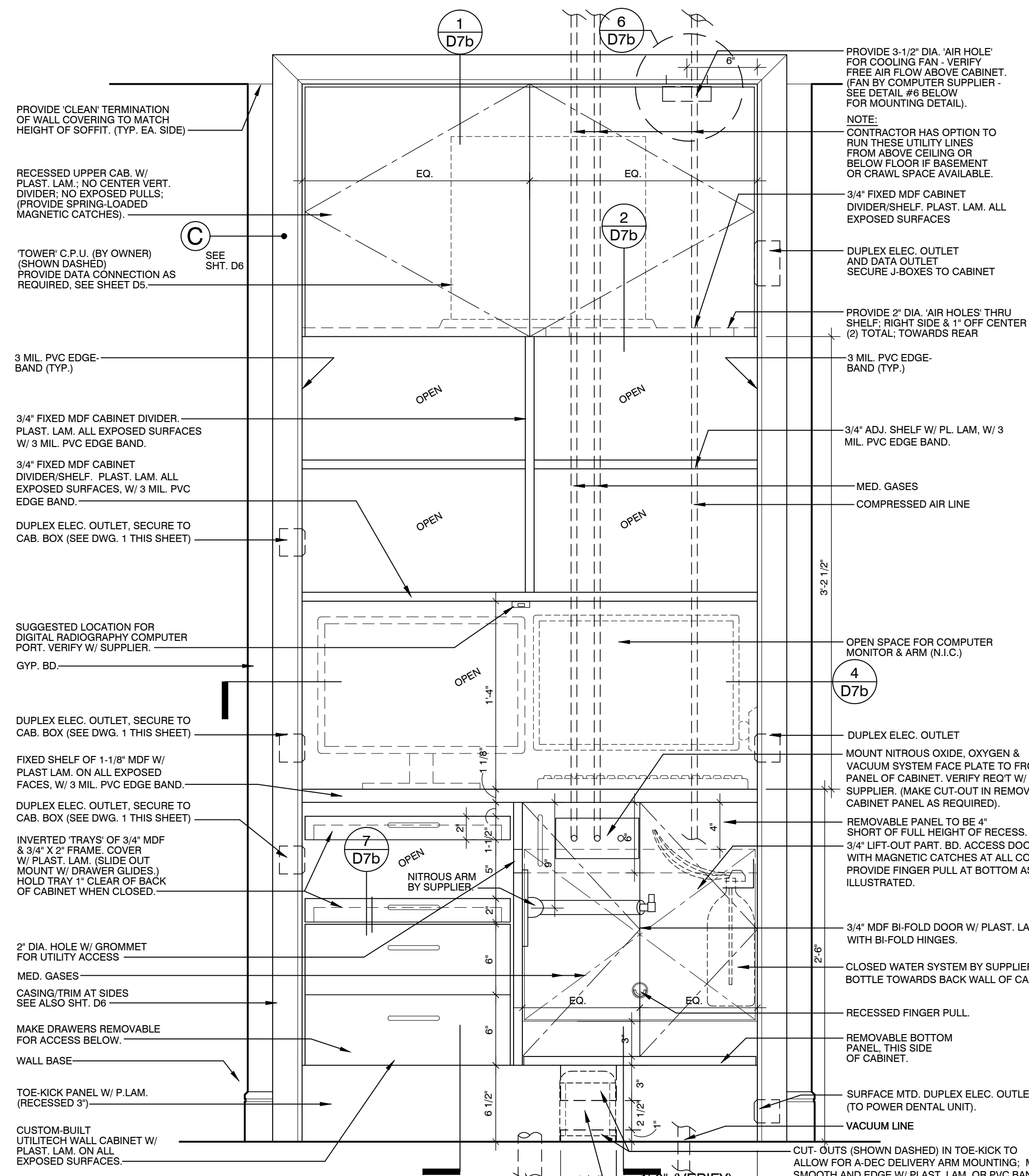
Unthink Design Group hereby expressly reserves its common law copyright and other property rights in these plans. These plans and drawings are not to be reproduced, changed or copied in any form or manner whatsoever without the express written permission of Unthink Design Group, nor are they to be assigned to any third party without first obtaining written permission and consent.



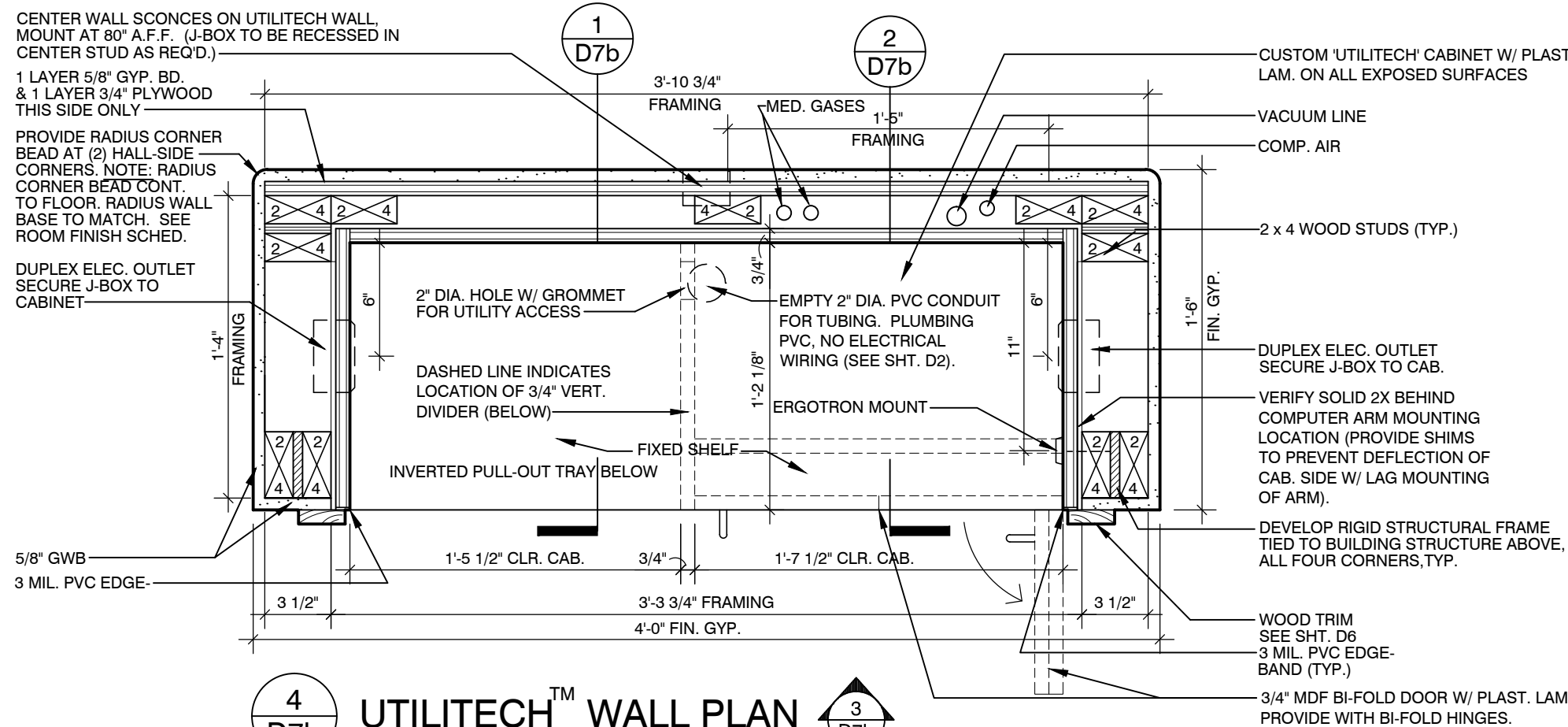
1 UTILITECH™ WALL SECTION
1 1/2" = 1'-0"



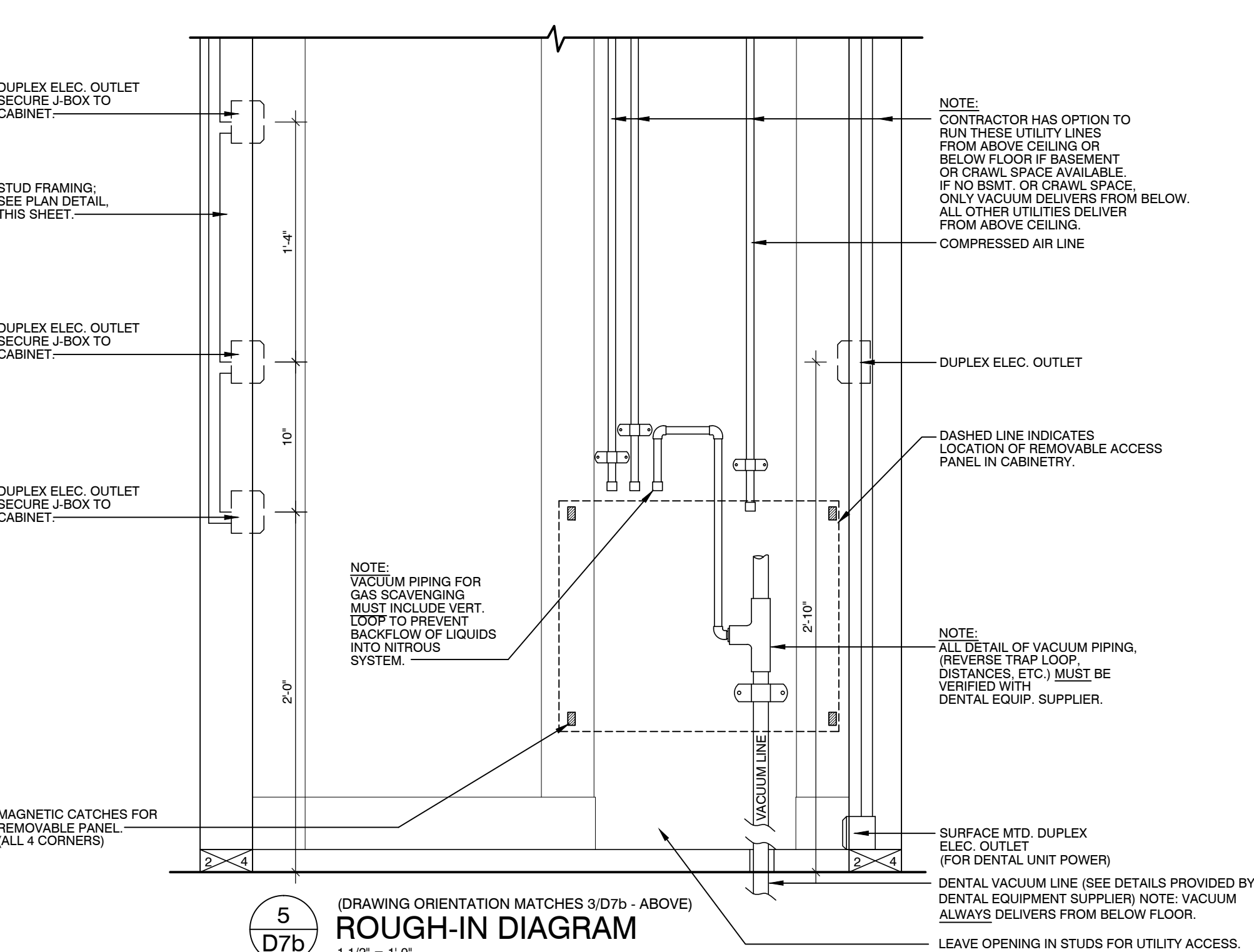
2 UTILITECH™ WALL SECTION
1 1/2" = 1'-0"



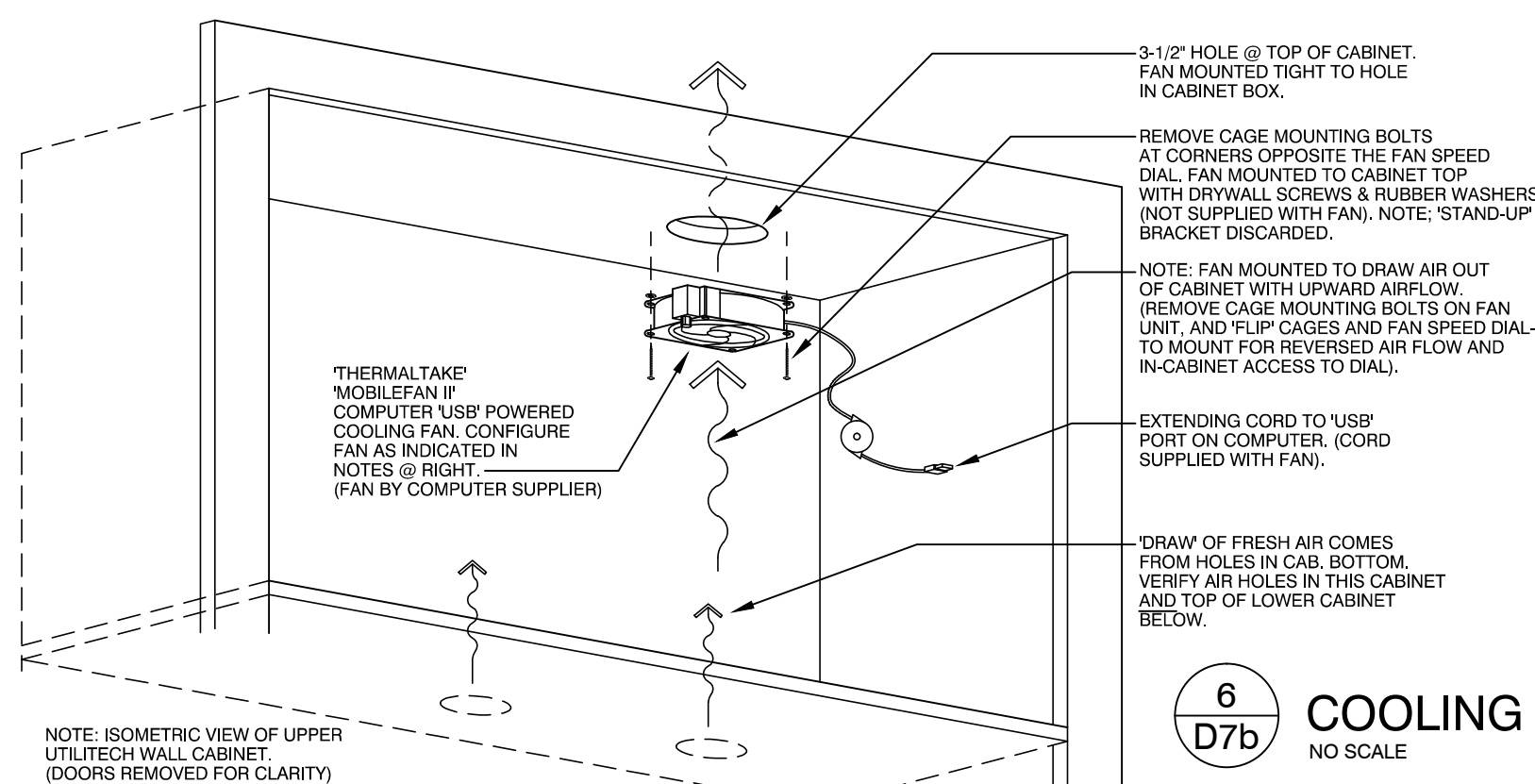
3 UTILITECH™ WALL ELEVATION
1 1/2" = 1'-0"



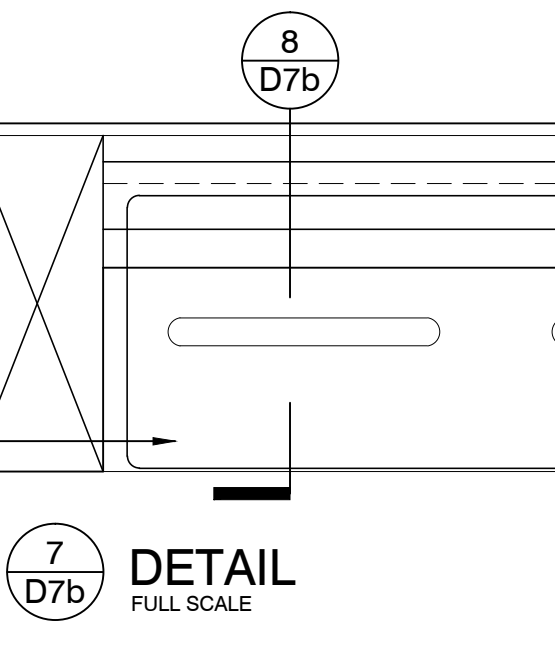
4 UTILITECH™ WALL PLAN
1 1/2" = 1'-0"



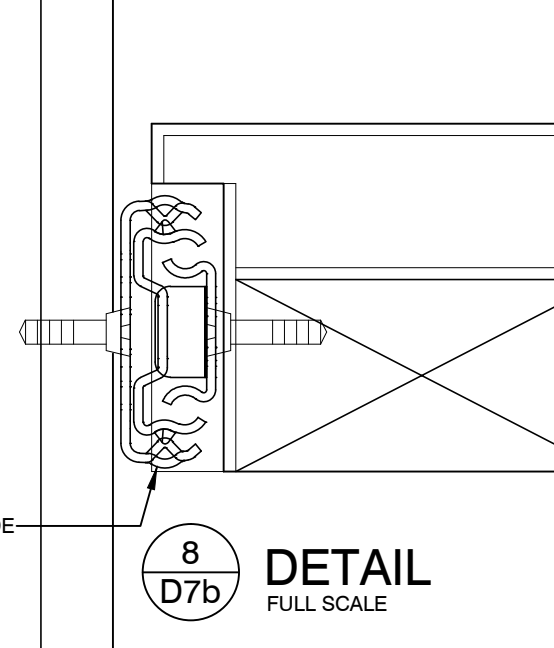
5 (DRAWING ORIENTATION MATCHES 3/D7b - ABOVE) ROUGH-IN DIAGRAM
1 1/2" = 1'-0"



6 COOLING FAN DETAIL
NO SCALE



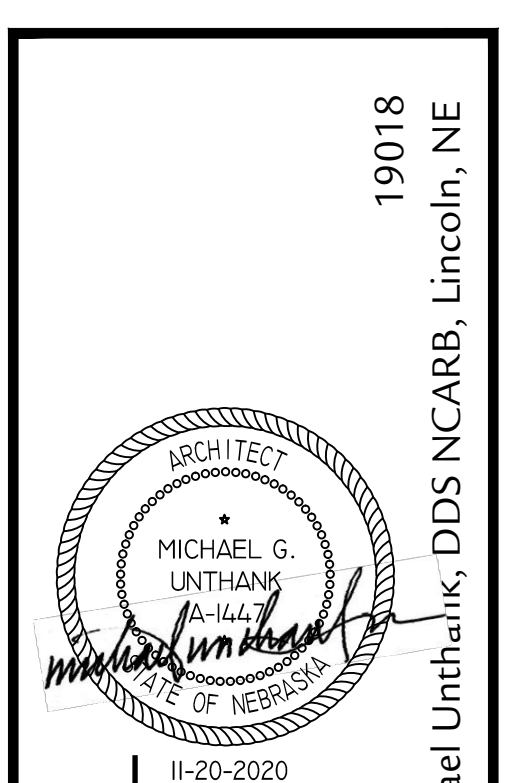
7 DETAIL
FULL SCALE



8 DETAIL
FULL SCALE

GENERAL NOTES: D

- USE OF THESE DRAWINGS IS RESTRICTED TO CONSTRUCTION OF CABINETS FOR PROJECT NAMED IN TITLE BLOCK ONLY. UTILITECH™ CABINETS ARE TO BE CONSTRUCTED AND PROVIDED BY GENERAL CONTRACTOR.
- (not used)
- (not used)
- (not used)
- GENERAL CONTRACTOR SHALL BE RESPONSIBLE FOR ALL CABINET INSTALLATION & INSTALLATION AND FINISH OF ALL WOOD TRIMS TO COMPLETE ASSEMBLY.
- GENERAL CONTRACTOR TO VERIFY & PROVIDE ANY REQUIRED RATING FOR WOOD FRAMING
- REVIEW AND VERIFY ALL UTILITY REQUIREMENTS & CONDITIONS SHOWN HERE W/ DENTAL EQUIPMENT SUPPLIER PRIOR TO CONSTRUCTION.
- CONT. 1/4" SHIM SPACE ASSUMED AROUND CABINET INSERTS. (TYP.)
- ALL TRIM, CASING & BASE SHALL BE AS SPECIFIED, SEE SHT. D6 & ROOM FINISH SCHEDULE.
- ALL CABINETRY SHALL BE COVERED WITH PLASTIC LAMINATE (SEE ROOM FINISH SCHEDULE).
- LEADING 3/4" EDGE OF CABINET BOXES AND DOOR/DRAWER EDGES TO BE FINISHED W/RADIUSED & POLISHED 3 MIL. PVC SEE ROOM FINISH SCHEDULE FOR COLOR SELECTION.

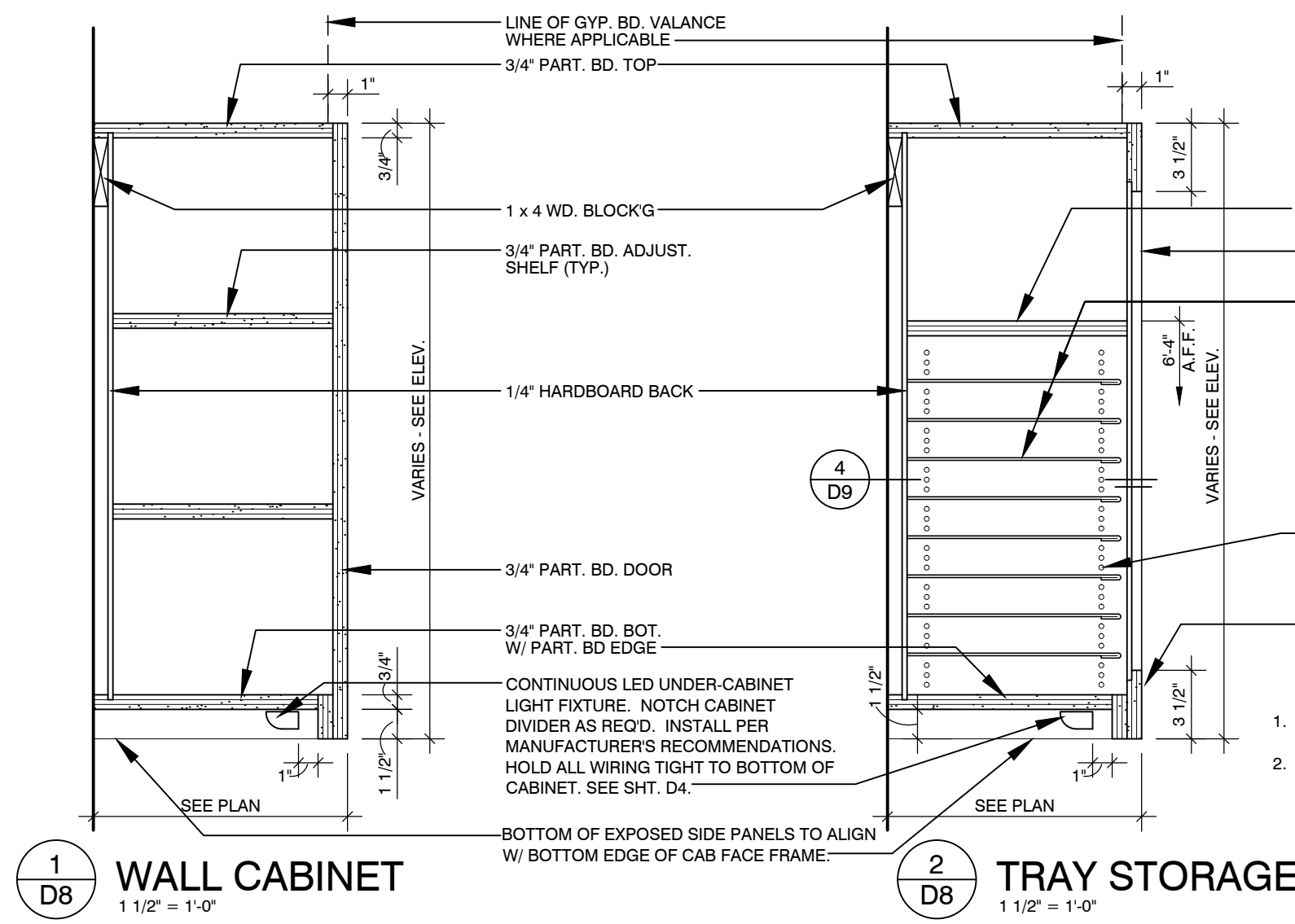


NEW OFFICE FOR PRAIRIE MEADOWS DENTAL KEARNEY, NEBRASKA
 Date: November 20, 2020
 Copyrighted drawings. All unauthorized use & reproduction is strictly prohibited. Copyright © 2020 Michael Unthink, DDS NCARB, Lincoln, NE

REVISIONS:
 20 Nov. 2020

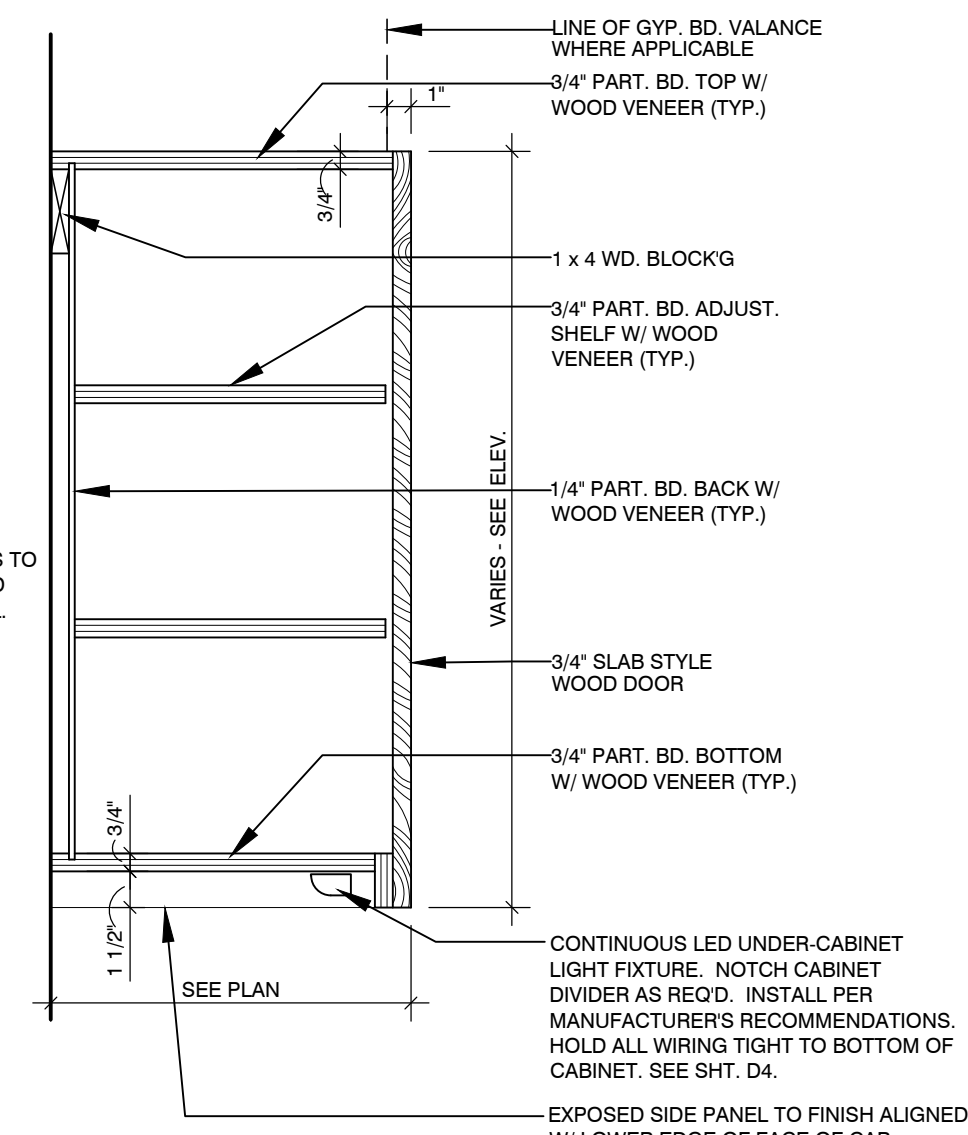
D7b

Unthank Design Group hereby expressly reserves its common law copyright and other property rights in these plans. These plans and drawings are not to be reproduced, changed or copied in any form or manner whatsoever without first obtaining the express written permission of Unthank Design Group, nor are they to be assigned to any third party without first obtaining written permission and consent.

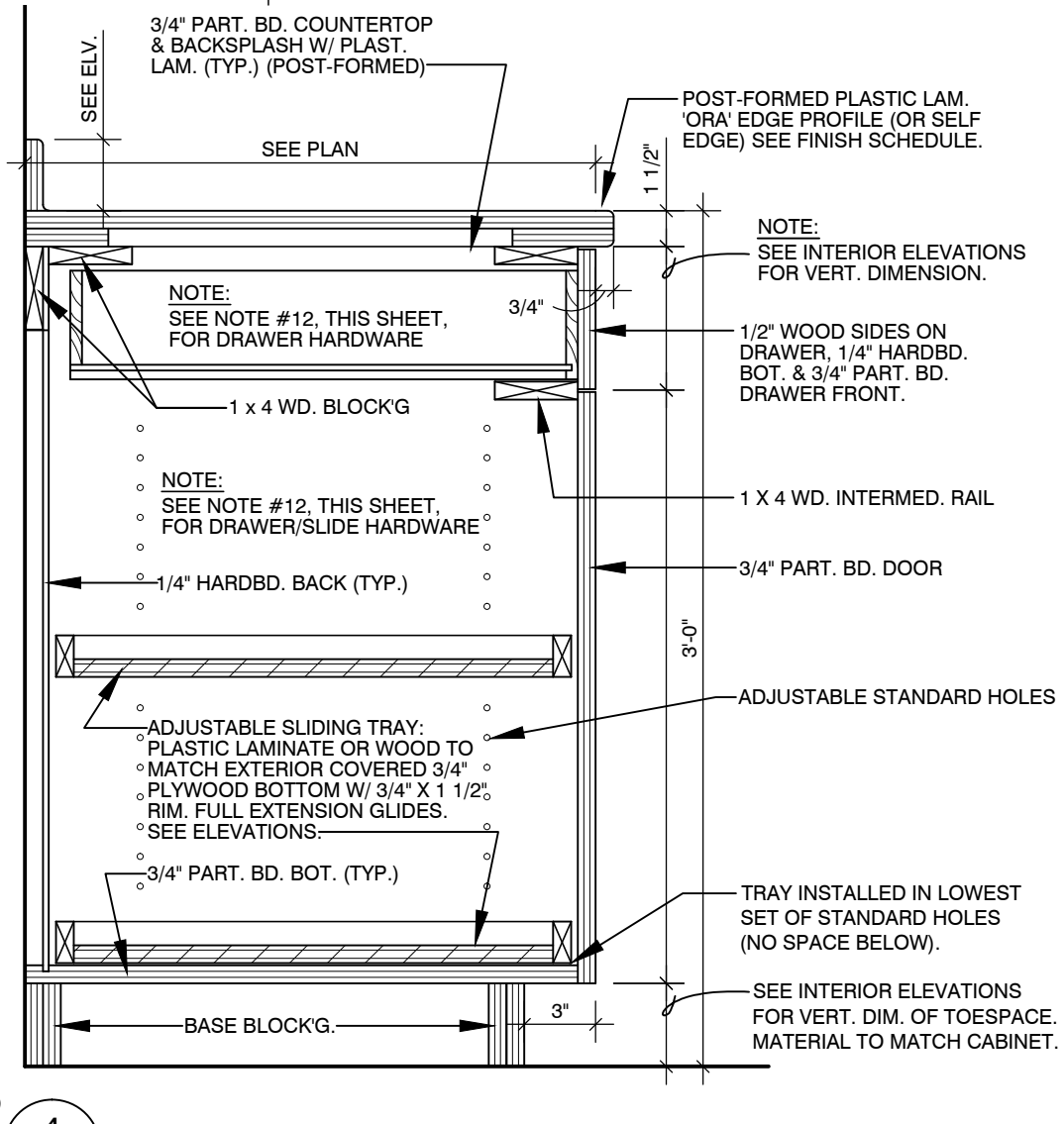


1
D8
WALL CABINET
1 1/2" = 1'-0"

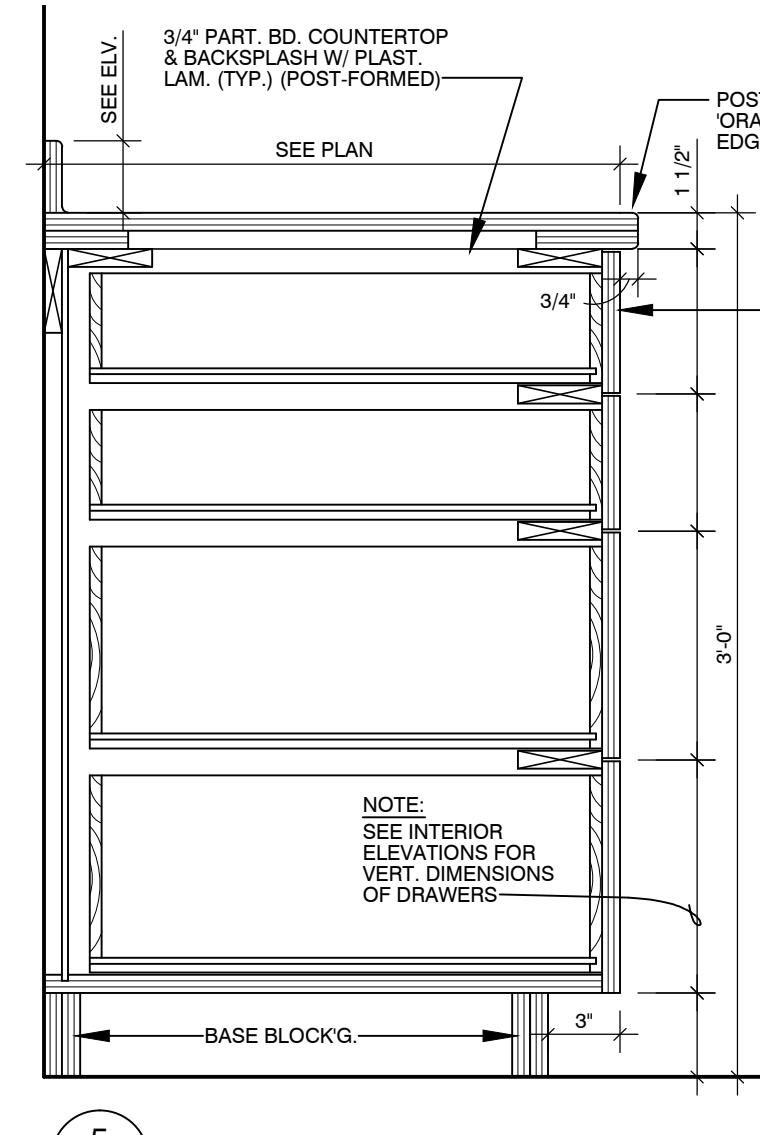
2
D8
TRAY STORAGE
1 1/2" = 1'-0"



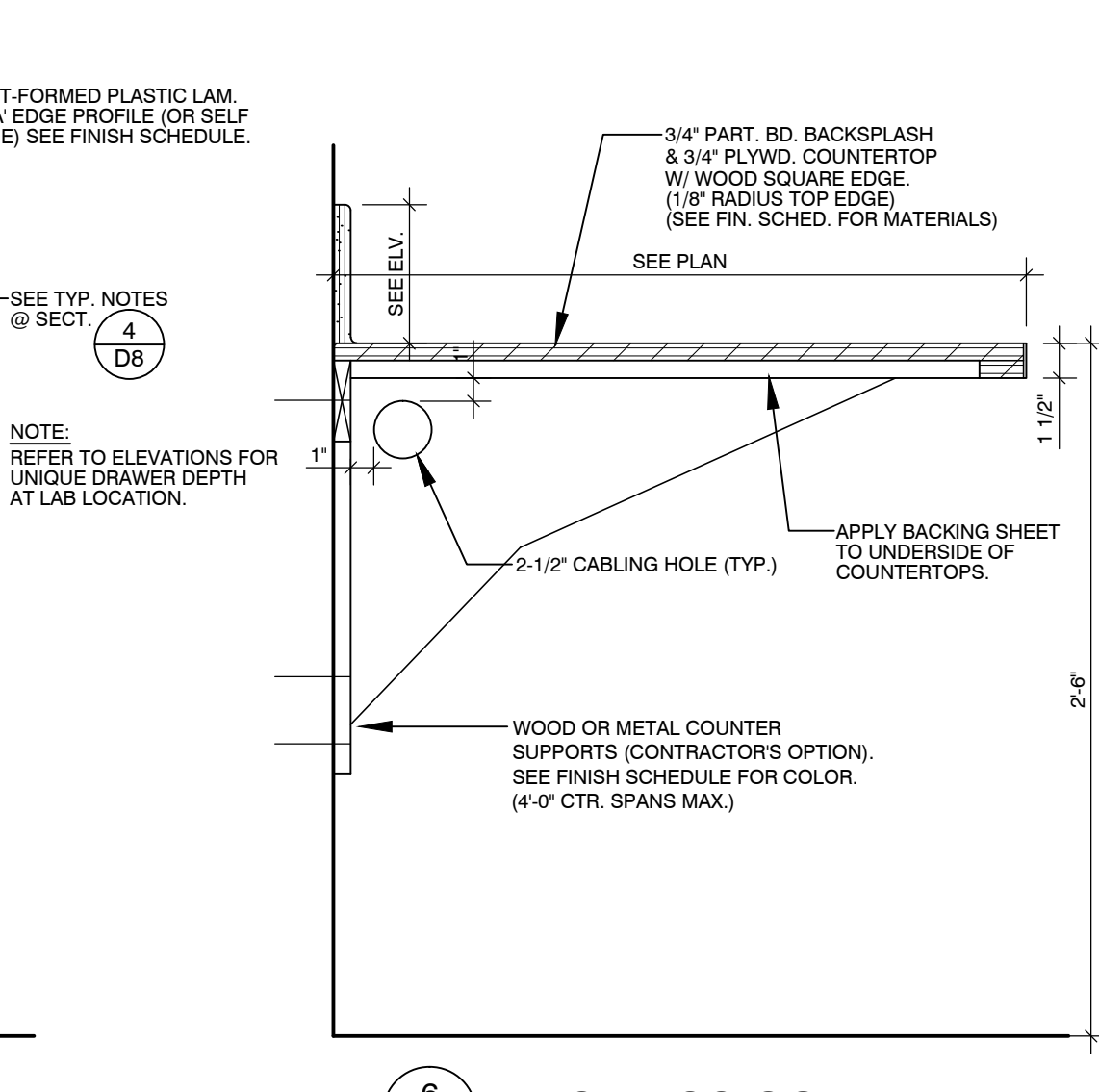
3
D8
SLAB STYLE WOOD WALL CABINET
1 1/2" = 1'-0"



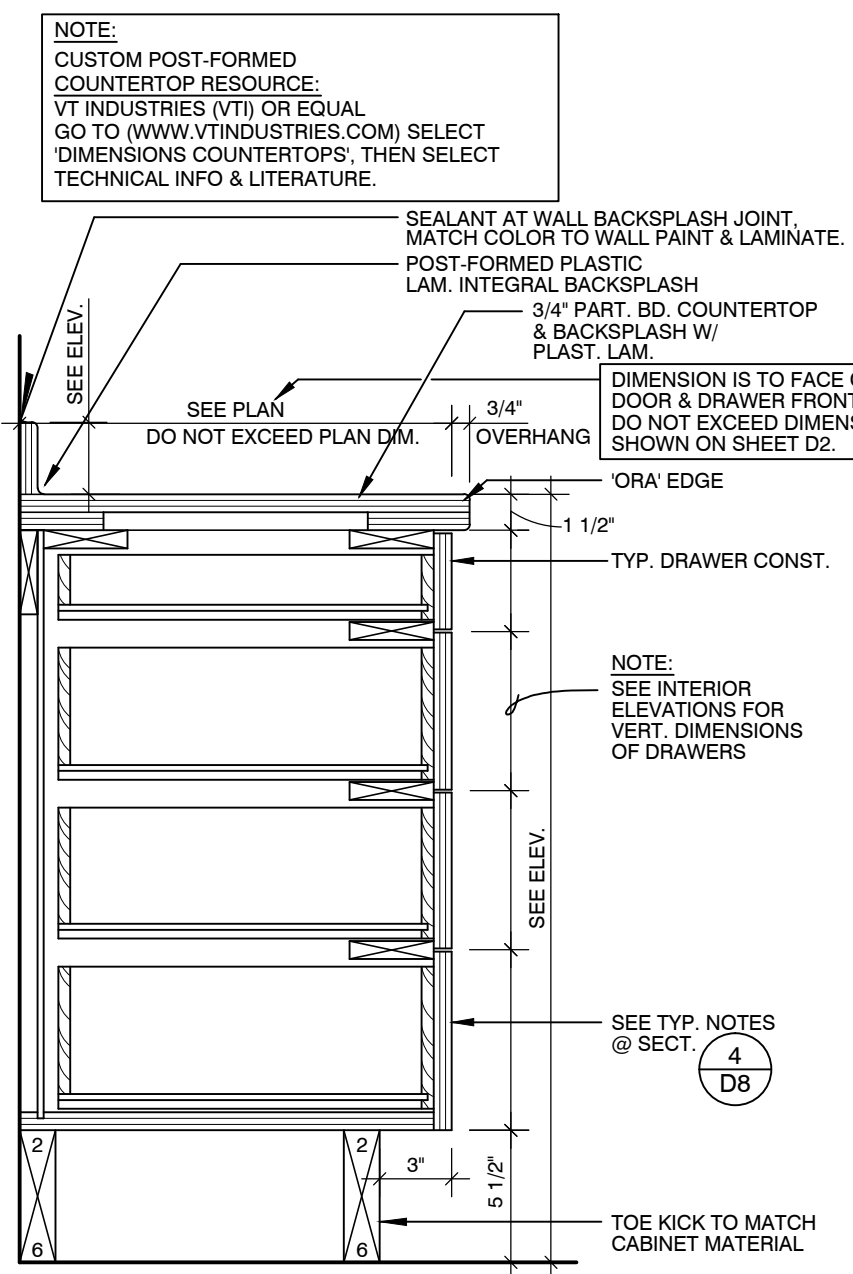
4
D8
TYP. BASE CABINET
1 1/2" = 1'-0"



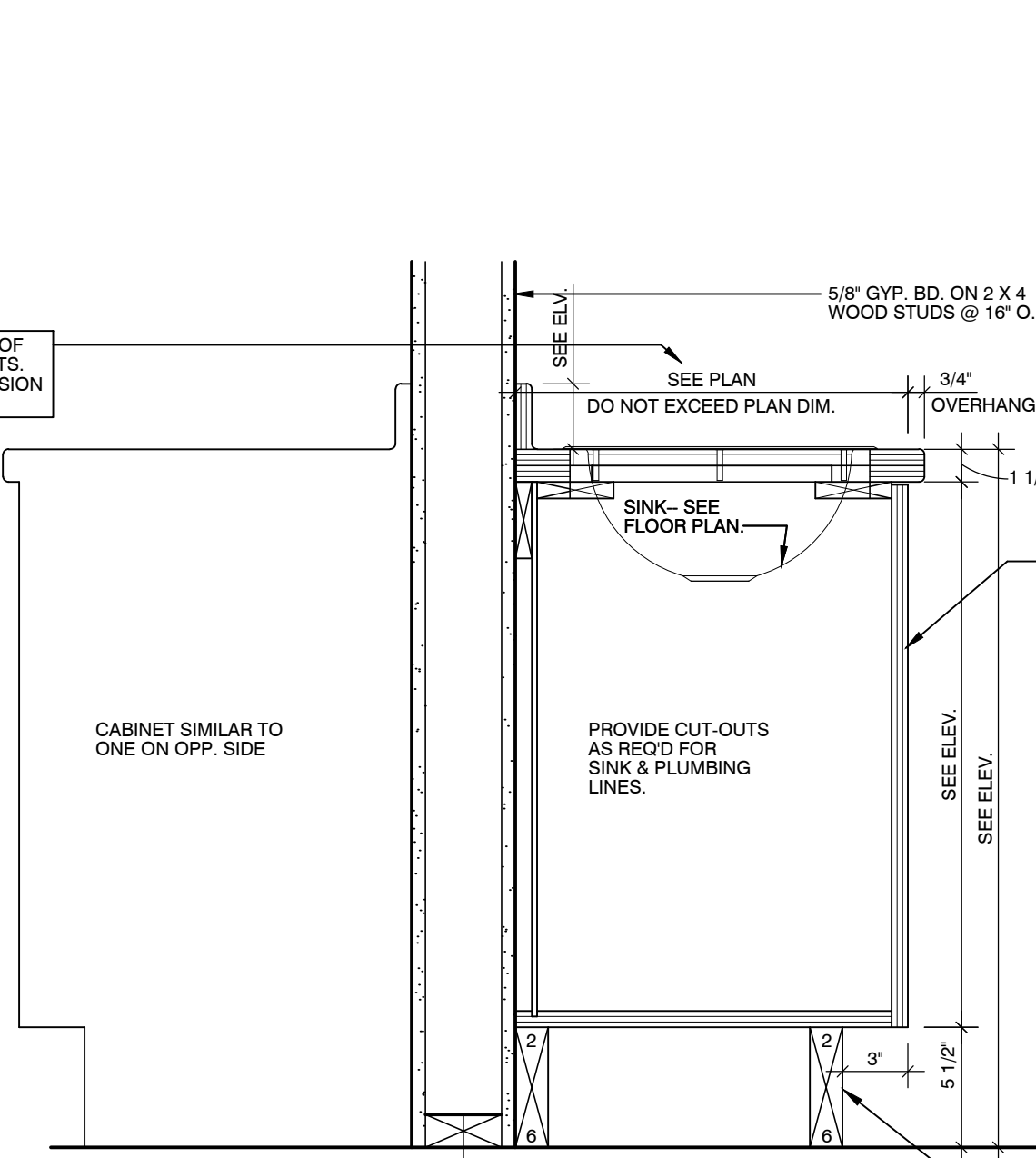
5
D8
TYP. DRAWER STACK
1 1/2" = 1'-0"



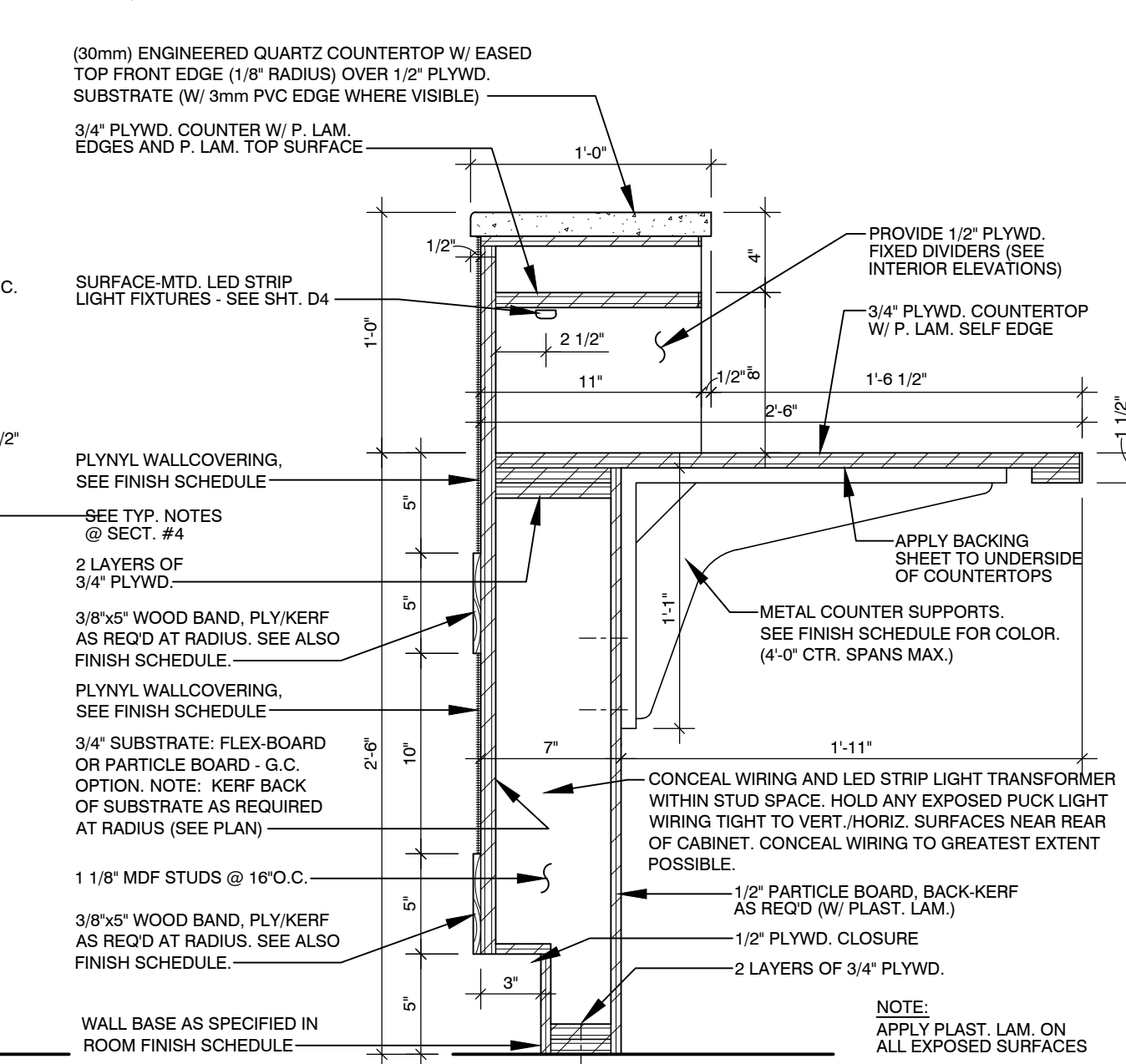
6
D8
BUSINESS COUNTER
1 1/2" = 1'-0"



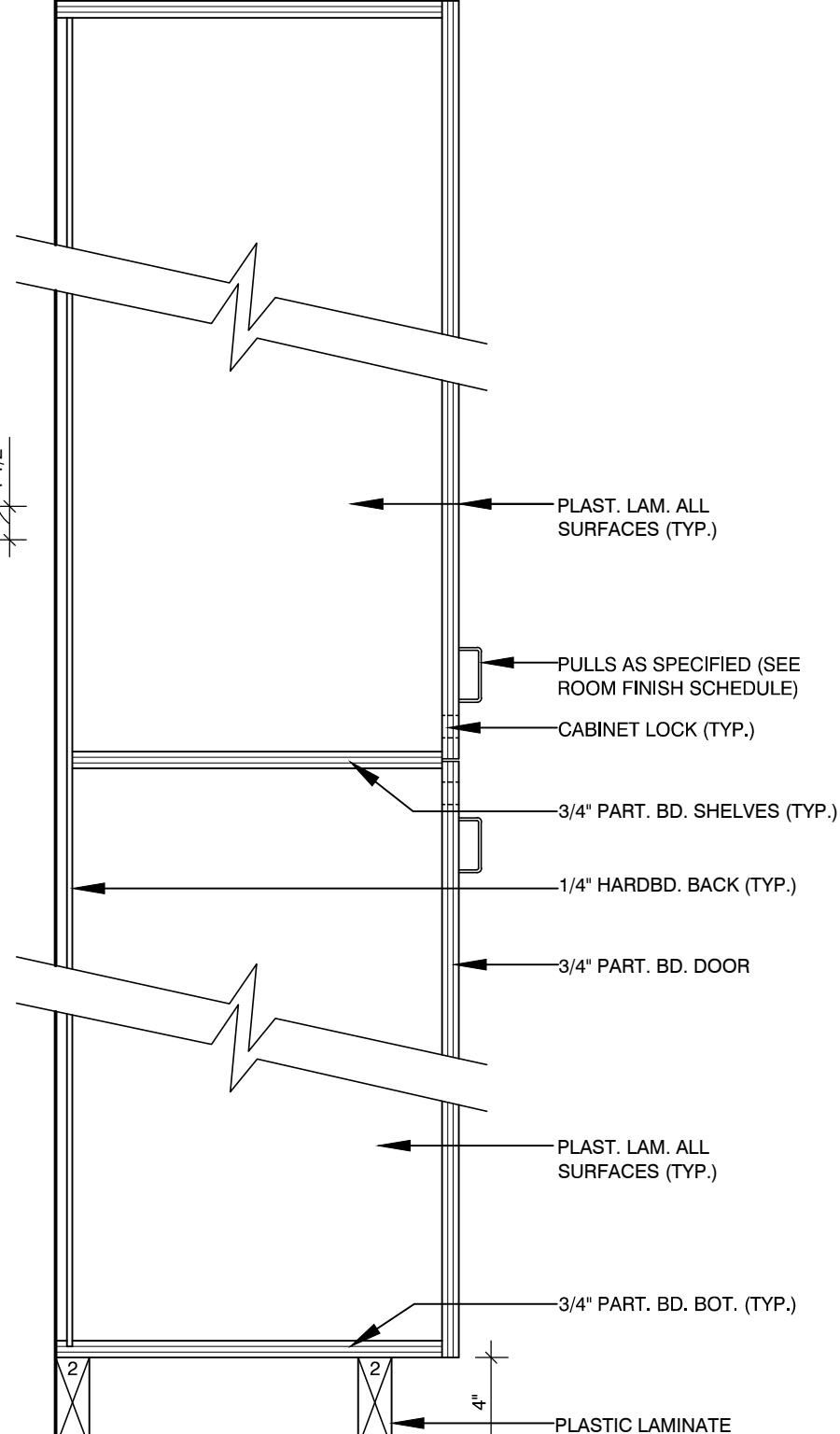
7
D8
TRTMT. ROOM SIDE COUNTER
1 1/2" = 1'-0"



8
D8
TRTMT. ROOM SIDE COUNTERS
1 1/2" = 1'-0"



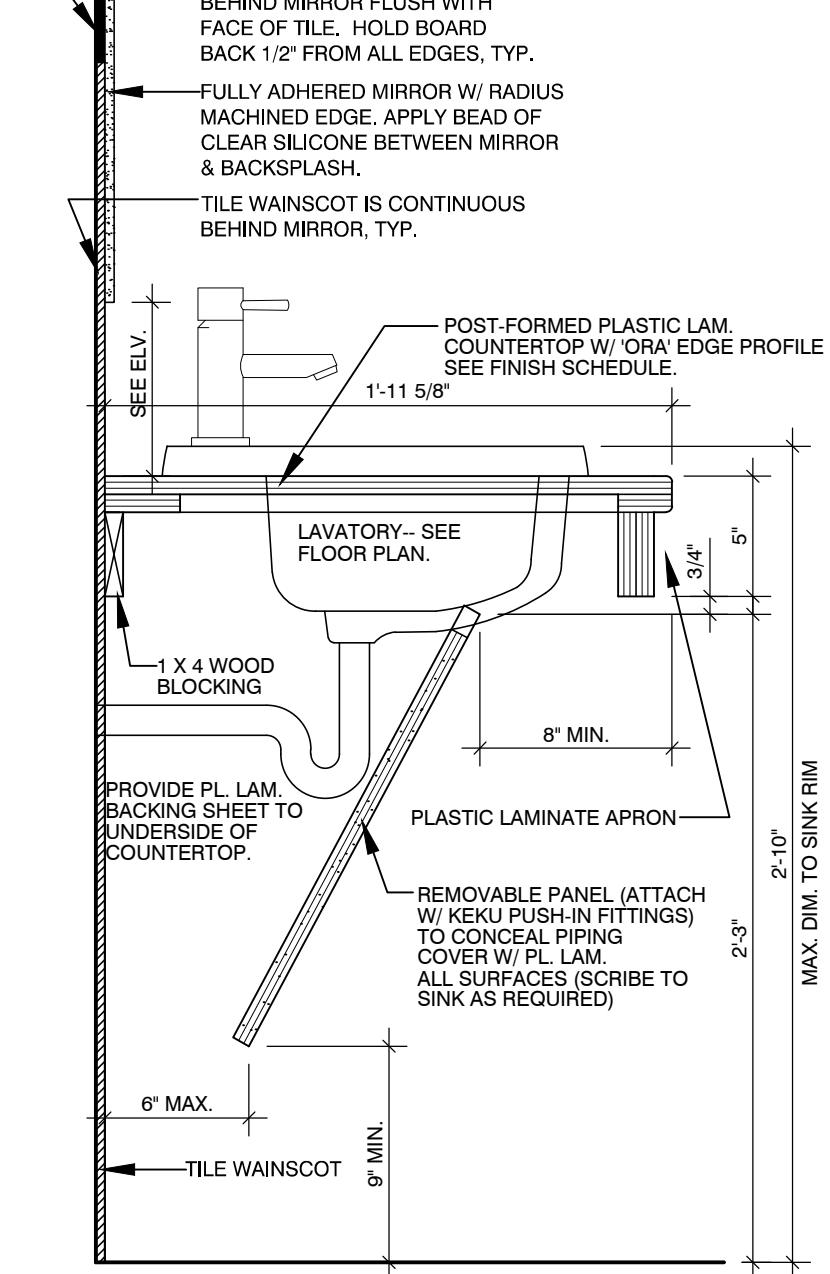
9
D8
CONTROL COUNTER
1 1/2" = 1'-0"



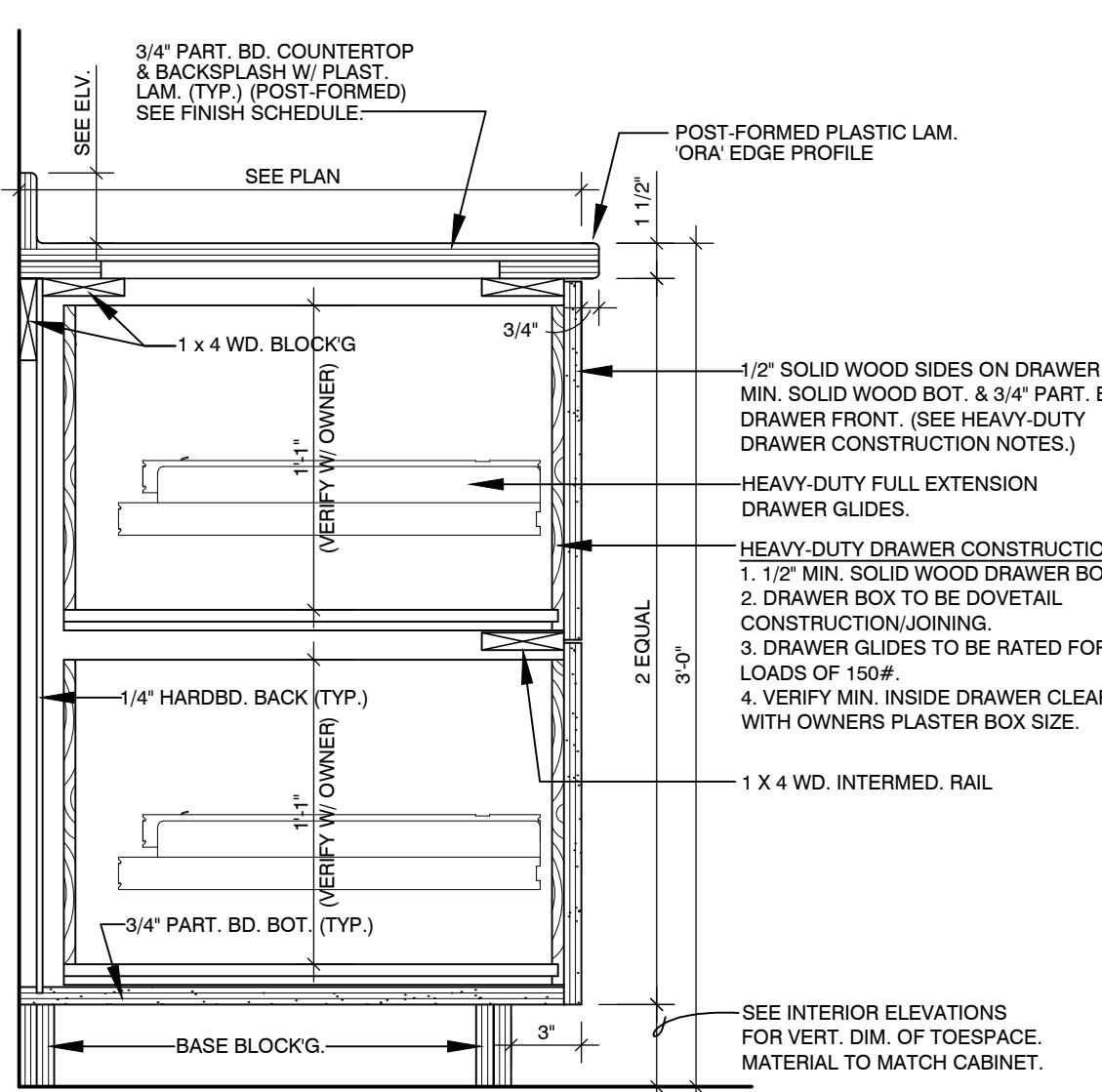
10
D8
LOCKERS
1 1/2" = 1'-0"



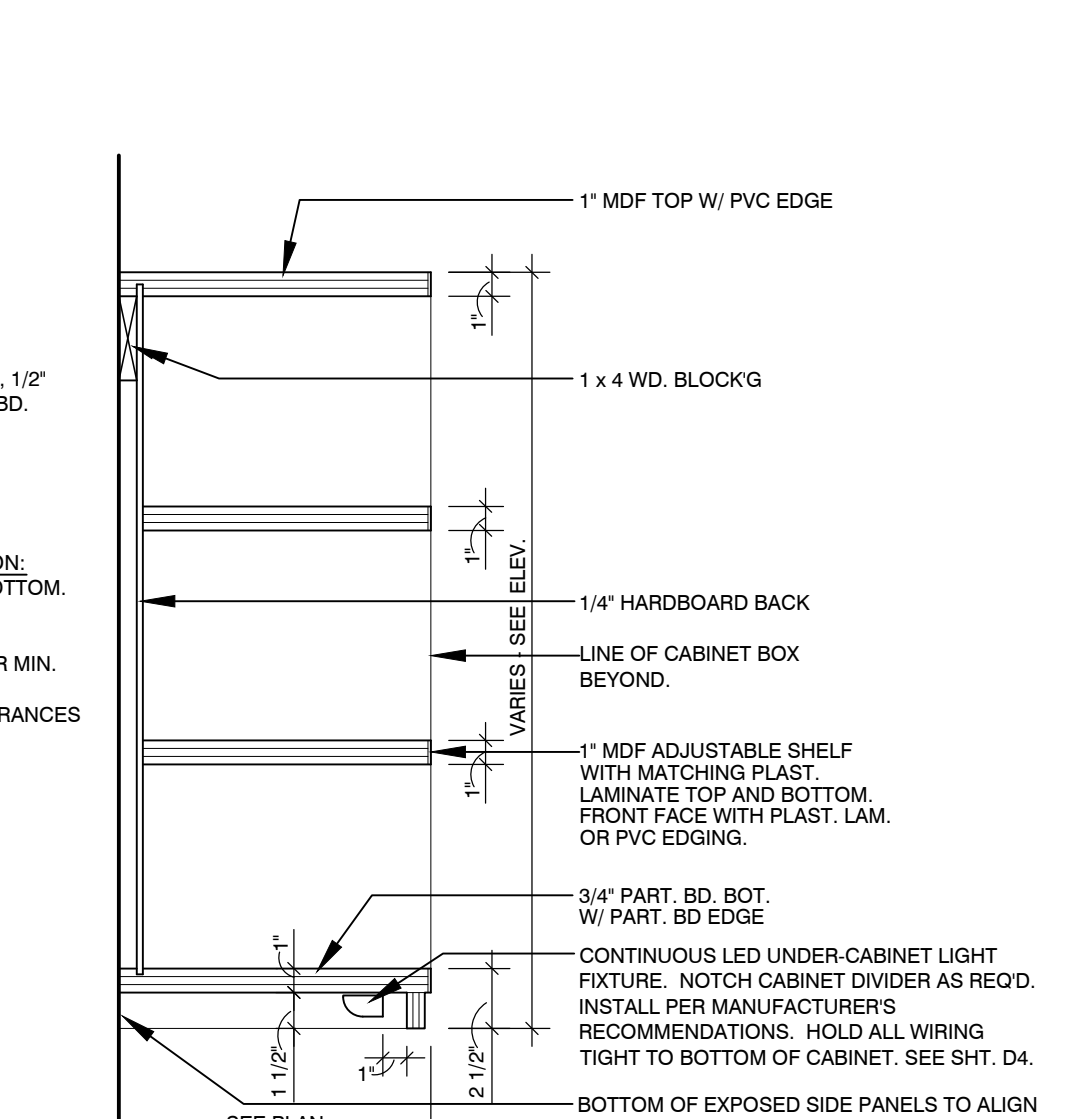
11
D8
NOT USED
1 1/2" = 1'-0"



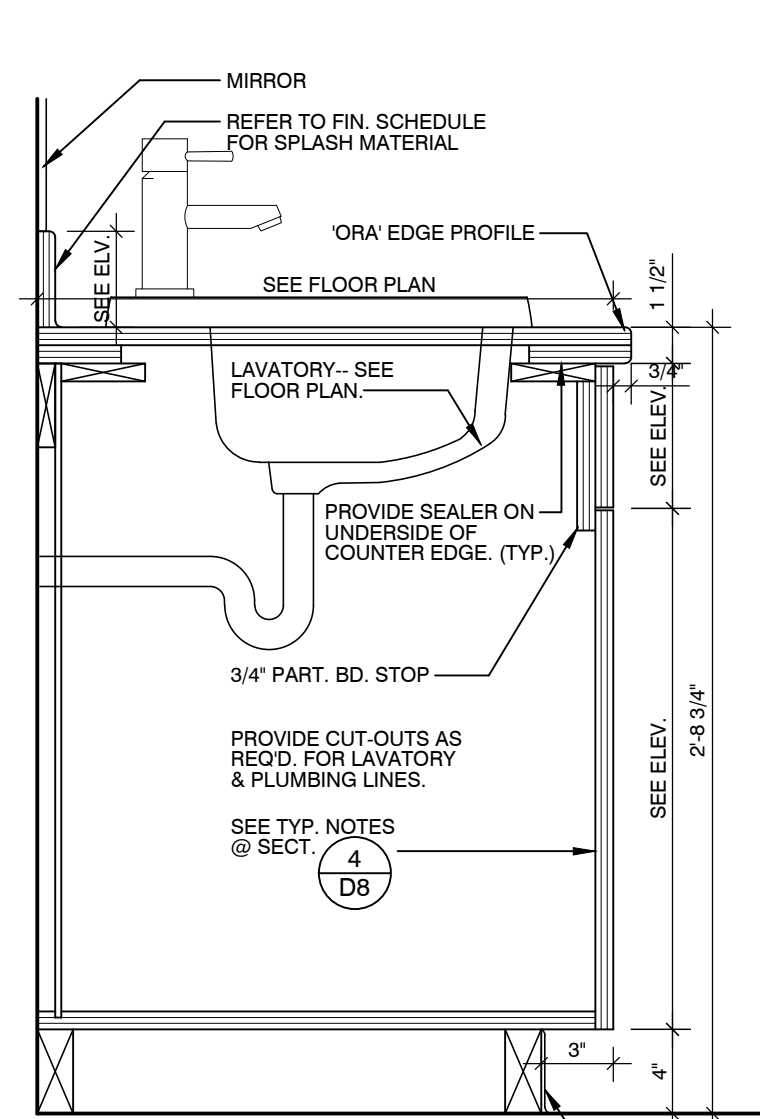
12
D8
VANITY COUNTER
1 1/2" = 1'-0"



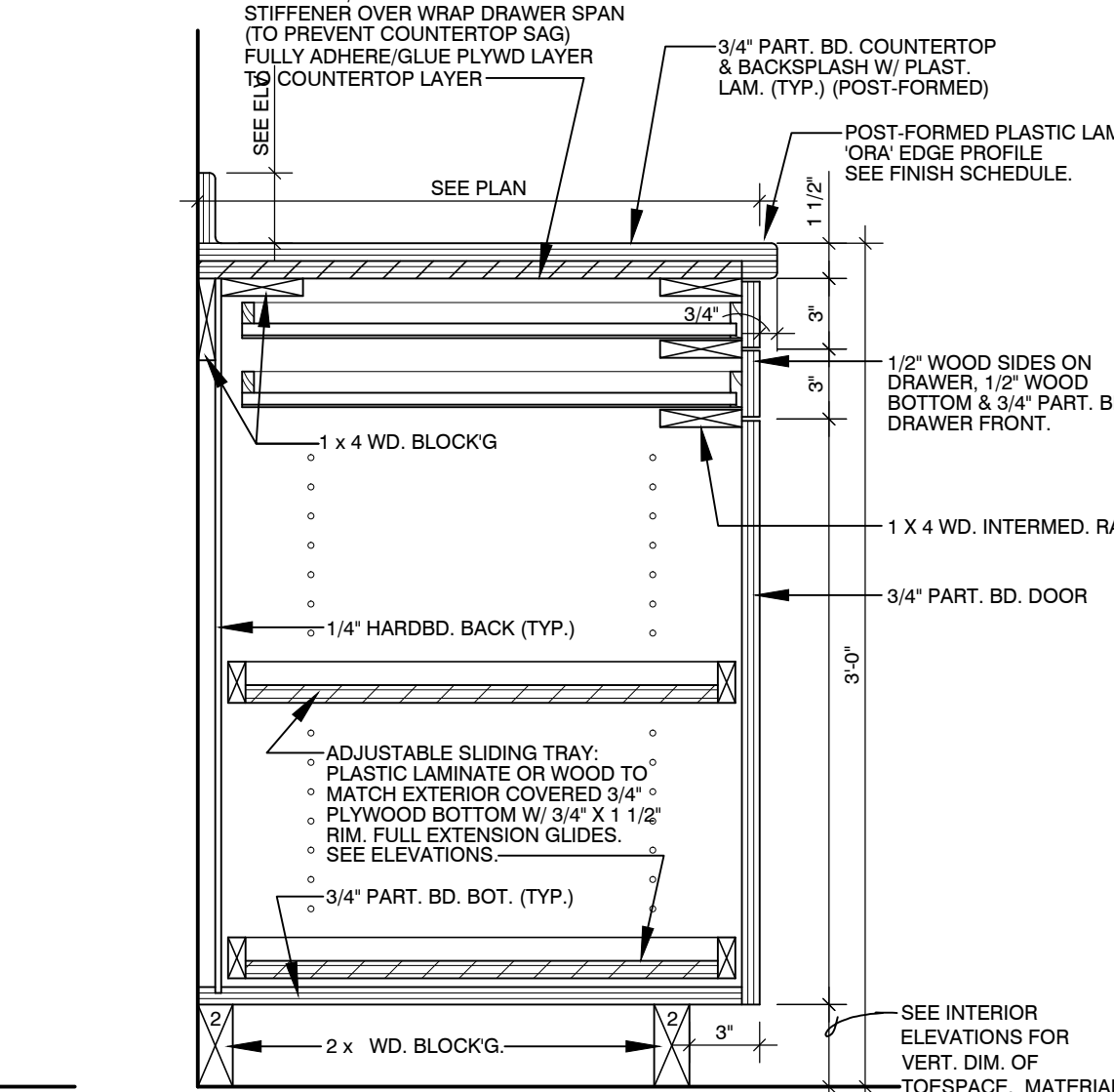
13
D8
PLASTER DRAWERS
1 1/2" = 1'-0"



14
D8
OPEN WALL CABINET
1 1/2" = 1'-0"



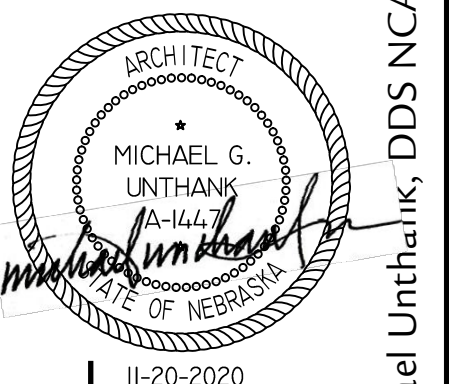
15
D8
VANITY COUNTER
1 1/2" = 1'-0"



16
D8
WRAP DRAWER CAB.
1 1/2" = 1'-0"

Cabinetry Notes:

- The general contractor shall furnish and install wood blocking in metal stud partitions for the proper anchorage of all wall attached cabinets.
- Each trade shall be held responsible for knowledge of the general notes included throughout the contract documents and the applicable building codes.
- Apply plastic laminate or wood veneer on all exposed surfaces (no exposed particle board). See finish schedule for colors and finish materials. All colors and finish materials shall be approved by the Owner and Owner's agent. Provide 6" x 6" sample for all stained wood to Interior Designer for approval.
- All plastic laminate cabinets to have 3mm PVC edge-banding with radius & polished edges at doors & drawer fronts. (Note: 'Utilitech' treatment room cabinet insert (D7 sheets), ONLY, also includes PVC edge-banding at all leading cabinet box and partition edges.) See finish schedule.
- All casework shall be manufactured and stored in accordance with the latest edition of the Architectural Woodwork Institute Quality Standards. All cabinets shall be of standard full overlay construction, custom grade, with solid wood edging (1/8" min). Provide wood cabinets and plastic laminate cabinets as shown, see interior elevations.
- Countertops and splashes (and all exterior surfaces and insides of doors for the plastic laminate-faced cabinets) shall receive plastic laminate in a standard matte finish, unless noted otherwise. Countertops in Treatment rooms, Sterilization, and Lab shall be post-formed laminate w/ integral splash (see D8 & D9). Apply backing sheet to underside of countertops.
- Provide 36 gronomets (see 'wire management' type on sheet D2) place w/ owner.
- All 'holes' within cabinets to be finished with gronomet to match, fix in place w/ silicon.
- Interior surfaces and shelves of all closed plastic laminate cabinets shall have vinyl finish melamine or equal. (Exception: Plastic laminate doors shall have plastic laminate, vert. grade, inside & out.)
- Interior surfaces and shelves of all wood cabinets shall have wood to match.
- All cabinetry to be easily 'demountable' from wall without the use of special tools, procedures, or destructive means (w/ removable fasteners/ screws).
- Cabinet door hinges shall be 'Blum' soft-close w/ 120° opening.
- Drawer/tray glides shall be 'Accuride' 3832-EC, easy-close, full-extension.
- See finish schedule for specification of cabinet pulls.
- All wood cabinets to have 1/8" solid wood edge-banding at doors, drawer fronts, and leading cabinet box edge.
- Line of gyp. bd. verance above cabinets is 1" back from face of cabinet (see sections & sheet D3).
- Cabinet contractor to verance and coordinate all operational requirements and clearance dimensions of project cabinetry with walls trim and by owner items (O.S.C.1). This coordination includes but is not limited to the following:
 A) Door and drawer operation is free and clear, allowing complete range of motion for all full extension glides and door swings.
 B) Door and drawer operation shall not hinder appliance operation, i.e. dishwasher, refrigerator, washer, dryer, microwave, etc.
 C) Cabinetry components, hardware, pulls, slides, etc. Coordinate and ensure complete free and clear operation of drawers and doors. Provide a 1/2" scribe at the ends of all cabinet runs abutting adjacent wall assemblies to ensure adequate clearances.
 D) Exposed particle board ends to be sealed completely with polyurethane, and allowed to dry, before completing seaming and placing of countertop (Typ. all post-formed countertops).



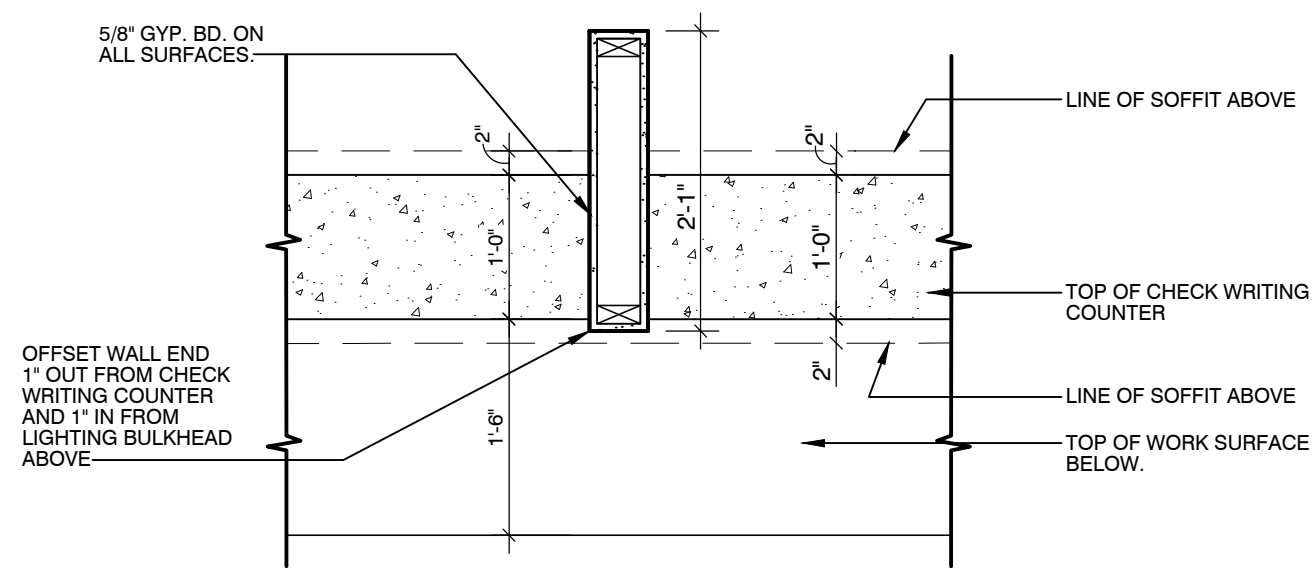
NEW OFFICE FOR PRAIRIE MEADOWS DENTAL KEARNEY, NEBRASKA

REVISIONS:
20 Nov. 2020

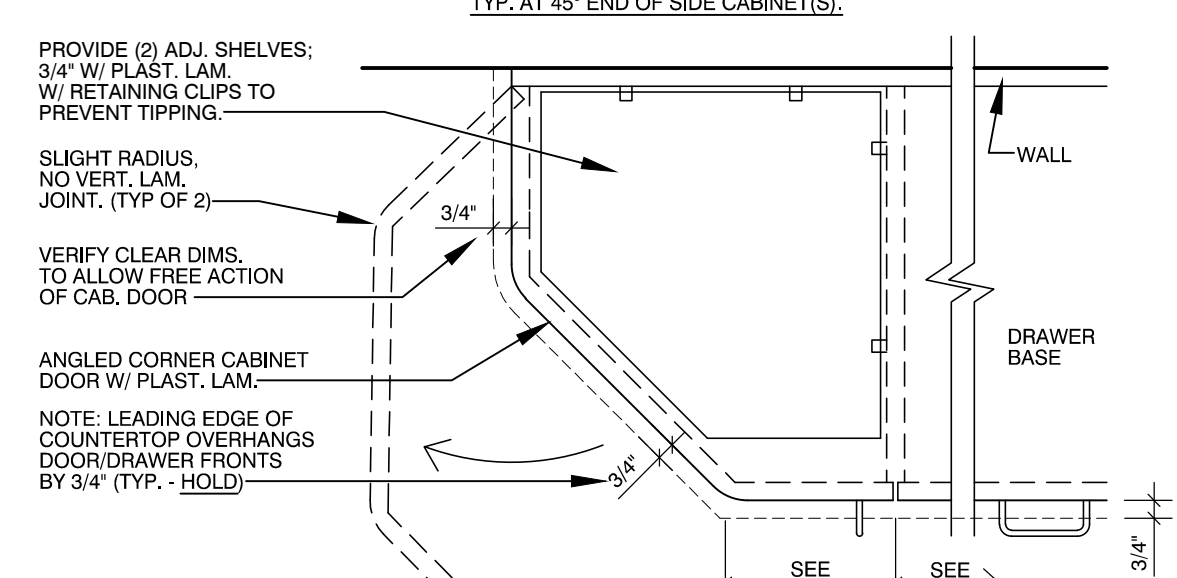
Date: November 20, 2020
Copyrighted drawings. All unauthorized use & reproduction is strictly prohibited. Copyright © 2020 Michael Unthank, DDS NCARB, Lincoln, NE

D8

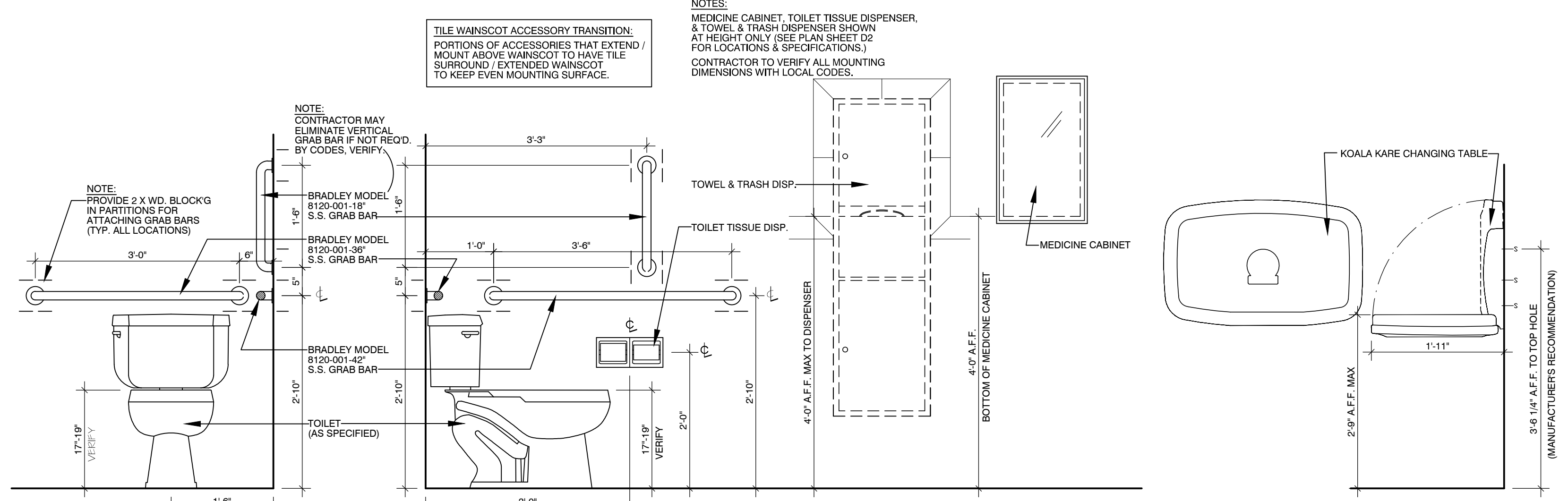
Unthank Design Group hereby expressly reserves its common law copyright and other property rights in these plans. These plans and drawings are not to be reproduced, changed or copied in any form or manner whatsoever without first obtaining the express written permission of Unthank Design Group, nor are they to be assigned to any third party without first obtaining written permission and consent.



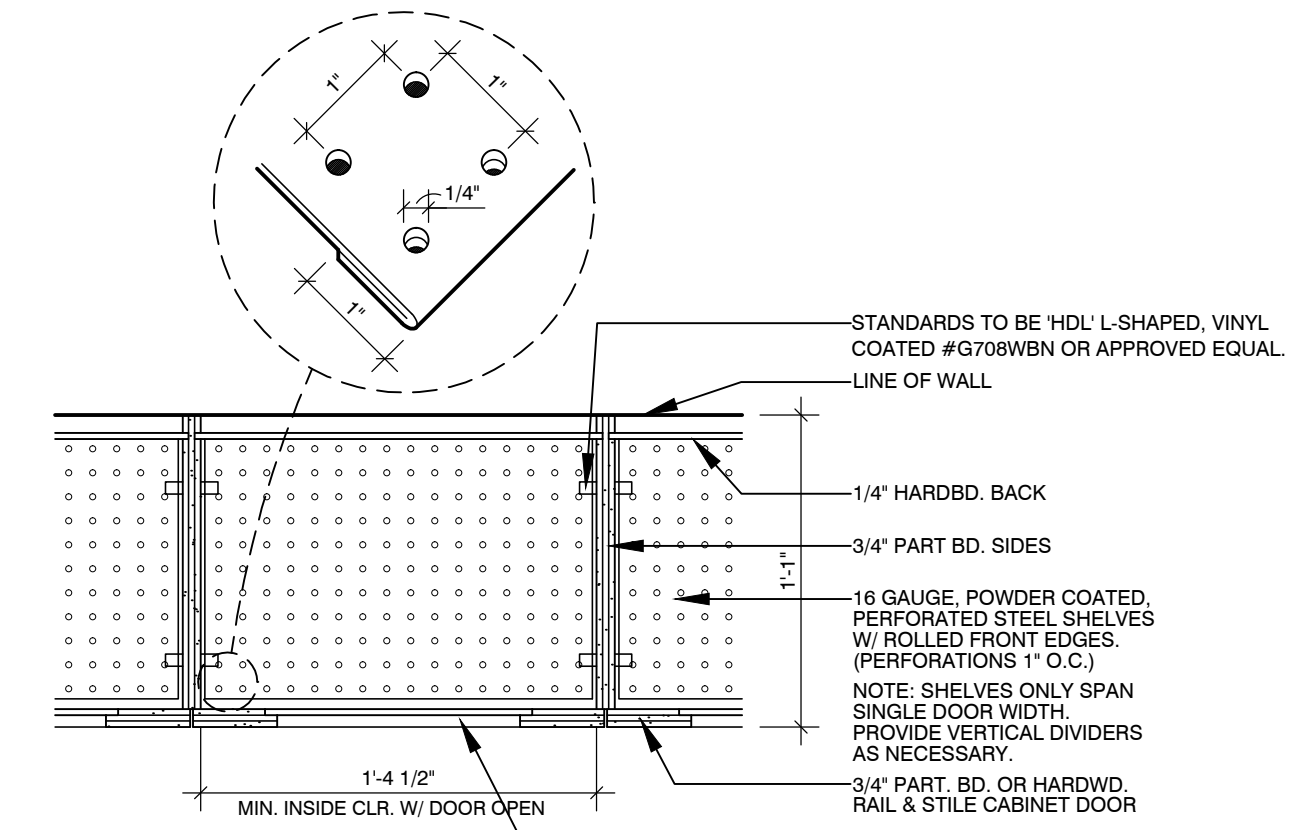
1
D9 CONTROL COUNTER / WALL DETAILS
3/4" = 1'-0"



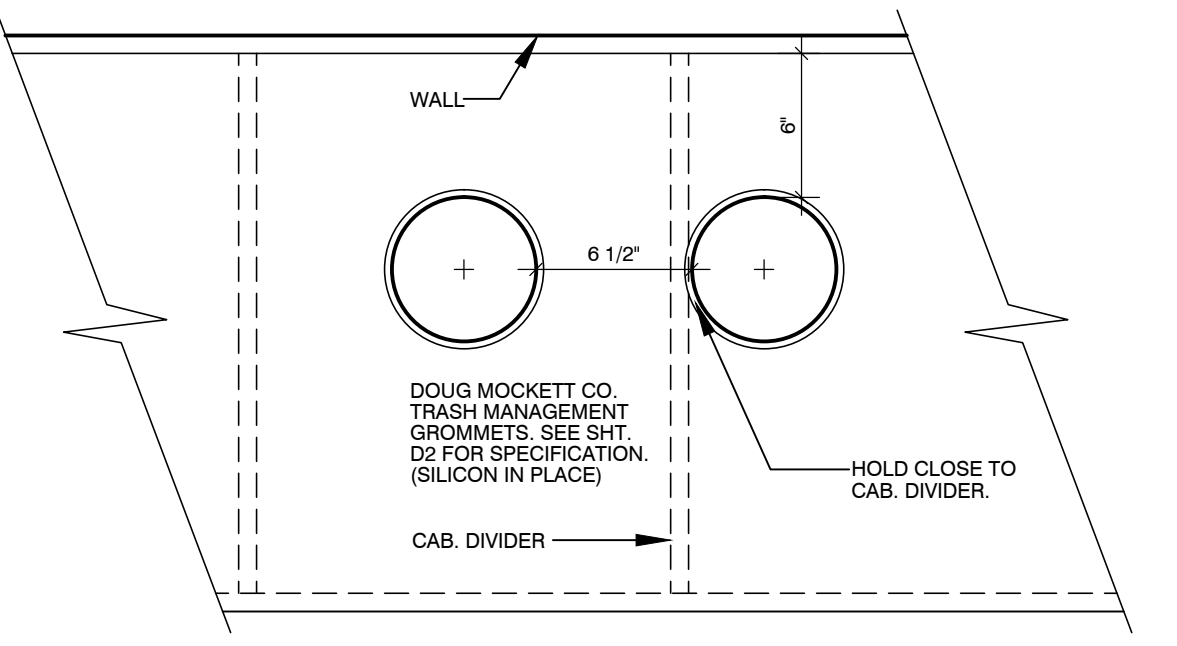
2
D9 TREATMENT CAB. DTL. (ASST. SIDE)
3/4" = 1'-0"



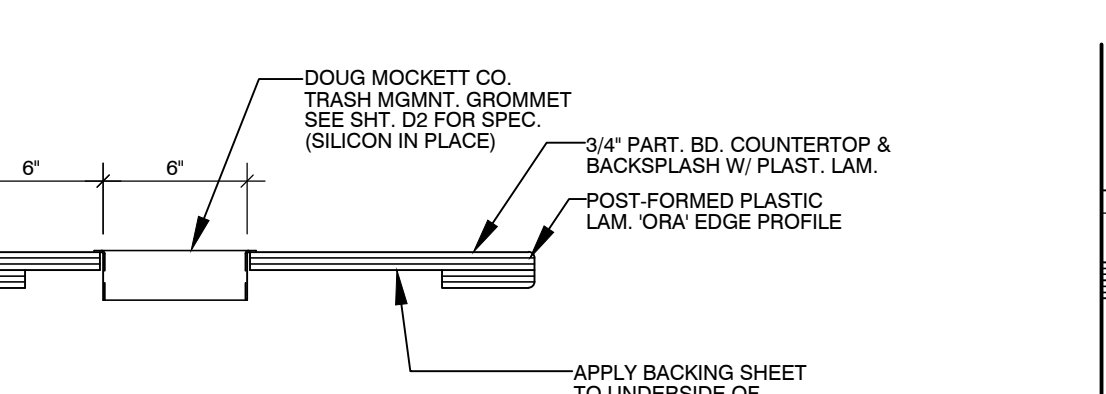
3
D9 TOILET ROOM ACCESSORY MOUNTING
3/4" = 1'-0"



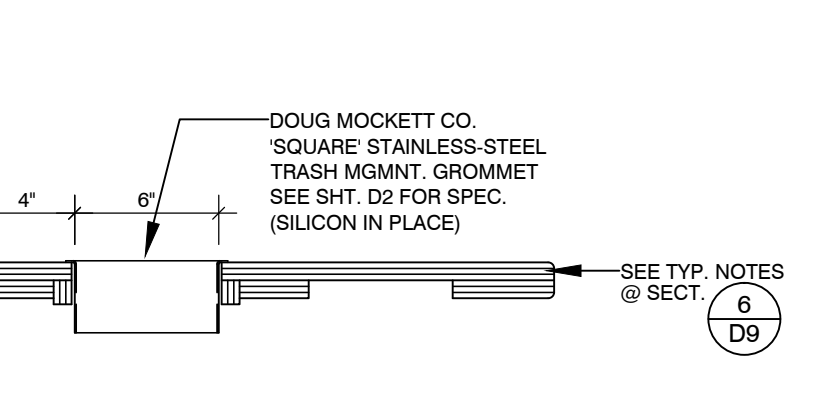
4
D9 TRAY STORAGE CAB. PLAN
1 1/2" = 1'-0"



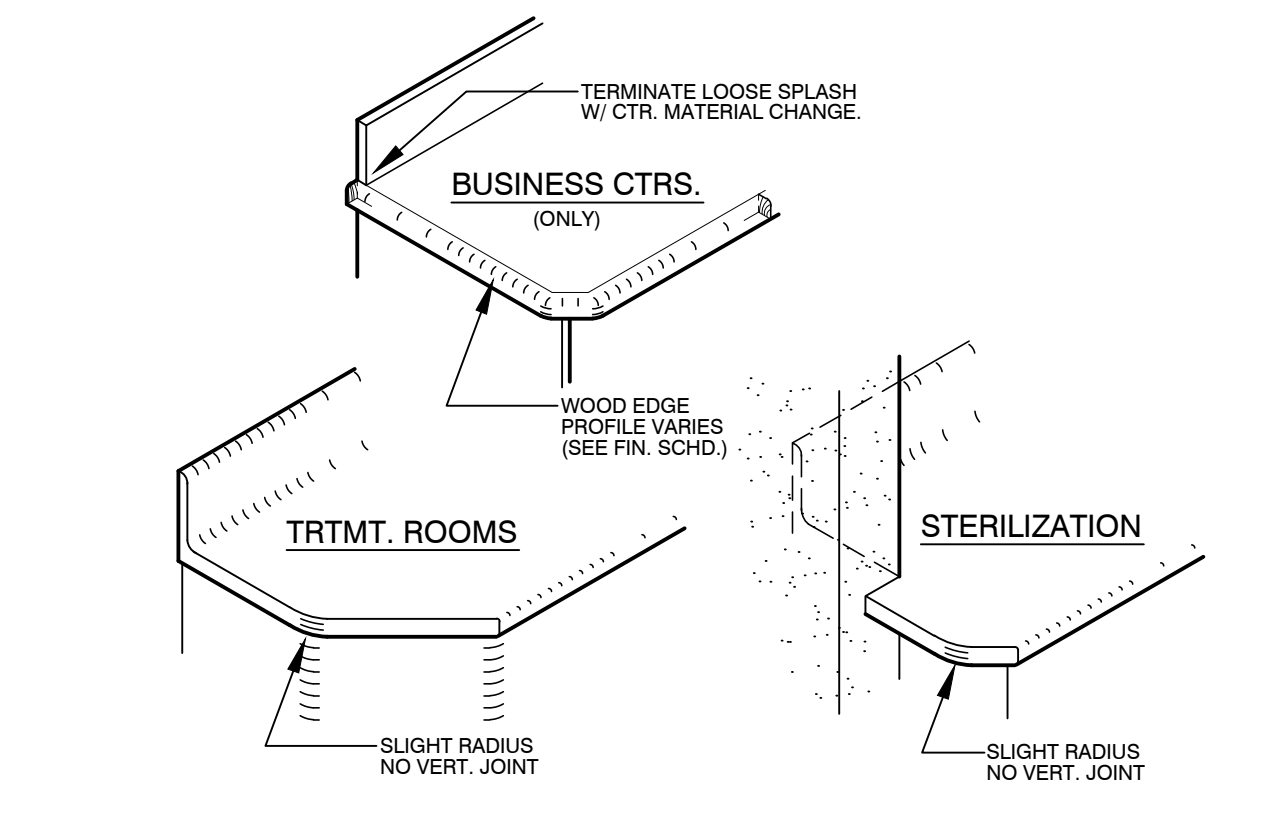
5
D9 PLAN AT STERILIZATION TRASH DROPS
1 1/2" = 1'-0"



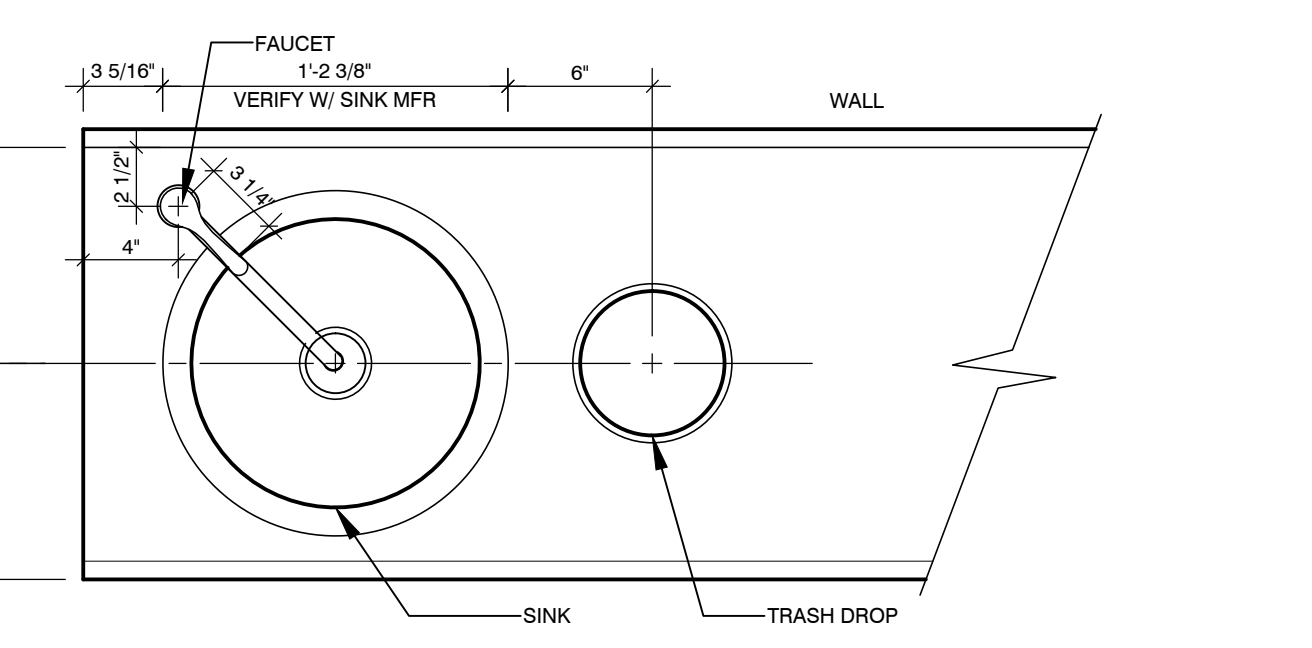
6
D9 TRASH DROP
1 1/2" = 1'-0"



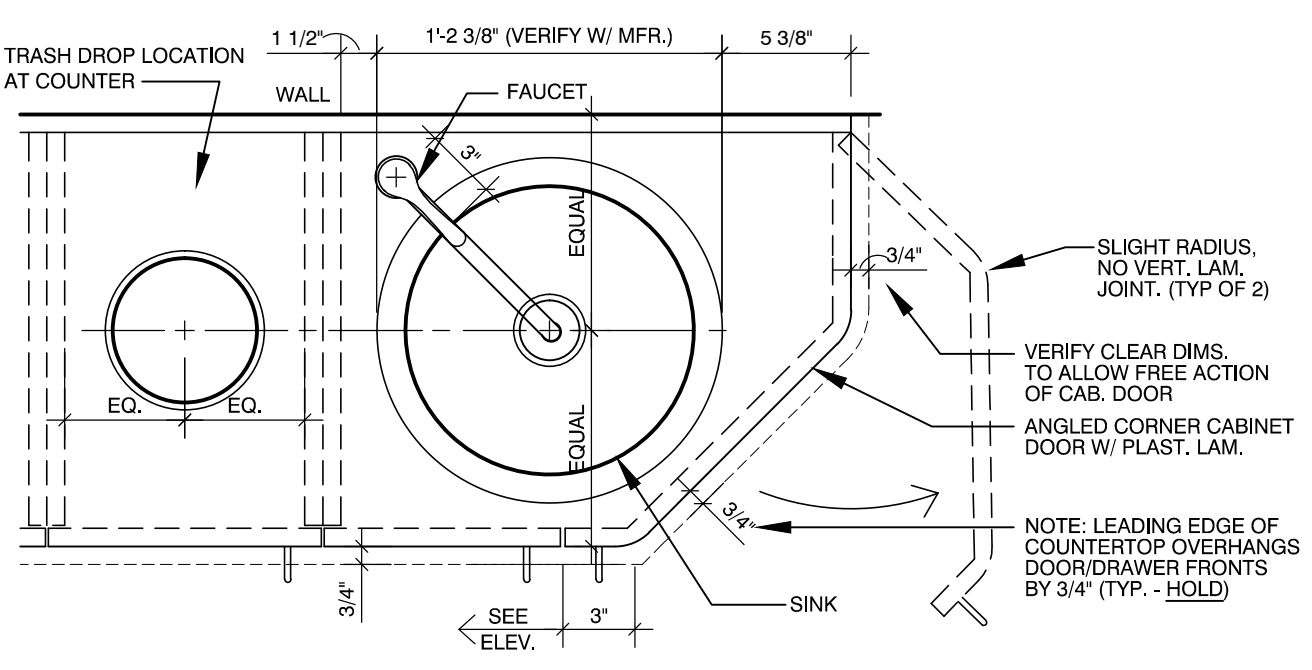
7
D9 TRASH DROP IN LAB
1 1/2" = 1'-0"



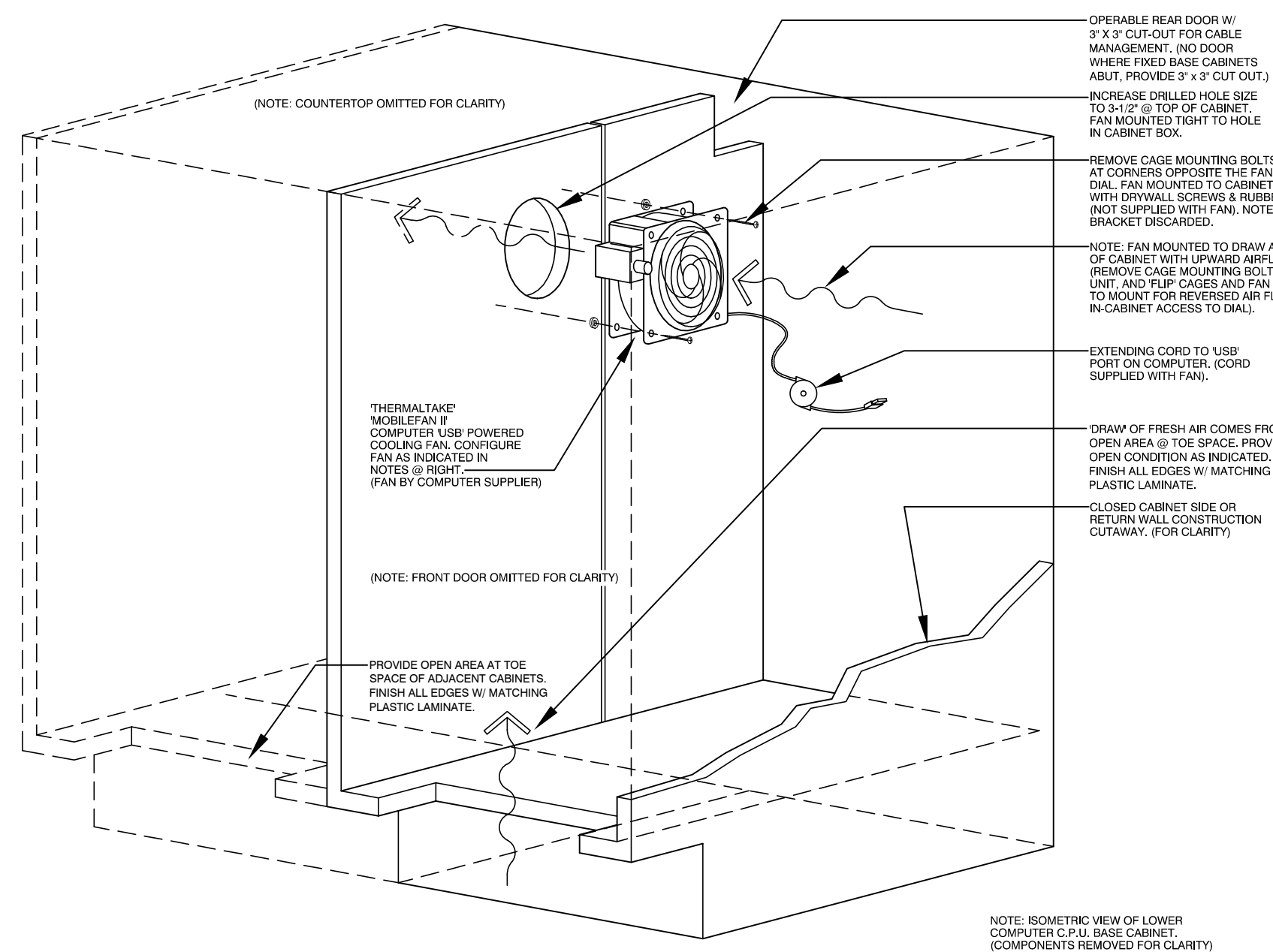
8
D9 LAMINATE DETAILS
NO SCALE



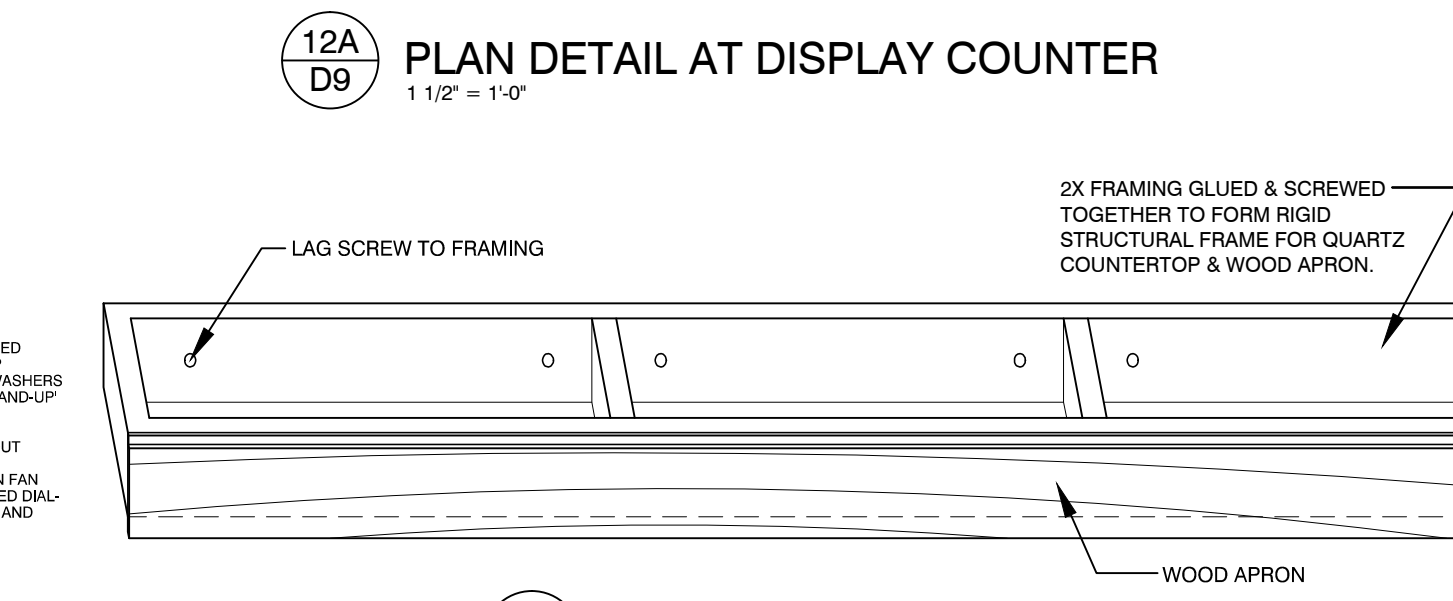
9a
D9 PLAN AT TRTMT. ROOM SIDE COUNTER SINK
1 1/2" = 1'-0"



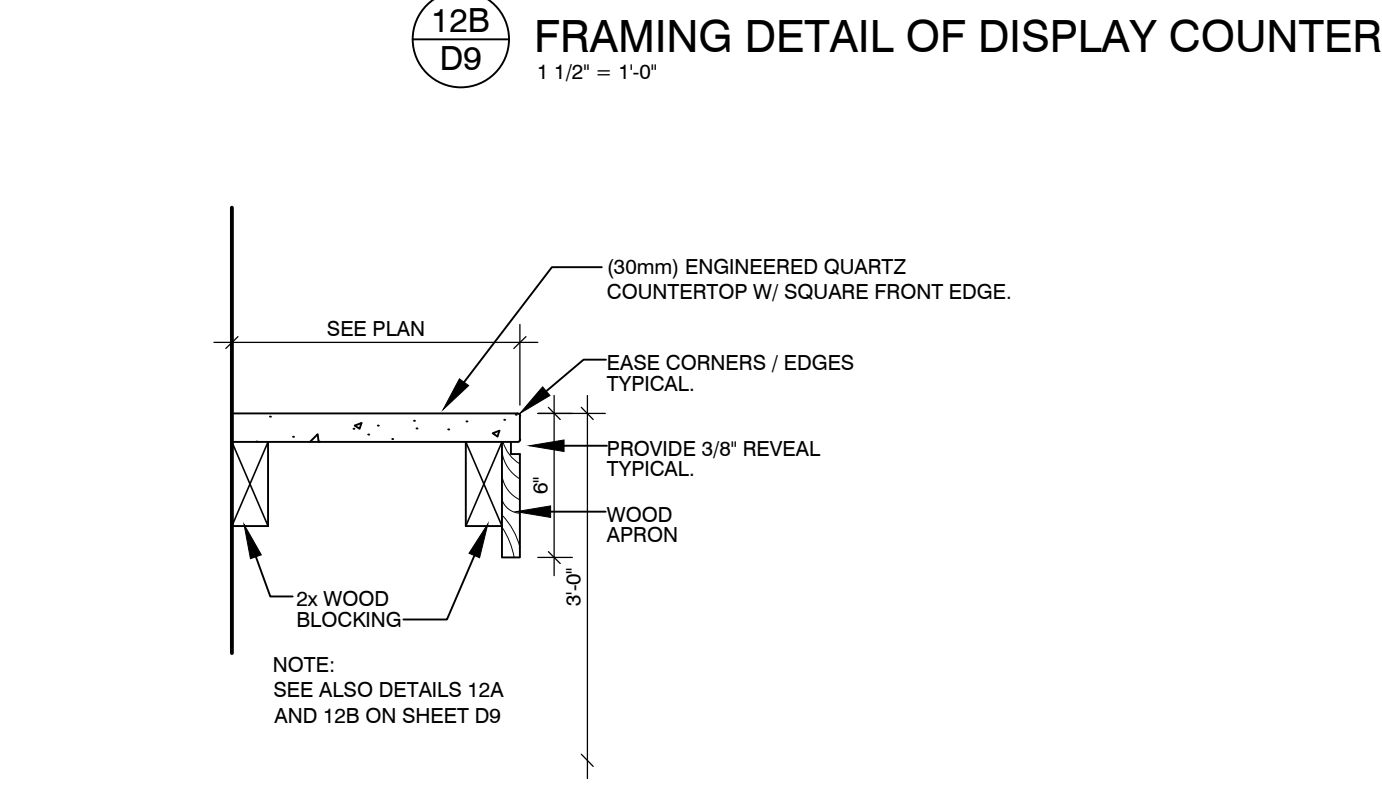
9b
D9 TREATMENT RM CAB. DTL. (DR. SIDE)
1 1/2" = 1'-0"



11
D9 VENTING IN BASE CAB. FOR CPU
NOT TO SCALE

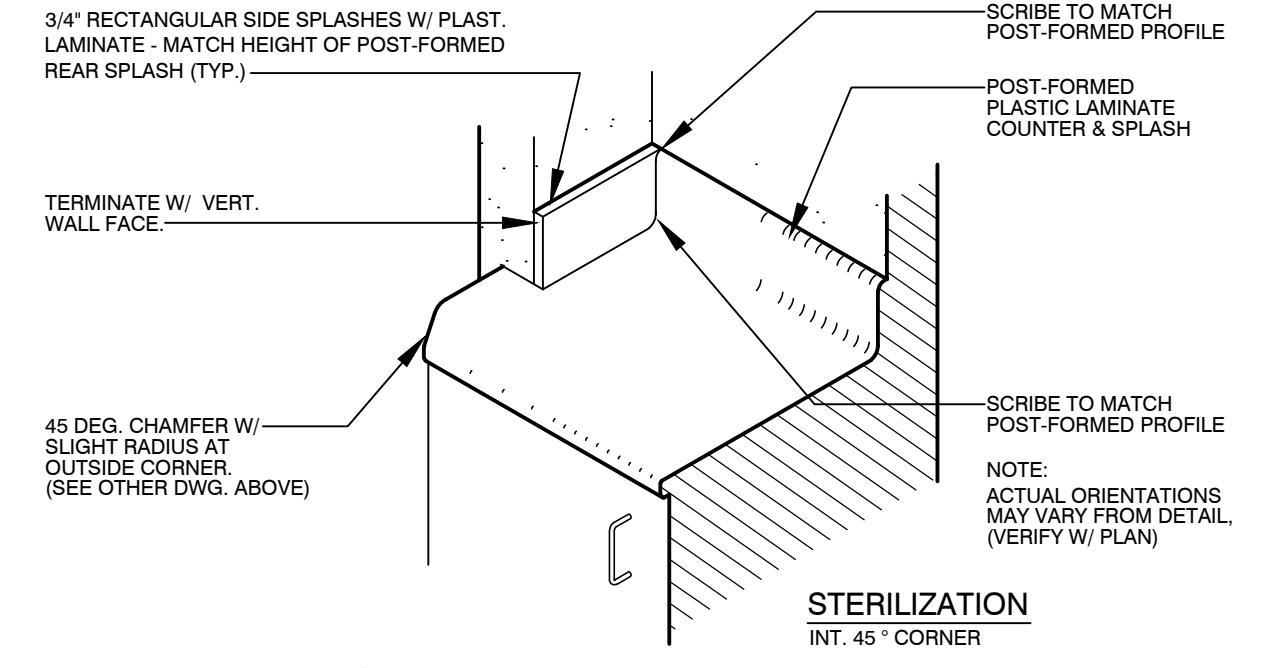


12A
D9 PLAN DETAIL AT DISPLAY COUNTER
1 1/2" = 1'-0"

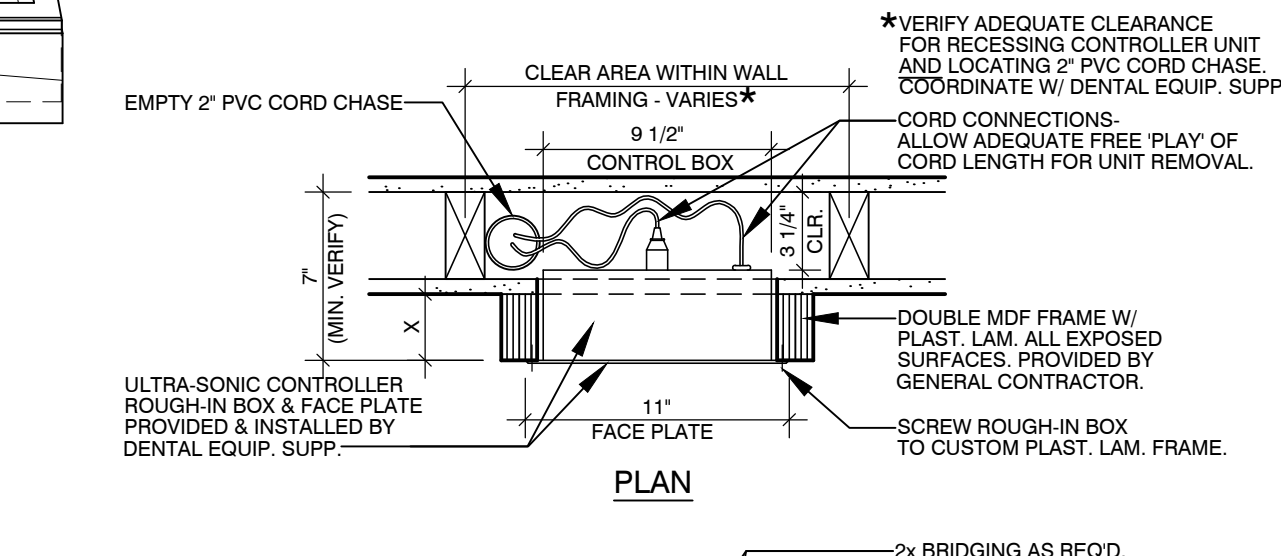


12B
D9 FRAMING DETAIL OF DISPLAY COUNTER
1 1/2" = 1'-0"

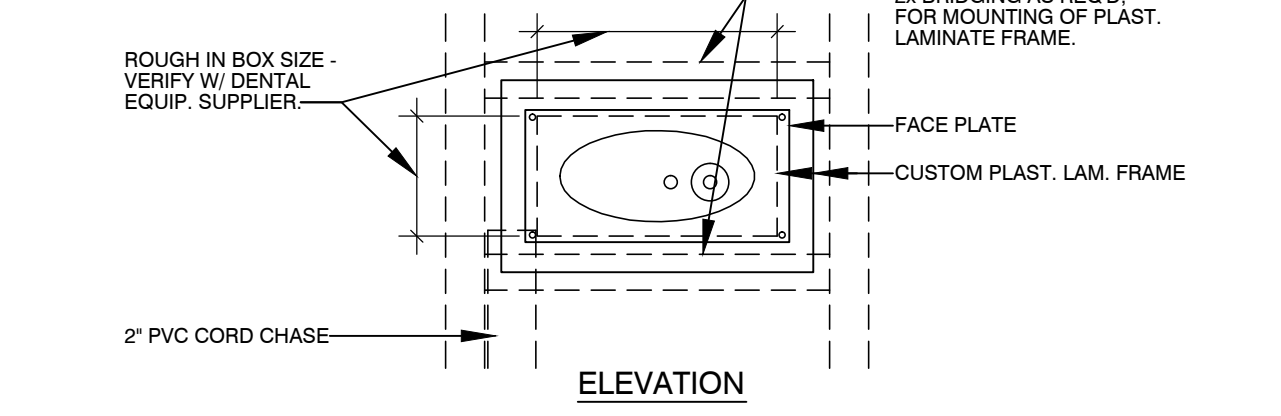
12C
D9 HALL COUNTER
1 1/2" = 1'-0"



12C
D9 HALL COUNTER
1 1/2" = 1'-0"

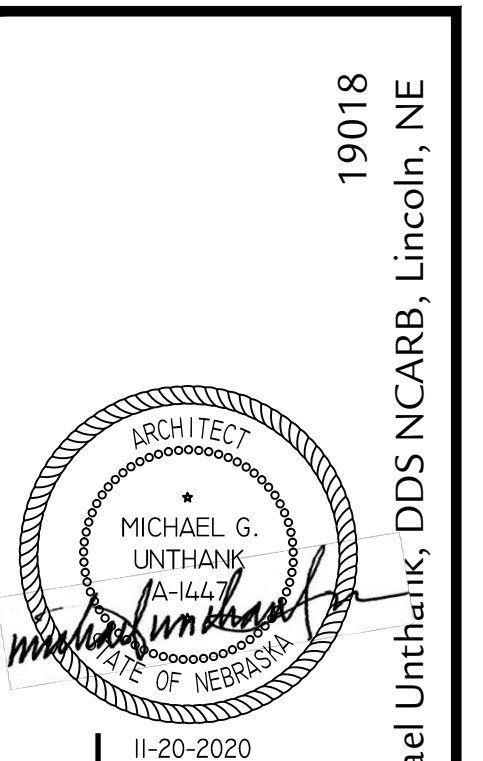


13
D9 ULTRA-SONIC CONTROL
1 1/2" = 1'-0"



13
D9 ULTRA-SONIC CONTROL
1 1/2" = 1'-0"

10
D9 NOT USED



NEW OFFICE FOR PRAIRIE MEADOWS DENTAL KEARNEY, NEBRASKA

Date: November 20, 2020
Copyrighted drawings. All unauthorized use & reproduction is strictly prohibited. Copyright © 2020 Michael Unthank, DDS NCARB, Lincoln, NE

REVISIONS:
20 Nov. 2020

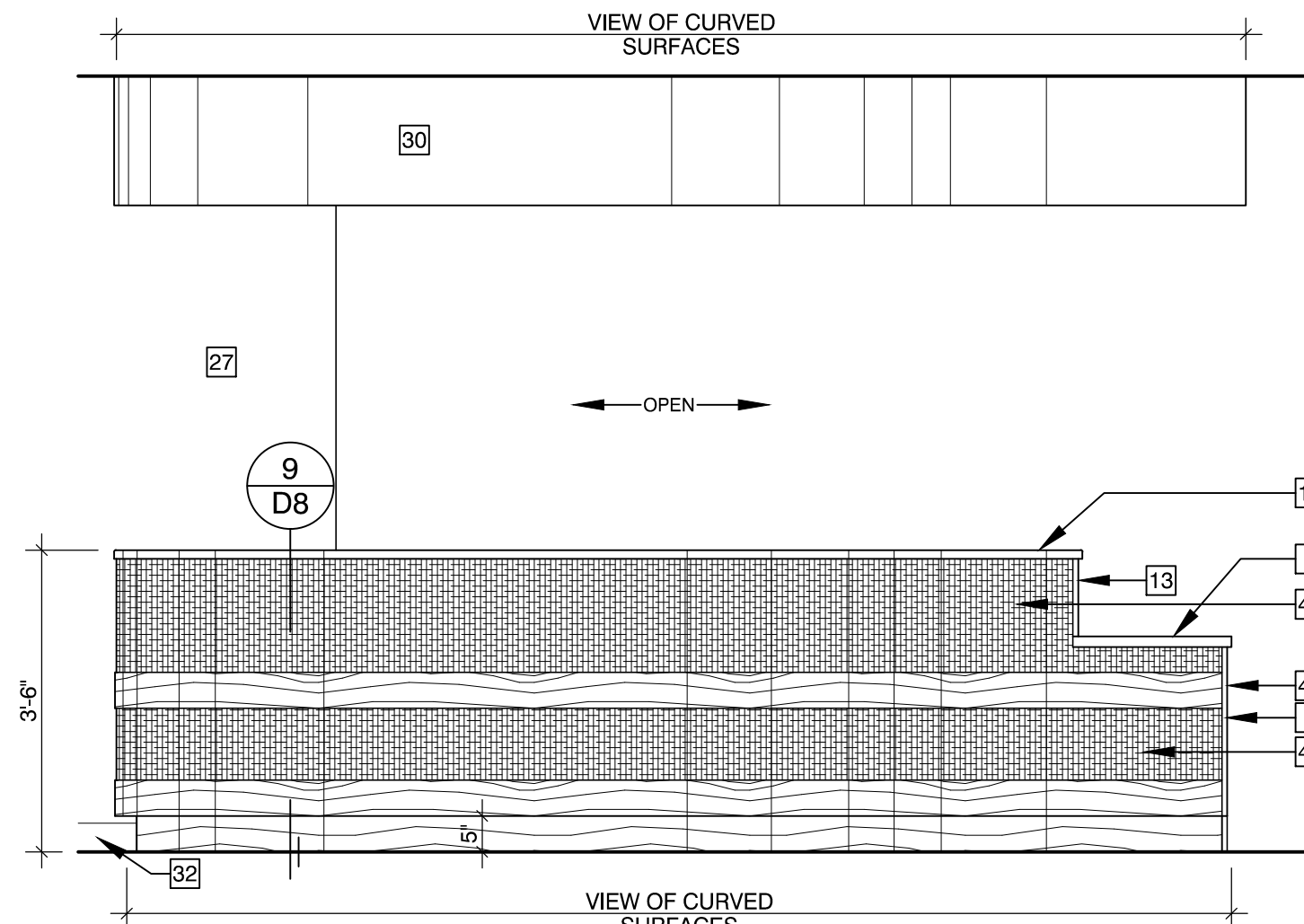
D9

Unthank Design Group hereby expressly reserves its common law copyright and other property rights in these plans. These plans and drawings are not to be reproduced, changed or copied in any form or manner whatsoever without first obtaining the express written permission of Unthank Design Group, nor are they to be assigned to any third party without first obtaining written permission and consent.



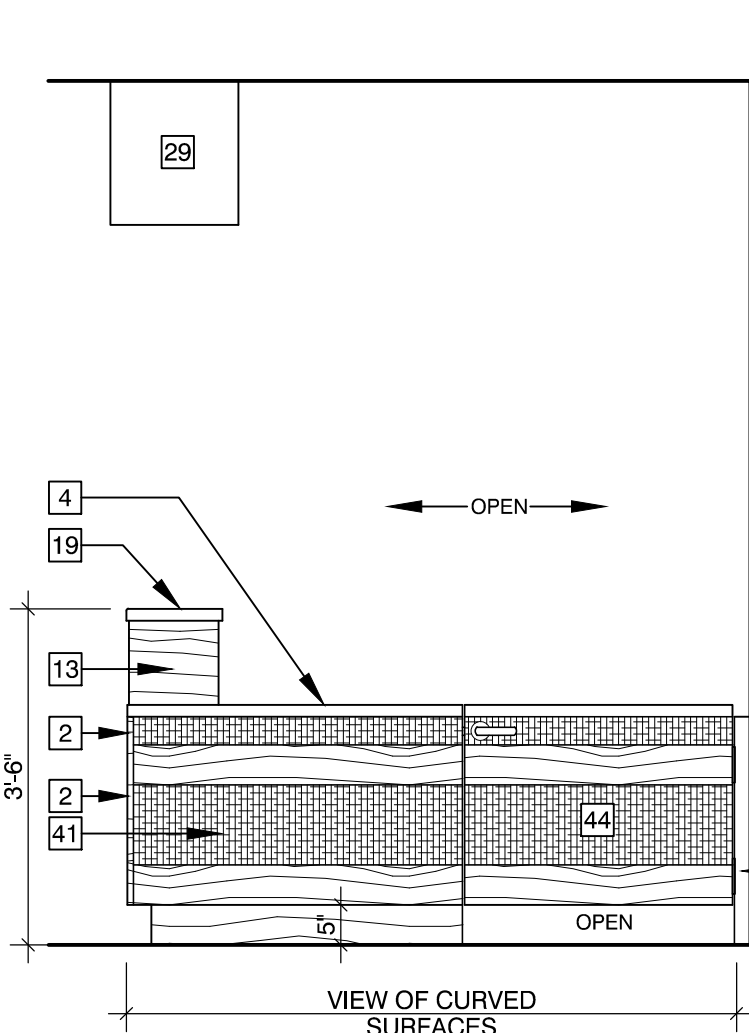
1. CONTROL

2. HALL

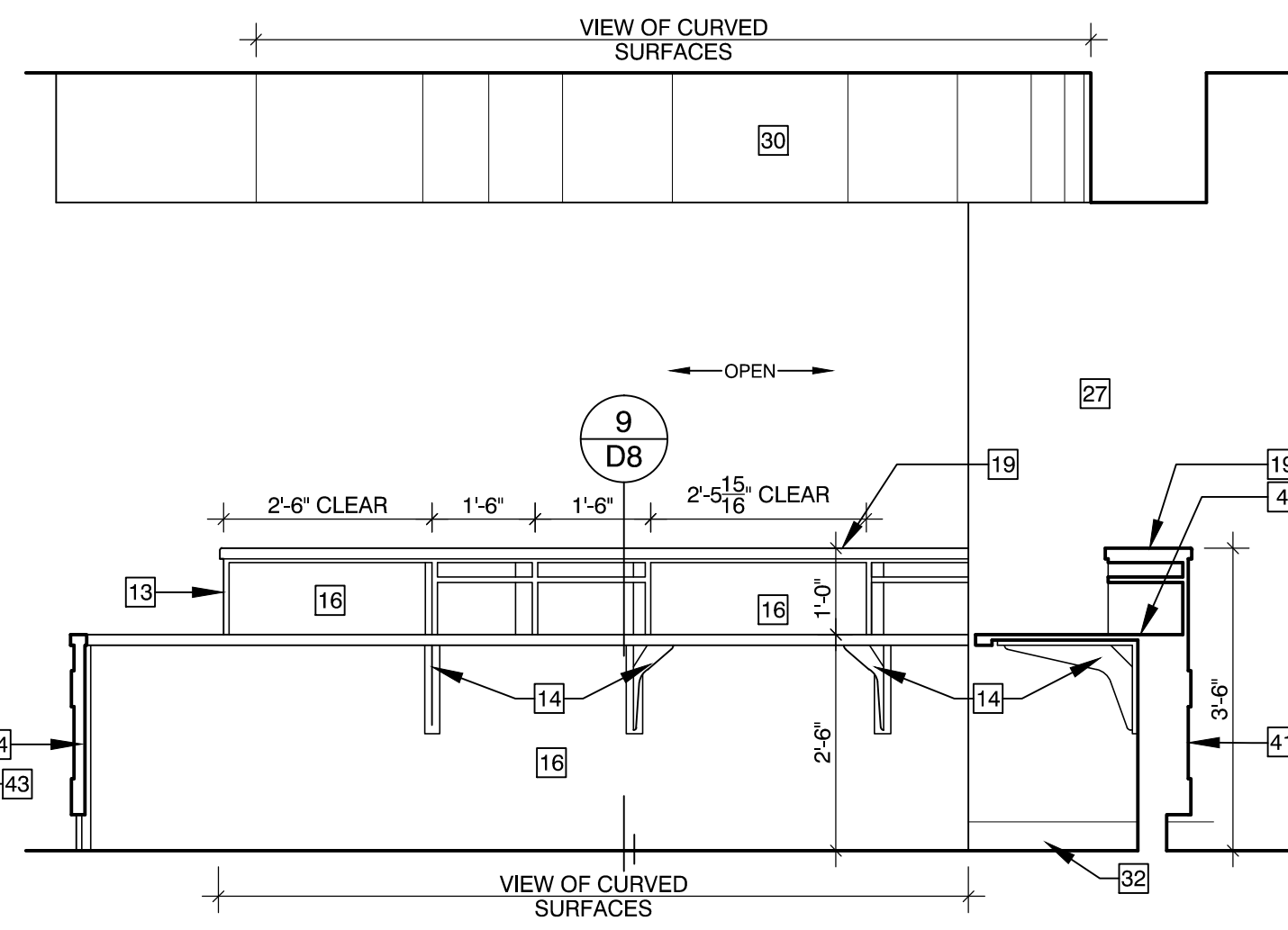


3. GREETING

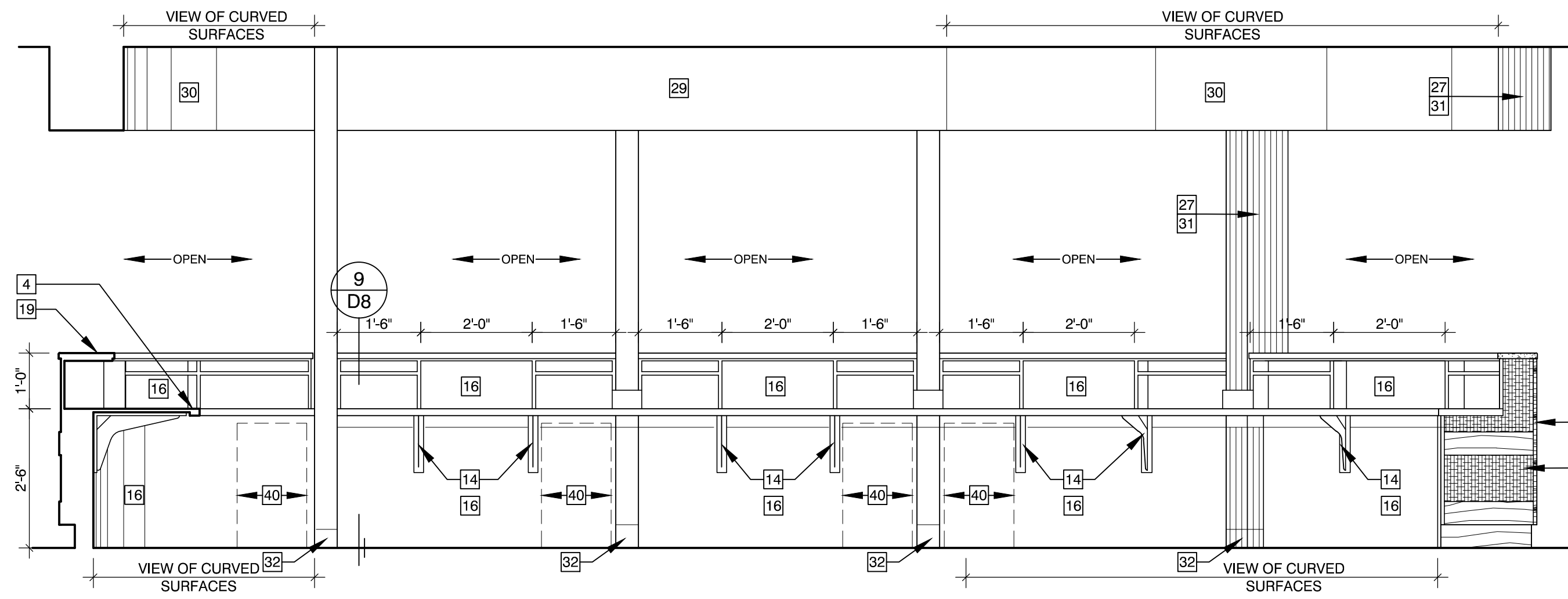
NOTES:
ALL DRAWINGS ON THIS SHEET ARE DRAWN AT 1/2" = 1'-0"
PROVIDE REQ'D BLOCKING FOR ALL WALL CABINET INSTALLATION (SEE ALSO GEN. NOTE #S 9 & 19; SHT. D1)



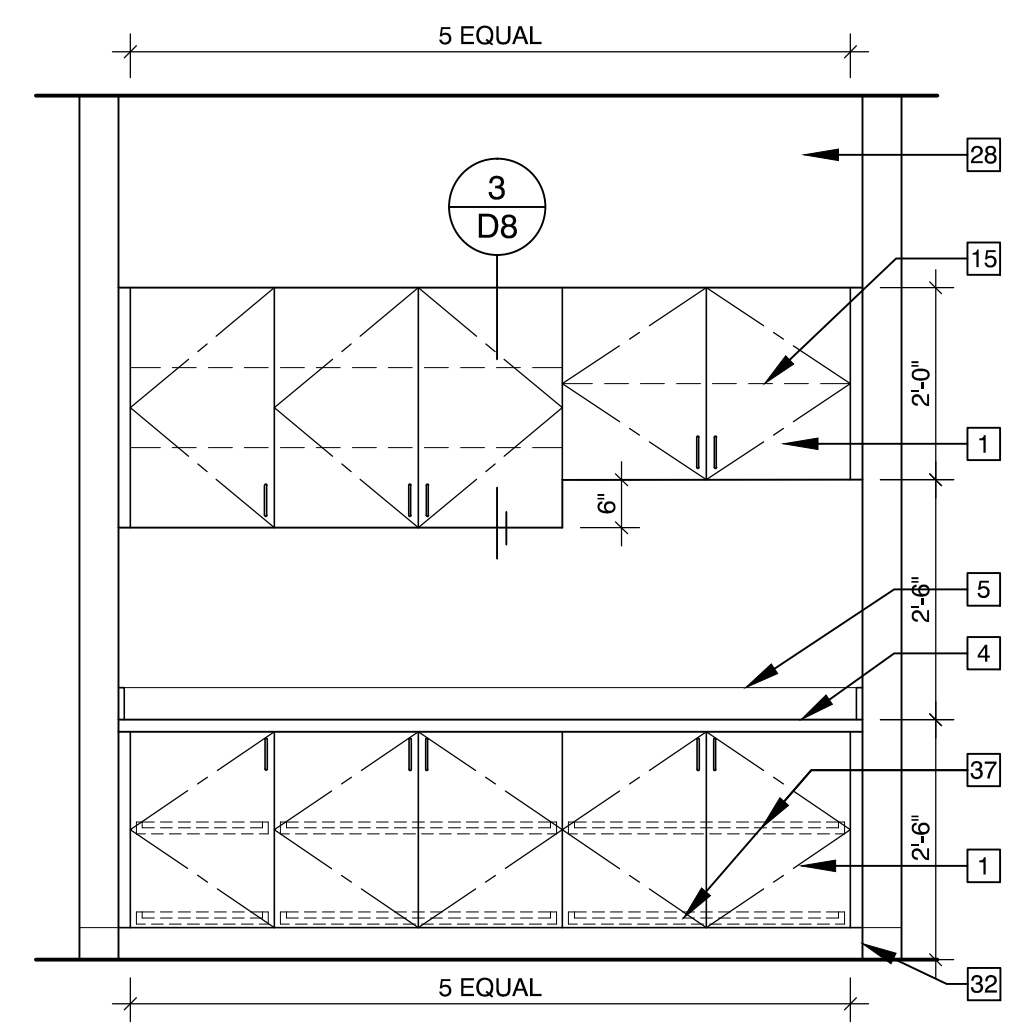
4. GREETING



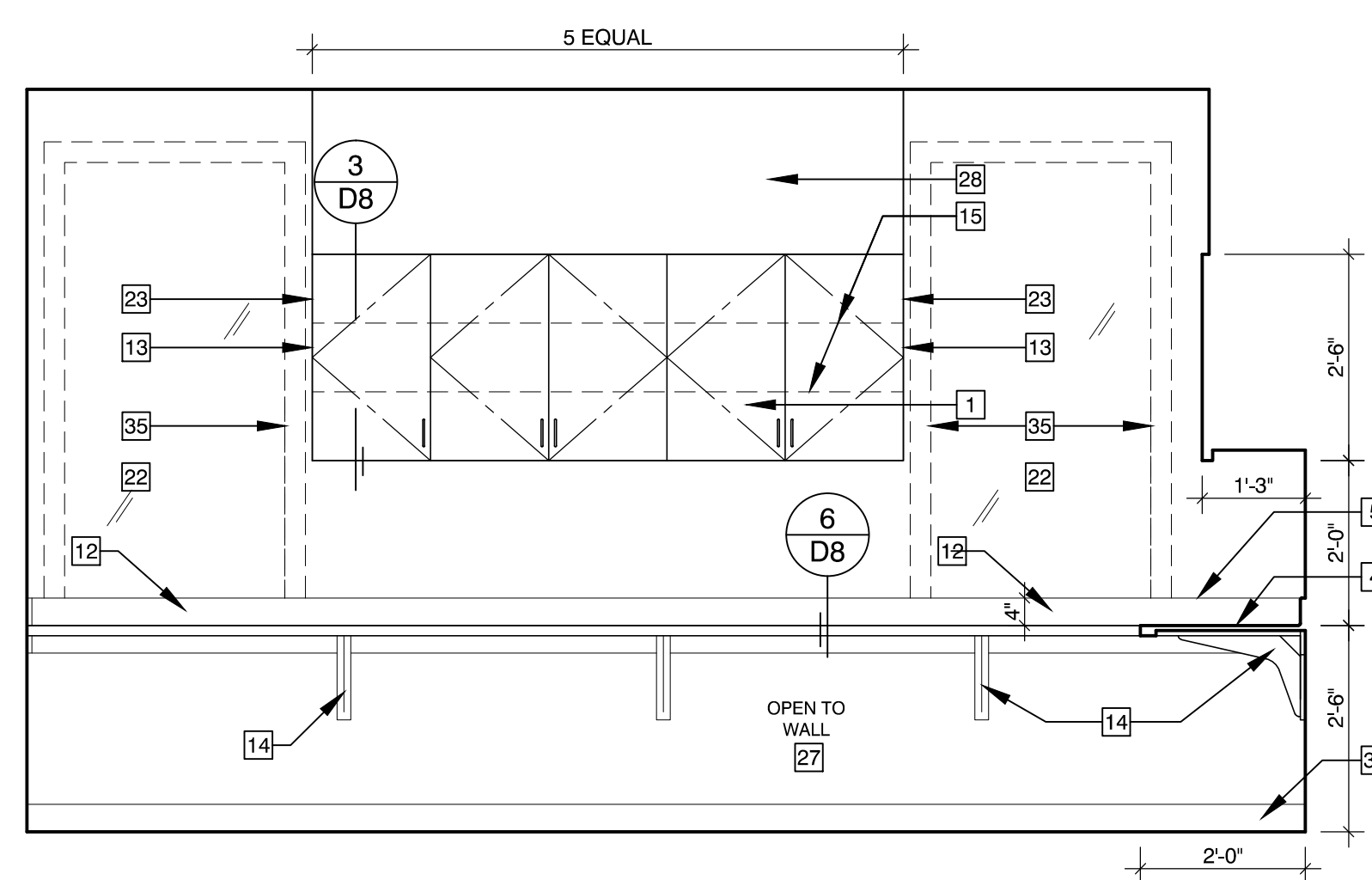
5. CONTROL



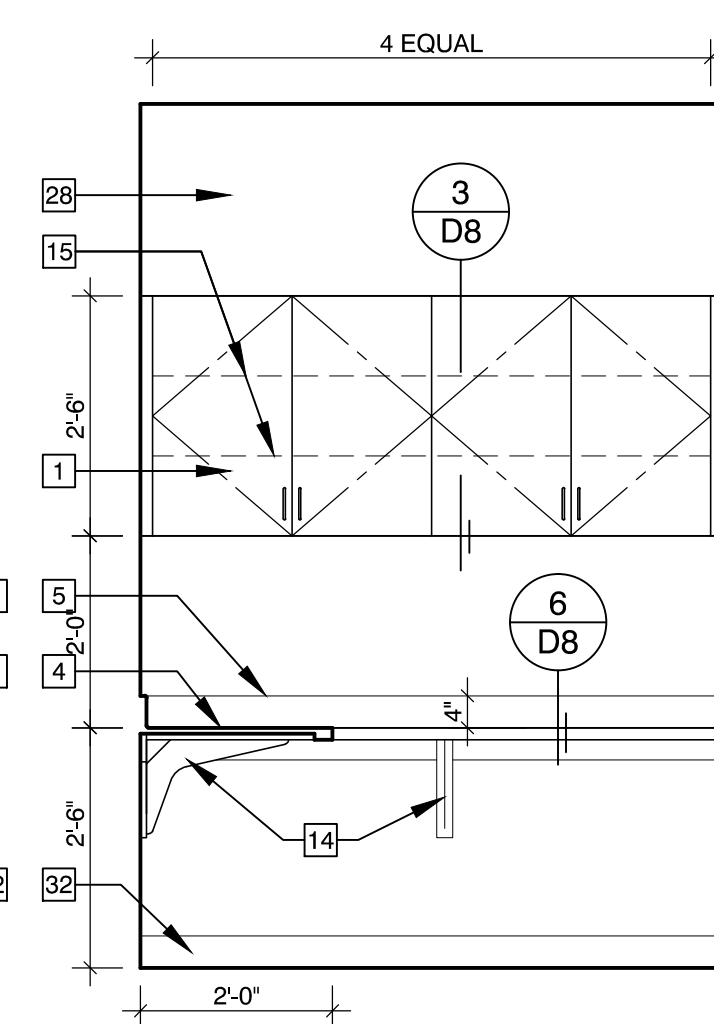
6. CONTROL



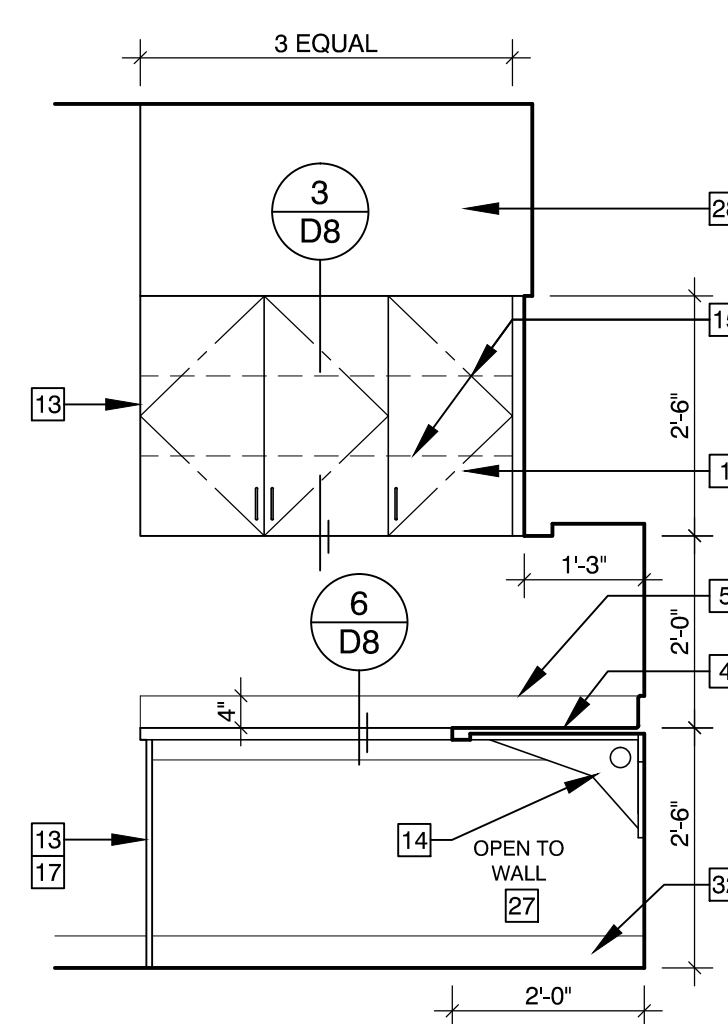
7. CONTROL



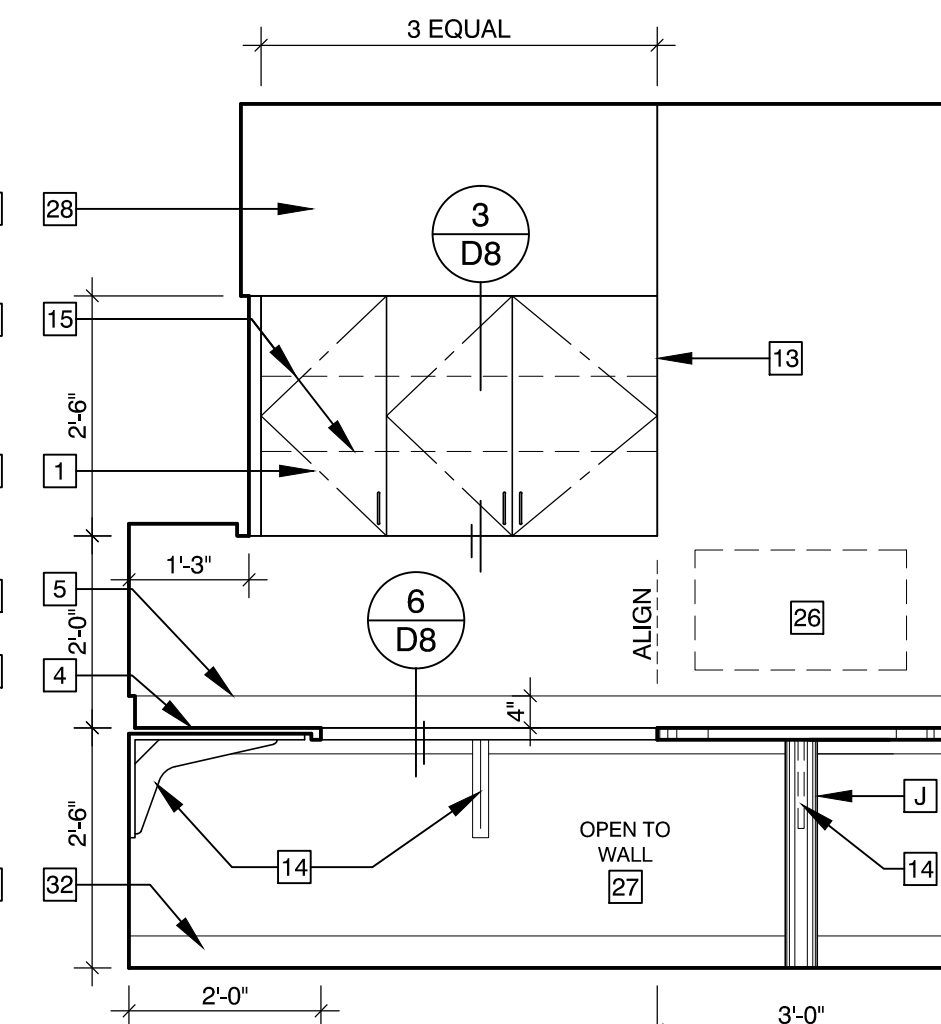
8. BUSINESS



9. BUSINESS



10. CNSLT.



11. CNSLT.

KEYNOTES

Referenced this sheet

- 1 Slab style wood cabinets. (w/ matching wood interiors.)
- 2 Wood corner trim.
- 3 not used.
- 4 Plastic laminate countertop w/ plastic laminate self-edge.
- 5 Plastic laminate backsplash.
- 6 not used.
- 7 not used.
- 8 not used.
- 9 not used.
- 10 not used.
- 11 not used.
- 12 Provide matching plast. lam. on back of all cabinets & backsplash crossing exterior windows, typical.
- 13 Finish end panel, to match, typical.
- 14 Metal counter supports. See finish schedule for color. (4'-0" ctr. spans max.)
- 15 Adjustable shelf/shelves.
- 16 Plastic laminate, this surface.
- 17 End-support panel to floor.
- 18 not used.
- 19 Engineered quartz countertop w/ eased square edge.
- 20 not used.
- 21 not used.
- 22 Window by building shell architect.
- 23 Hold cabinets clear of window trim (Typ.)
- 24 not used.
- 25 not used.
- 26 Wall mtd. monitor. Provide power, data, & blocking.
- 27 Gyp. board.
- 28 Gyp. board valance (see cab. details for location of face.)
- 29 Gyp. board bulkhead.
- 30 Gyp. board bulkhead w/ 2 layers of 1/2" gyp. bd. (@ curves)
- 31 Shading indicates angle view.
- 32 Wall base.
- 33 not used.
- 34 not used.
- 35 See sheet D6 for trim/casing.
- 36 not used.
- 37 Adjustable sliding tray w/ 3/4" plywd. bottom. 3/4"x1 1/2" hdwd. rim Cover with wood veneer.
- 38 not used.
- 39 not used.
- 40 Open/clear under-cabinet area (for 15"W x 20"D mobile file drawers by Owner)
- 41 Refer to section on sheet D8 and to Room Finish Schedule for color/finish/materials at this location.
- 42 Return cabinet, all profiles and materials to match front of reception/re-appointment desk.
- 43 Door jamb to serve as stop for gate.
- 44 Hinged gate, to match materials at front face elevation #3/D10. Provide pair of hinges and door latch on staff side (see sheet D6 for typical hardware).

ACCESSORY KEYNOTES

- J Doug Mockett #TL-27 R-3" table leg. Center on peninsula.

ACCESSORY NOTES:
Doug Mockett Co. (800.523.1269) www.mockett.com



NEW OFFICE FOR PRAIRIE MEADOWS DENTAL KEARNEY, NEBRASKA

Date: November 20, 2020
Copyrighted drawings. All unauthorized use & reproduction is strictly prohibited. Copyright © 2020 Michael Unthank, DDS NCARB, Lincoln, NE

19018

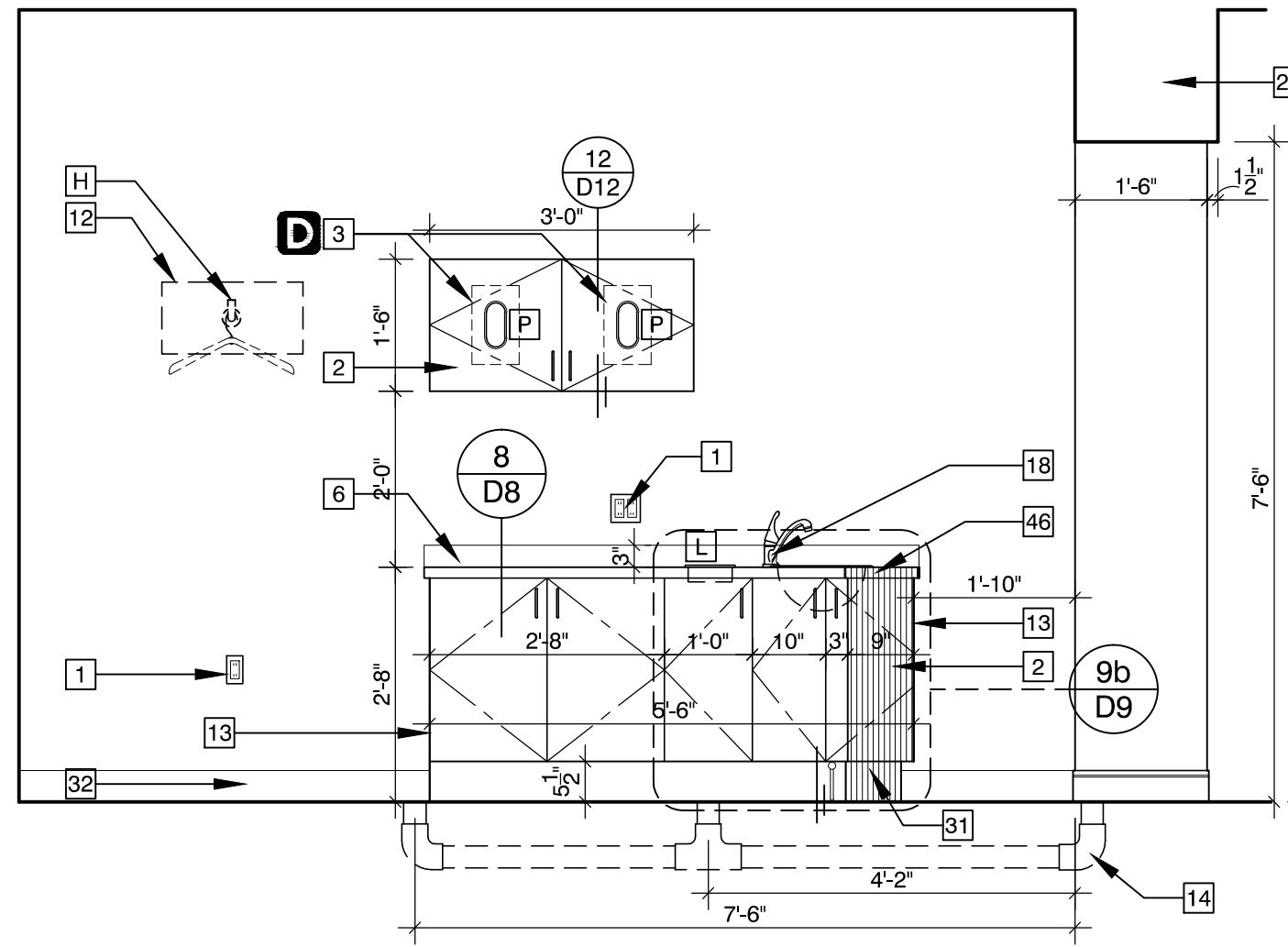
REVISIONS:

▲ 20 Nov. 2020

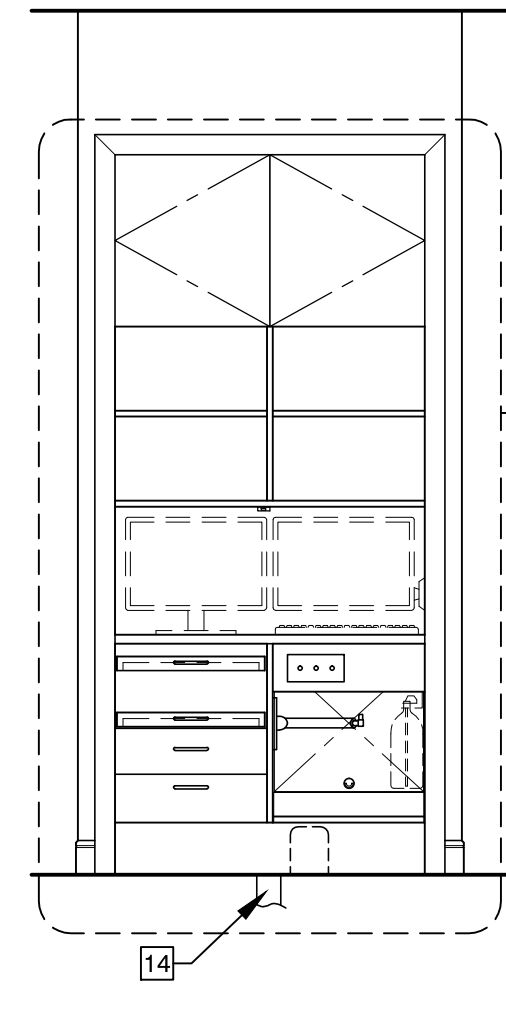
D10

Unthank Design Group hereby expressly reserves its common law copyright and other property rights in these plans. These plans and drawings are not to be reproduced, changed or copied in any form or manner whatsoever without first obtaining the express written permission of Unthank Design Group, nor are they to be assigned to any third party without first obtaining written permission and consent.

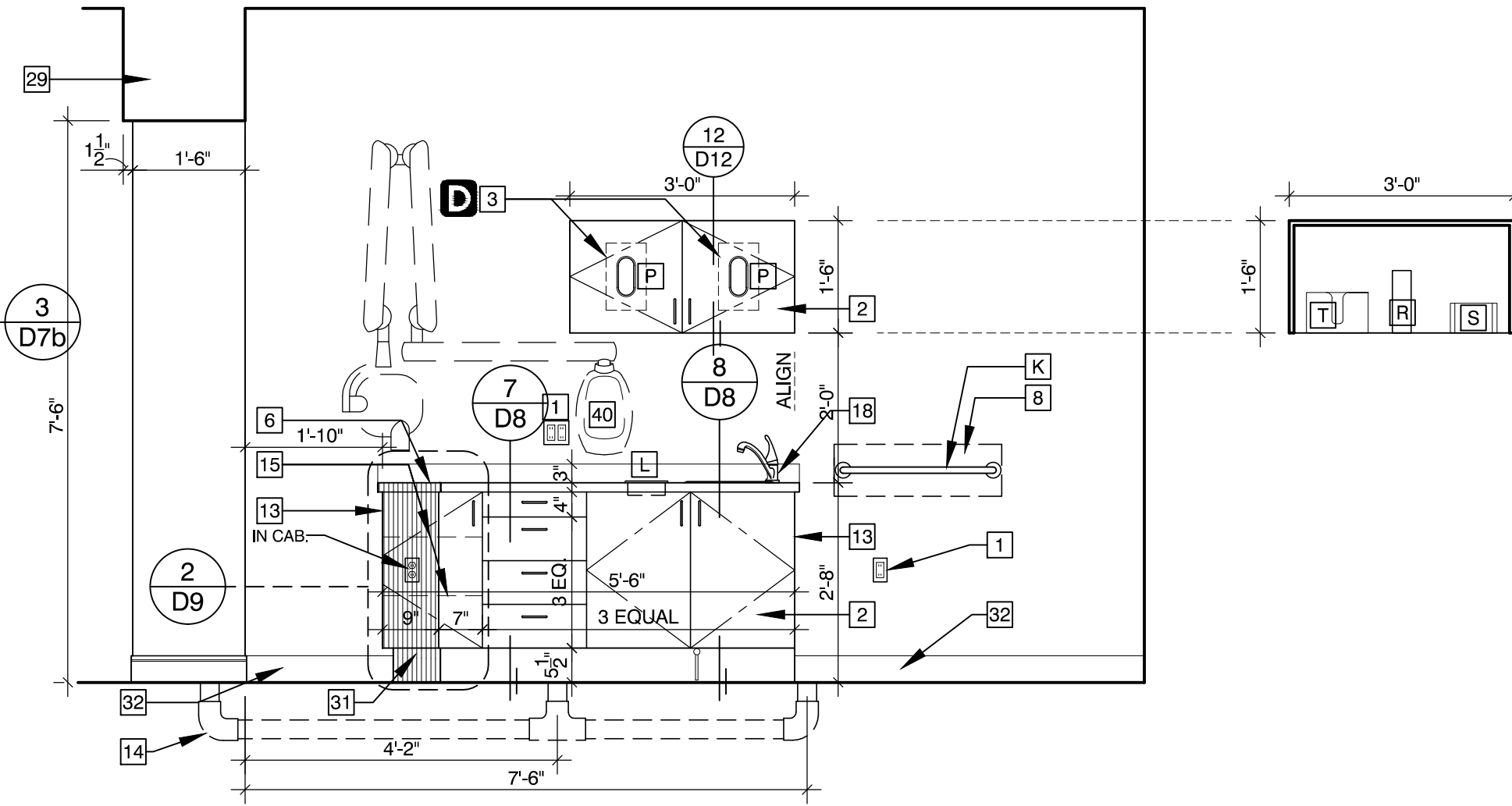
NOTE: DO NOT RUN PLUMBING OR ELEC. UTILITIES IN AREAS FOR RECESSED DISPENSERS



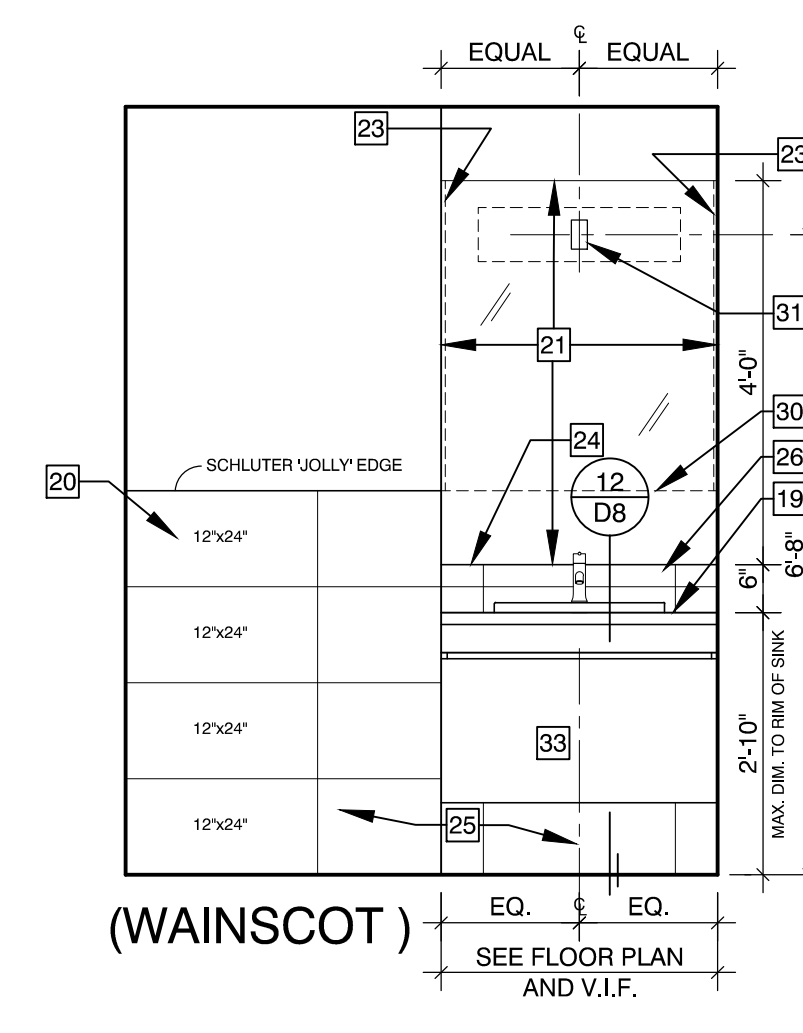
1. TREATMENT ROOM (DR'S SIDE)



2. TREATMENT ROOM



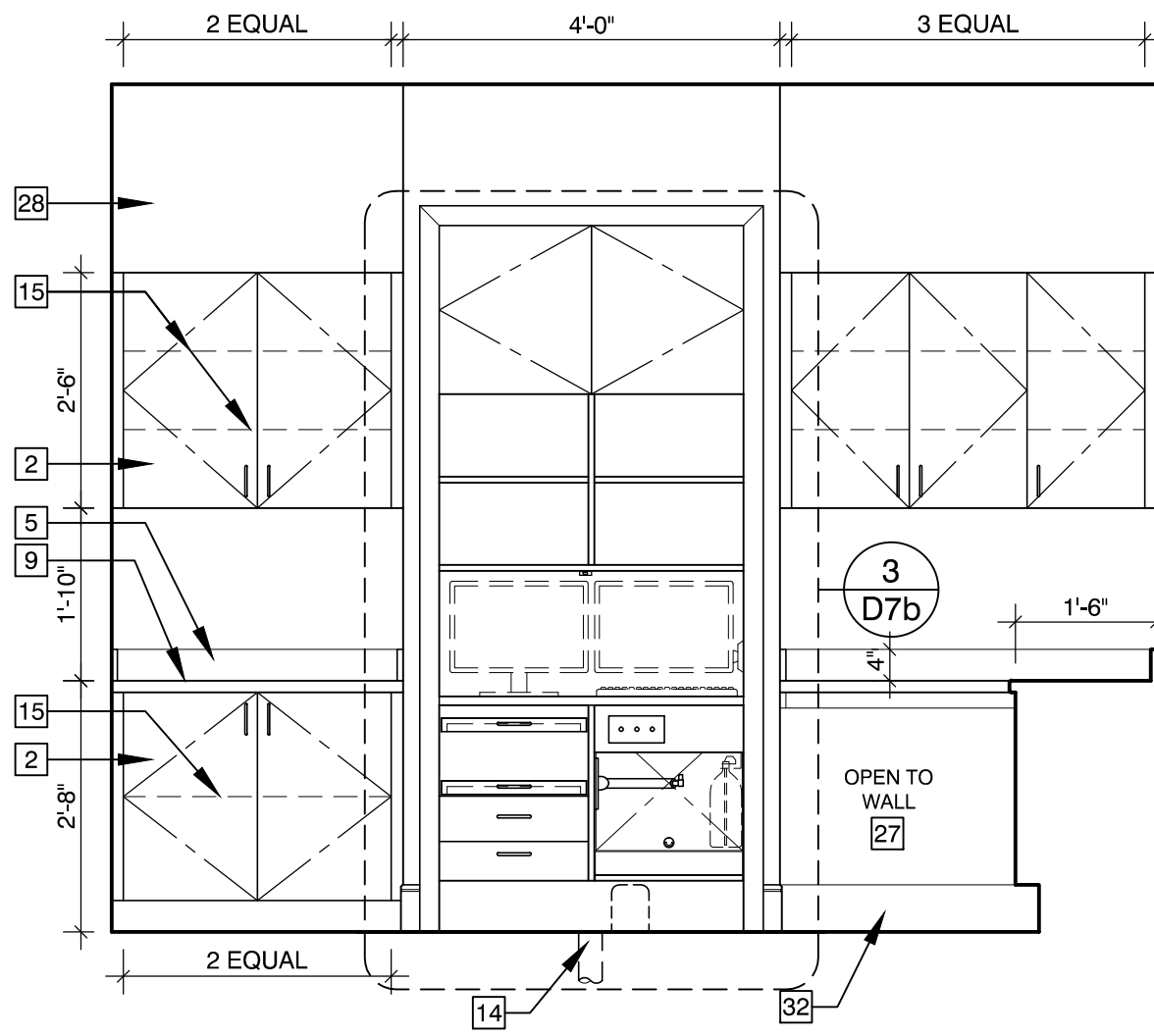
3. TREATMENT ROOM (ASST. SIDE)



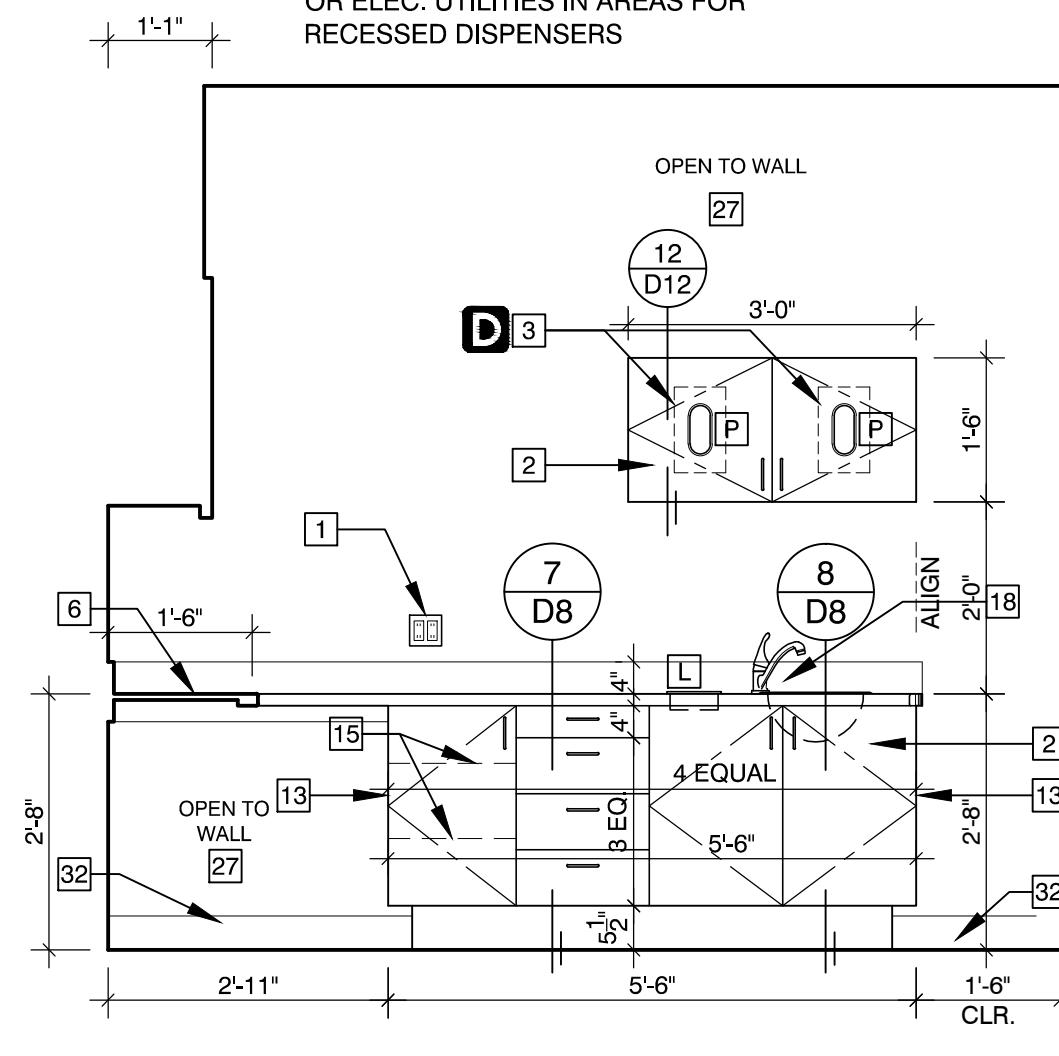
4. MEN'S/WOMEN'S

NOTES:
ALL DRAWINGS ON THIS SHEET ARE DRAWN AT 1/2" = 1'-0"
PROVIDE RECD BLOCKING FOR ALL WALL CABINET INSTALLATION (SEE ALSO GEN. NOTE #S 9 & 18; SHT. D1)

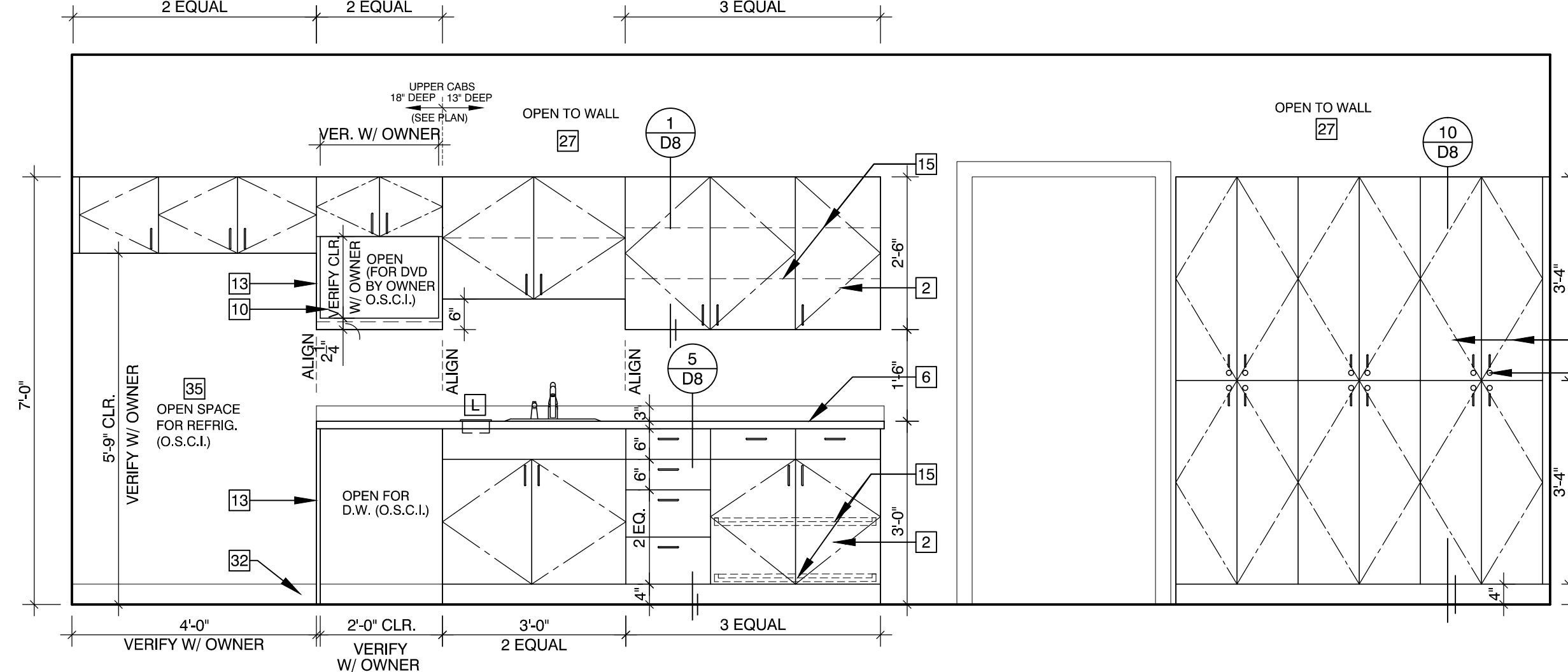
NOTE: DO NOT RUN PLUMBING OR ELEC. UTILITIES IN AREAS FOR RECESSED DISPENSERS



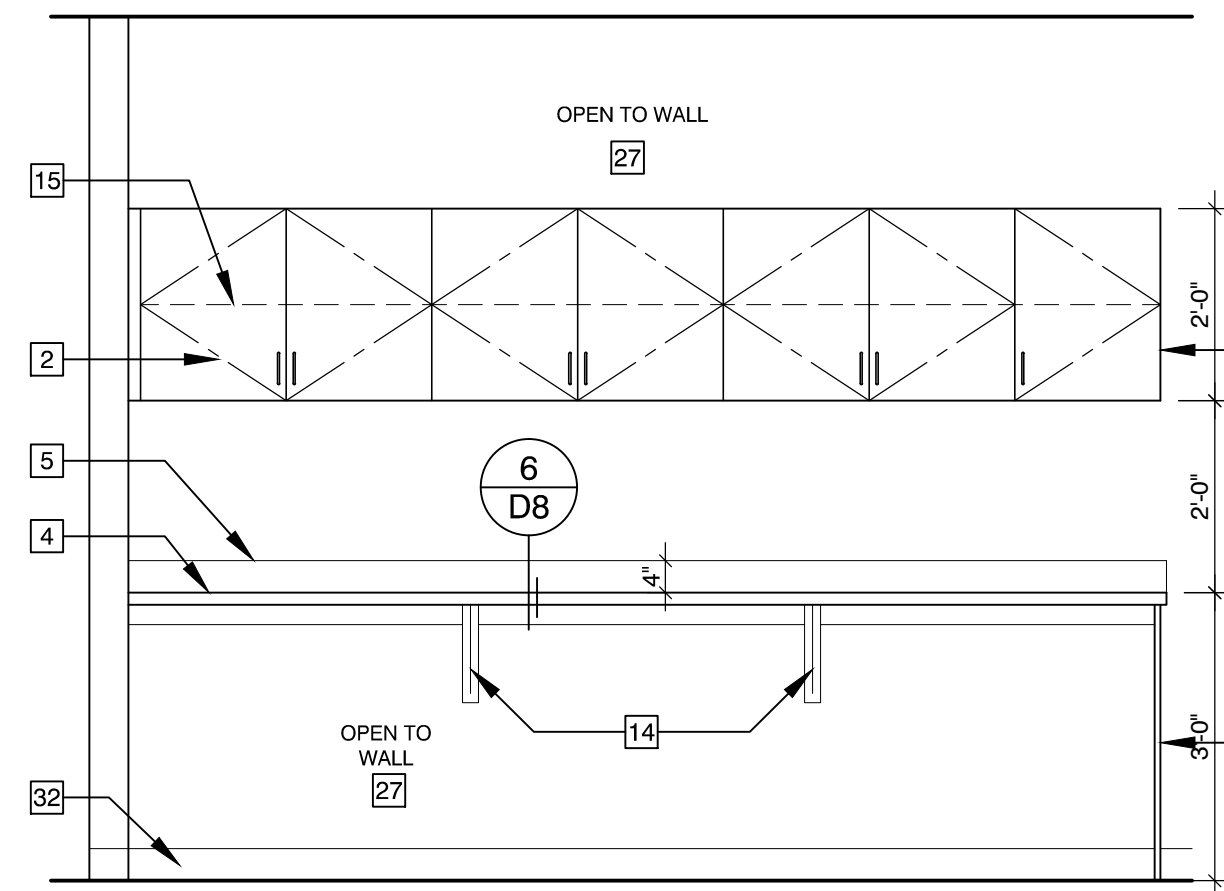
5. TREATMENT 122



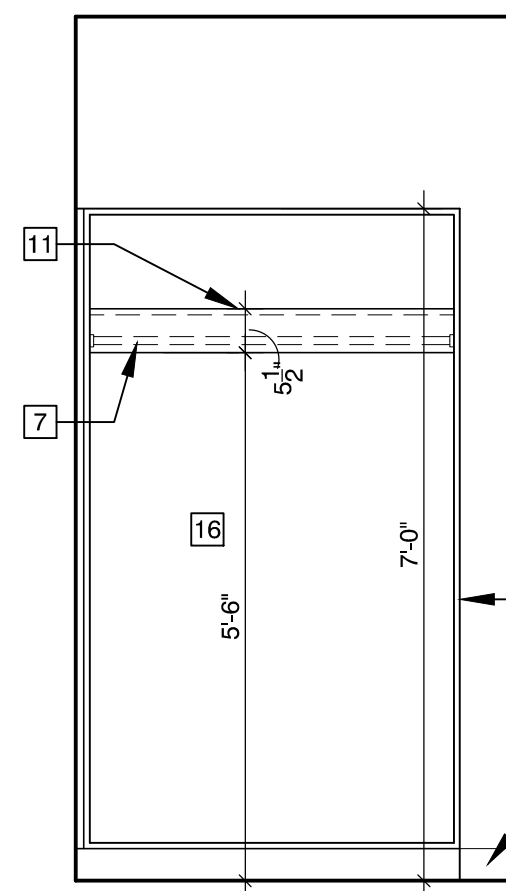
6. TREATMENT 122



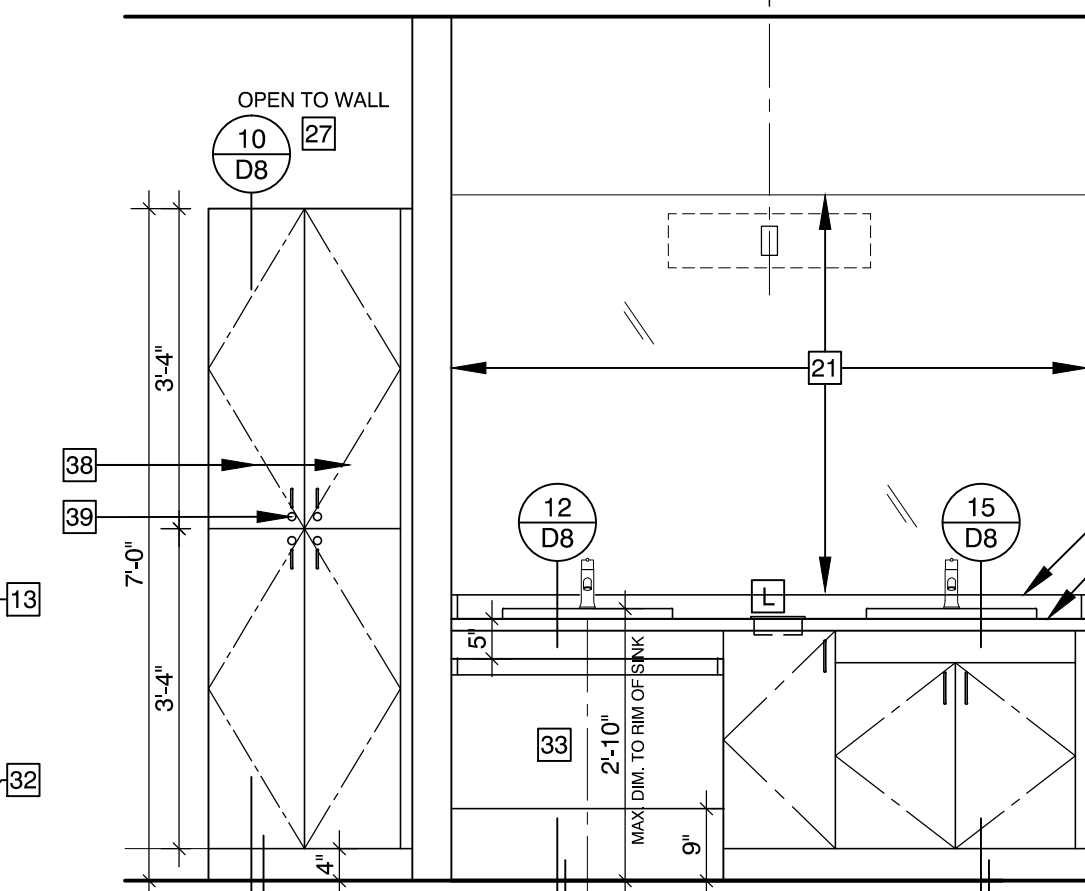
7. STAFF



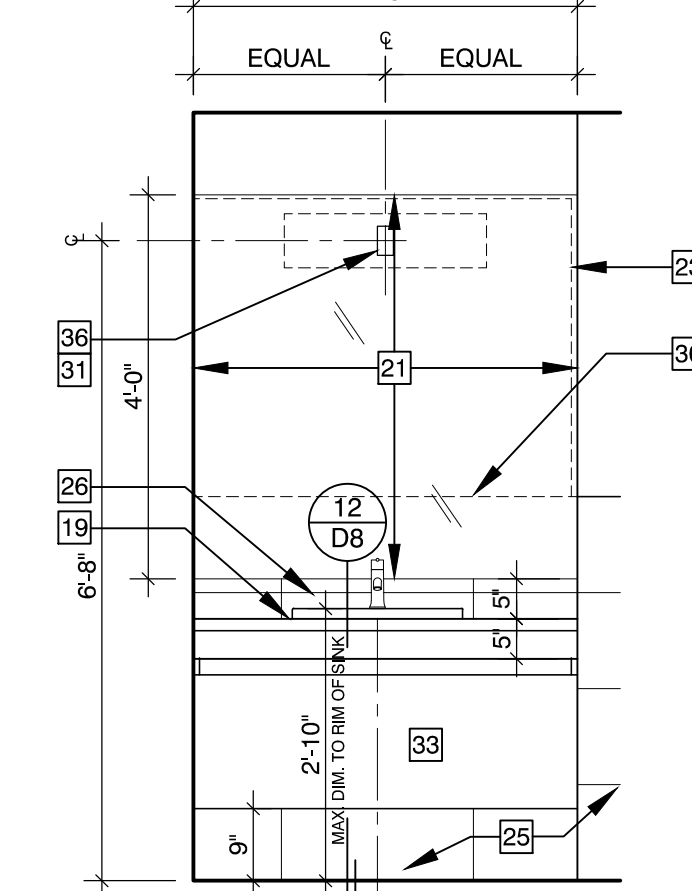
8. STAFF



9. STAFF



10. STAFF



11. TOILET

(R.R. WAINSCOT)
NOTE: ALIGN FLOOR TILE GROUT W/ WAINSCOT GROUT LINES.

12 D12 WALL CABINET
1 1/2" = 1'-0"

KEYNOTES

Referenced this sheet

- 1 Elec. outlet placement(s), verify w/ elec. drawings.
- 2 Plastic laminate faced cabinets. (w/ melamine interiors)
- 3 Bowman GB-144 glove box dispenser (by D.E.S.). Mount to inside face of cabinet door to allow access to gloves when cab. door is closed. Verify location with owner and coordinate with grommet location to ensure grommets line up with final dispenser location.
- 4 Plastic laminate countertop w/ plastic laminate self-edge.
- 5 Plastic laminate backsplash.
- 6 Post-formed plast. lam. countertop w/ 'Ora' edge & integral backsplash.
- 7 K & V #770 coat rod & #734 flanges.
- 8 Blocking in wall for towel bar (carries heavy lead apron).
- 9 Plastic laminate countertop w/ 'Ora' edge.
- 10 Open shelf cabinet w/ plastic laminate all faces.
- 11 3/4" fixed shelf (see plan for depth) w/ plastic laminate top & bottom, and 1/2" x 5-1/2" wood face.
- 12 Wall blocking for hook.
- 13 Finish end panel, to match, typical.
- 14 Under-floor 3" PVC chase. Dimensions from F.O. 'Utilitech' wall to center points of vert. PVC.
- 15 Adjustable shelf/shelves.
- 16 Plastic laminate; this surface.
- 17 K & V #770 coat rod & #734 flanges.
- 18 Note; see 9/D9 for sink, faucet, & trash drop placement.
- 19 Plastic laminate countertop w/ 'Ora' edge profile and apron.
- 20 All switch plates/outlets to be located in wainscot @ 42" A.F.F.
- 21 Fully adhered mirror w/ radius machined edges.
- 22 Window by building shell architect.
- 23 Provide hardboard standoff behind mirror, flush w/ face of tile. Hold back 1/2" from all mirror edges. (Typ.)
- 24 Apply bead of clear silicone between mirror & backsplash.
- 25 Tile wainscot.
- 26 Tile splash.
- 27 Gyp. board.
- 28 Gyp. board valance (see cab. details for location of face.)
- 29 Gyp. board bulkhead.
- 30 Tile wainscot is continuous behind mirror. (Typ.)
- 31 J-box & power to be let into mirror for valance light.
- 32 Wall base.
- 33 Removable plastic laminate panel.
- 34 Removable wood panel.
- 35 See note #23 on sheet D1. Coordinate cabinetry with refrigerator door operation.
- 36 Light fixture as specified on sheet D4.
- 37 See 'Laminate Details', sheet D9.
- 38 Plastic laminate faced locker cabinet (see plan for locker depth).
- 39 Cabinet lock (Typ.) Provide separate keyed cylinders at each locker.
- 40 Provide power and blocking for future X-ray unit by dent. equip. supp. where indicated on sheet D2.1. Verify all req'ts.

ACCESSORY KEYNOTES

- H Doug Mockett #CH12A (Satin Chrome) coat hook at 5'-6" A.F.F. Provide blocking in wall behind gyp. bd. for coat hooks.
- K Bradley #852-001-24 24" grab bar at 2'-10" A.F.F.
- L Doug Mockett #TM1B-SSS trash drop. (See details #5/D9, #6/D9 & #9/D9 for some specific placements.)
- P Doug Mockett #LO1 series large oval grommet liner. Match grommet color to cabinet.
- R Plasdent #208CPD cup dispenser.
- S Bowman #FB-021 mask dispenser.
- T TrippNT #51912 paper towel dispenser.

ACCESSORY NOTES:

Bradley Corp. (800.BRADLEY) www.bradleycorp.com
Doug Mockett Co. (800.523.1269) www.mockett.com

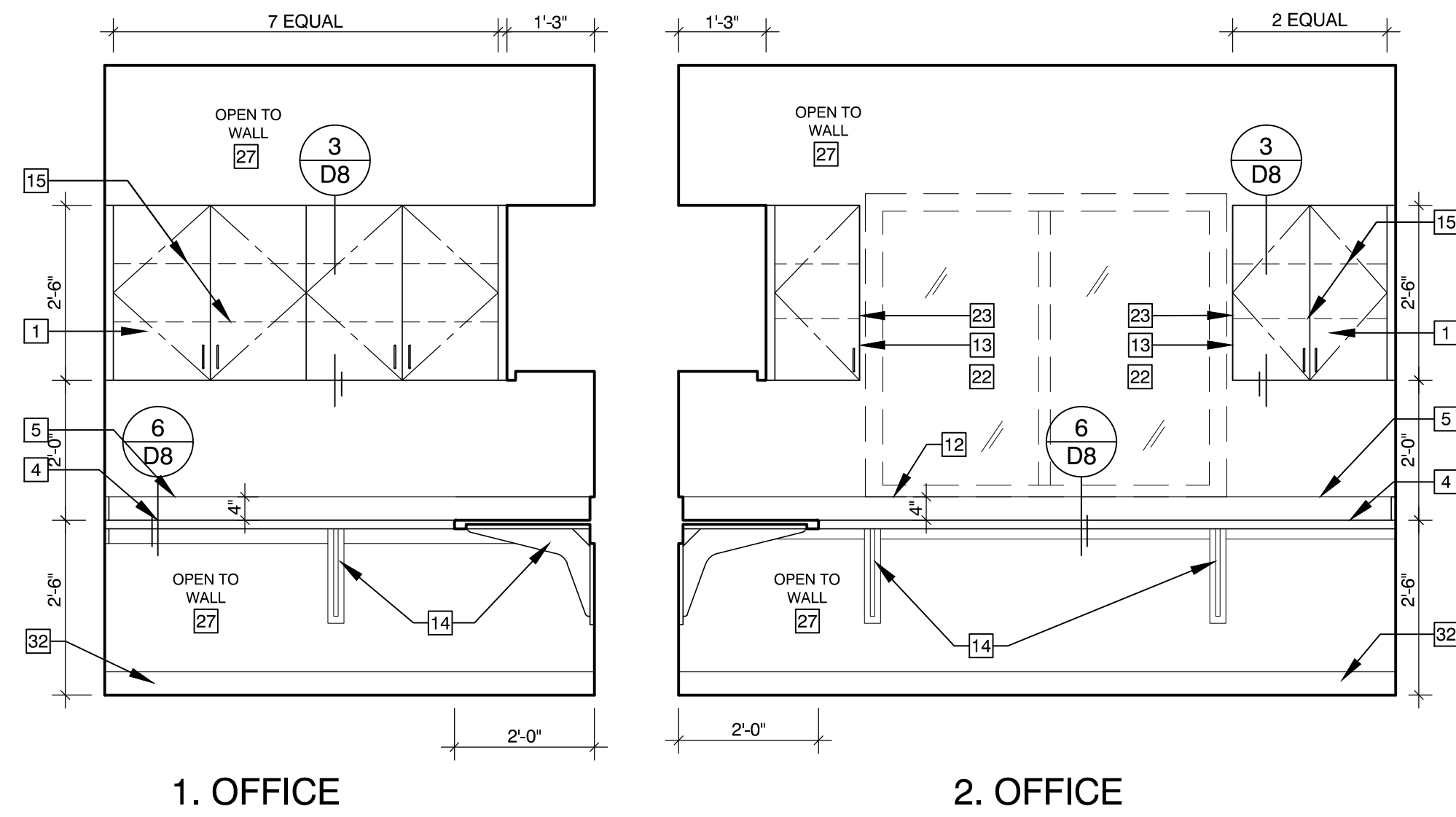
UNTHANK DESIGN GROUP
5930 VanDevoort Drive
Lincoln, Nebraska 68516
ph: 402.423.3300 fax: 402.423.3377
© Copyright 2020
Michael Unthank DDS NCARB

NEW OFFICE FOR PRAIRIE MEADOWS DENTAL
 KEARNEY, NEBRASKA
 Date: November 20, 2020
 Copyrighted drawings. All unauthorized use & reproduction is strictly prohibited. Copyright © 2020 Michael Unthank, DDS NCARB, Lincoln, NE

REVISIONS:
 20 Nov. 2020

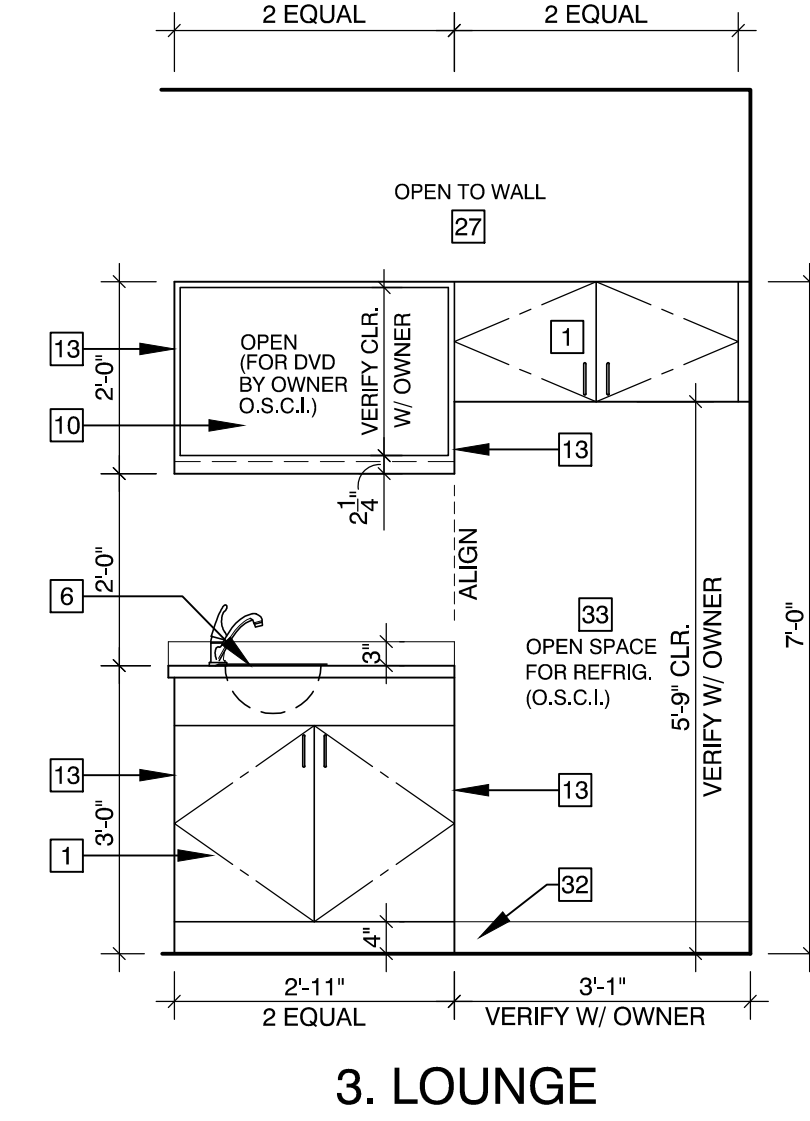
D12

Unthank Design Group hereby expressly reserves its common law copyright and other property rights in these plans. These plans and drawings are not to be reproduced, changed or copied in any form or manner whatsoever without first obtaining the express written permission of Unthank Design Group, nor are they to be assigned to any third party without first obtaining written permission and consent.

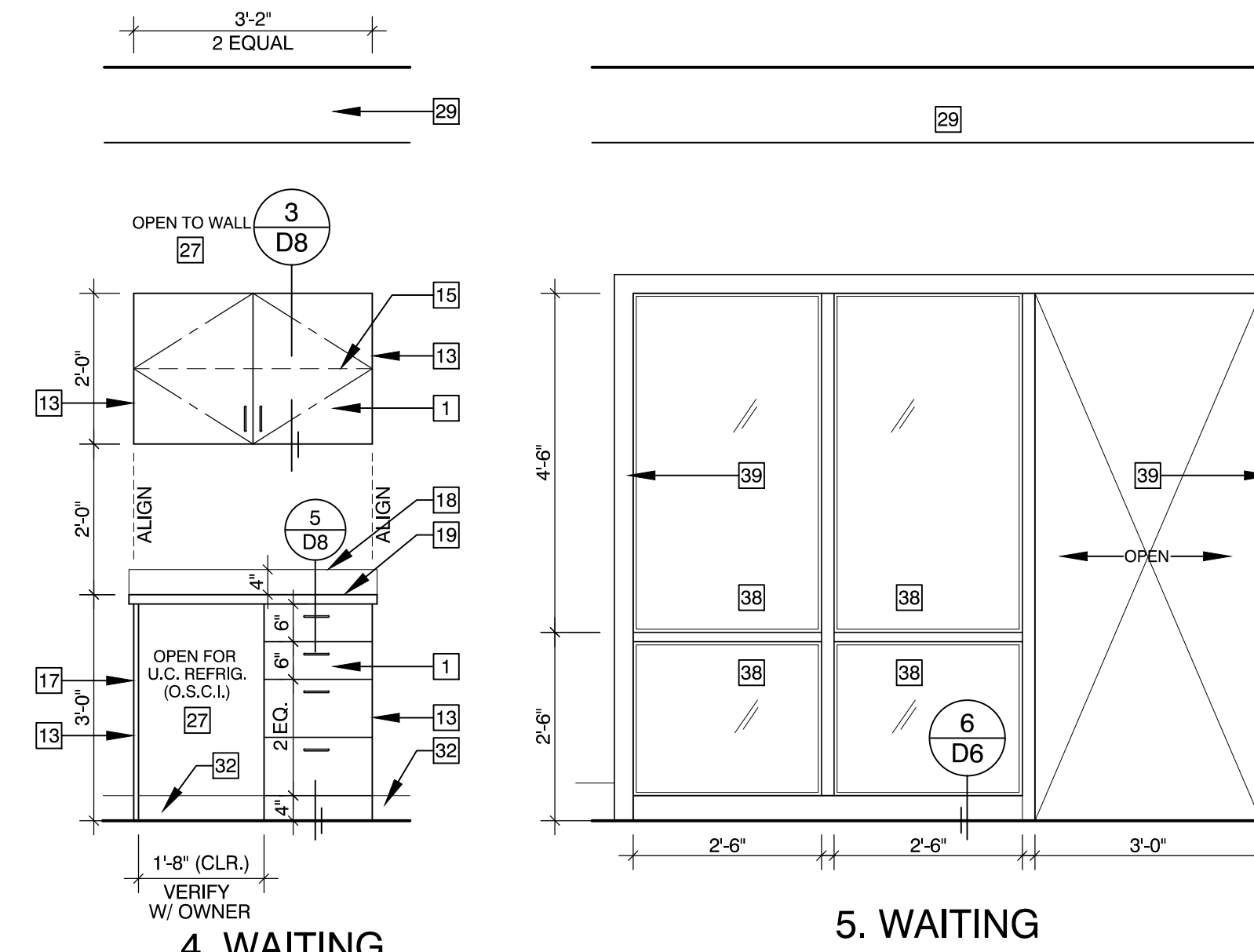


1. OFFICE

2. OFFICE



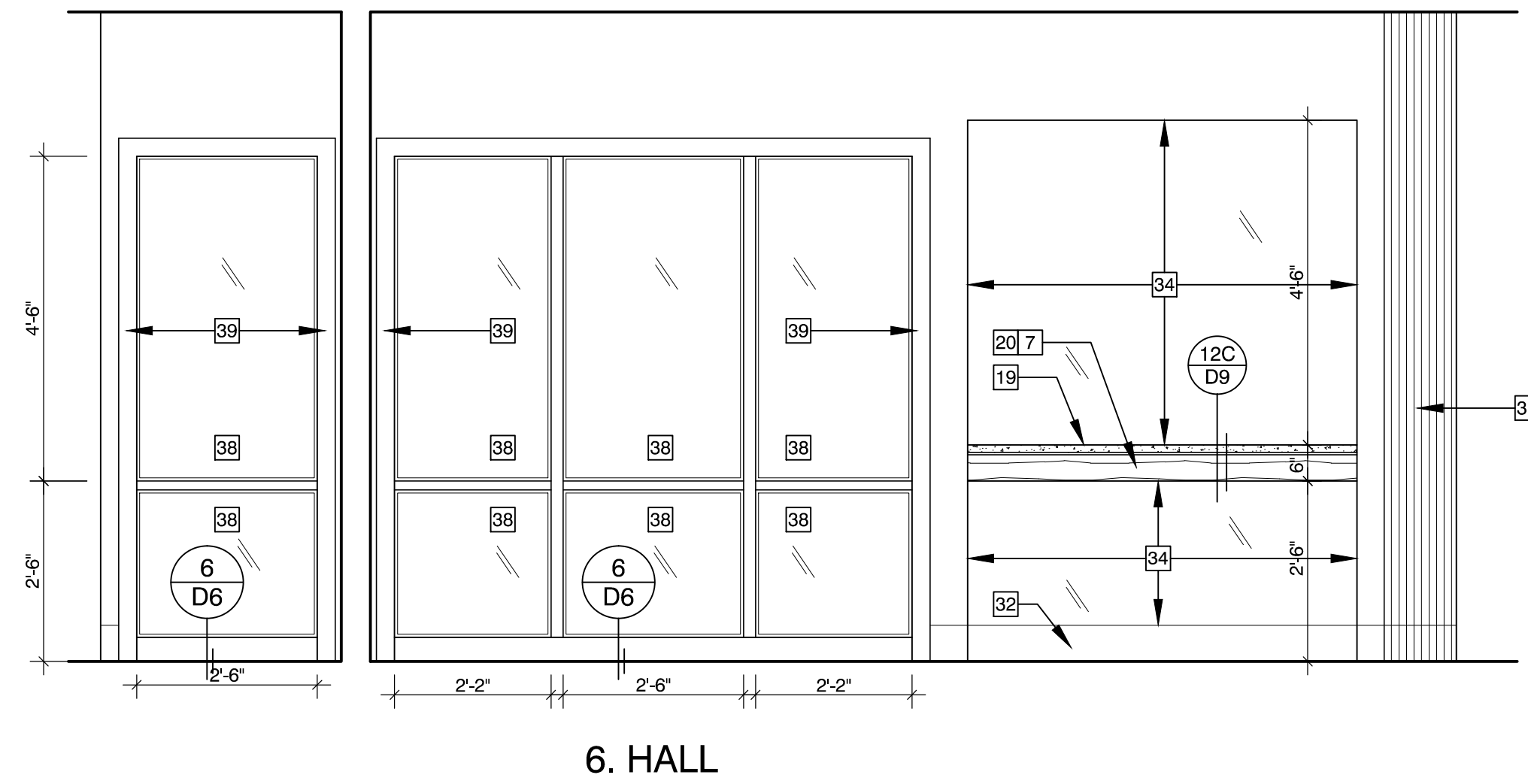
3. LOUNGE



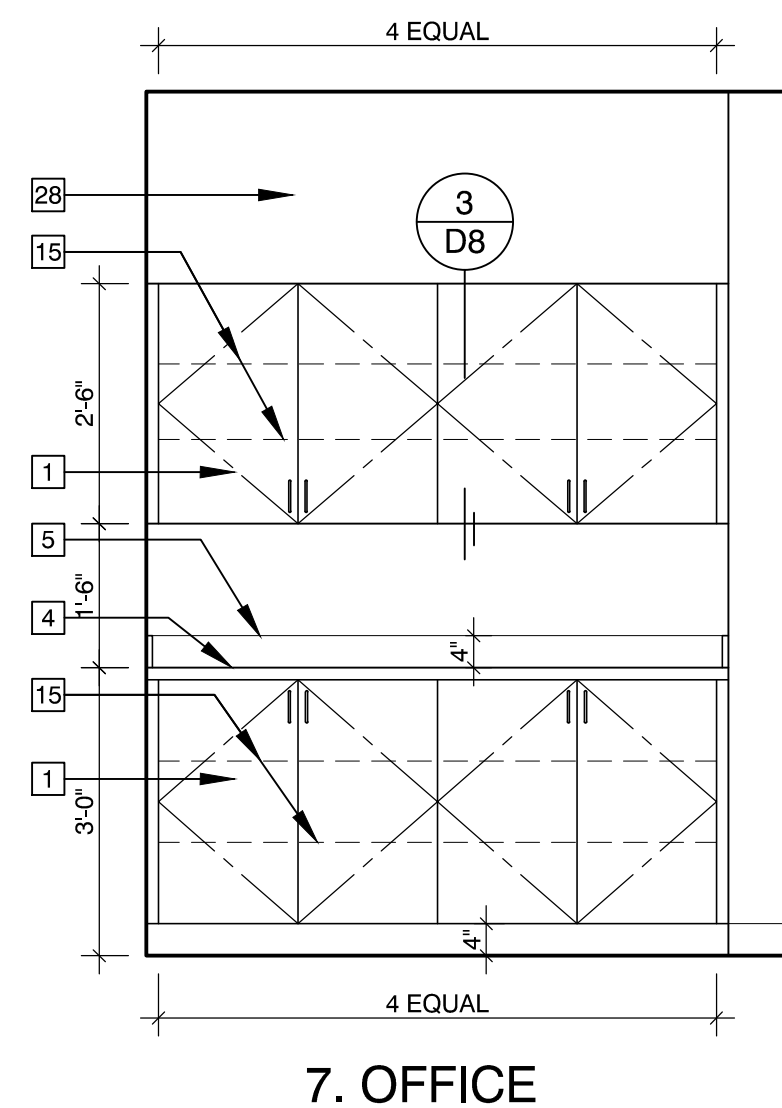
4. WAITING

5. WAITING

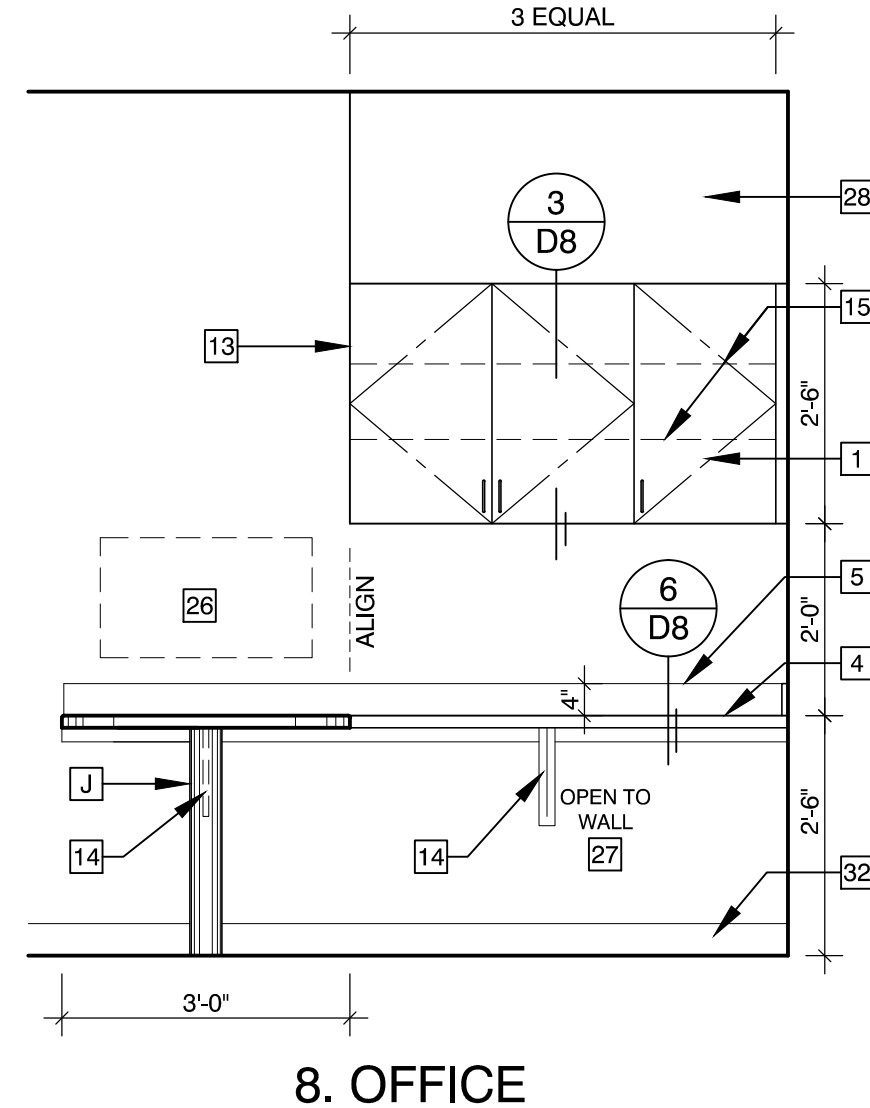
NOTES:
ALL DRAWINGS ON THIS SHEET ARE DRAWN AT 1/2" = 1'-0".
PROVIDE REOD BLOCKING FOR ALL WALL CABINET INSTALLATION (SEE ALSO GEN. NOTE #S 9 & 10; SHT. D1)



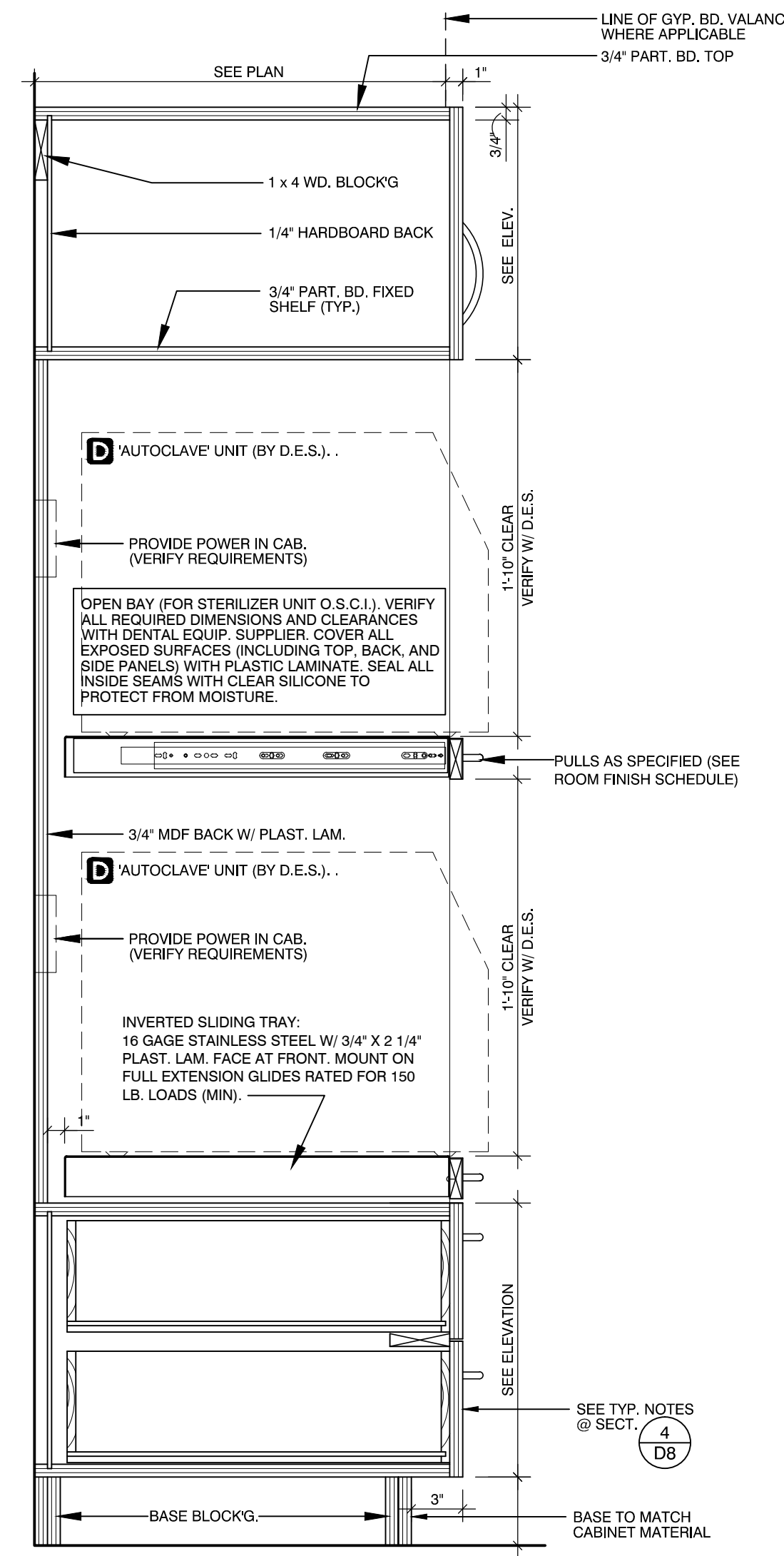
6. HALL



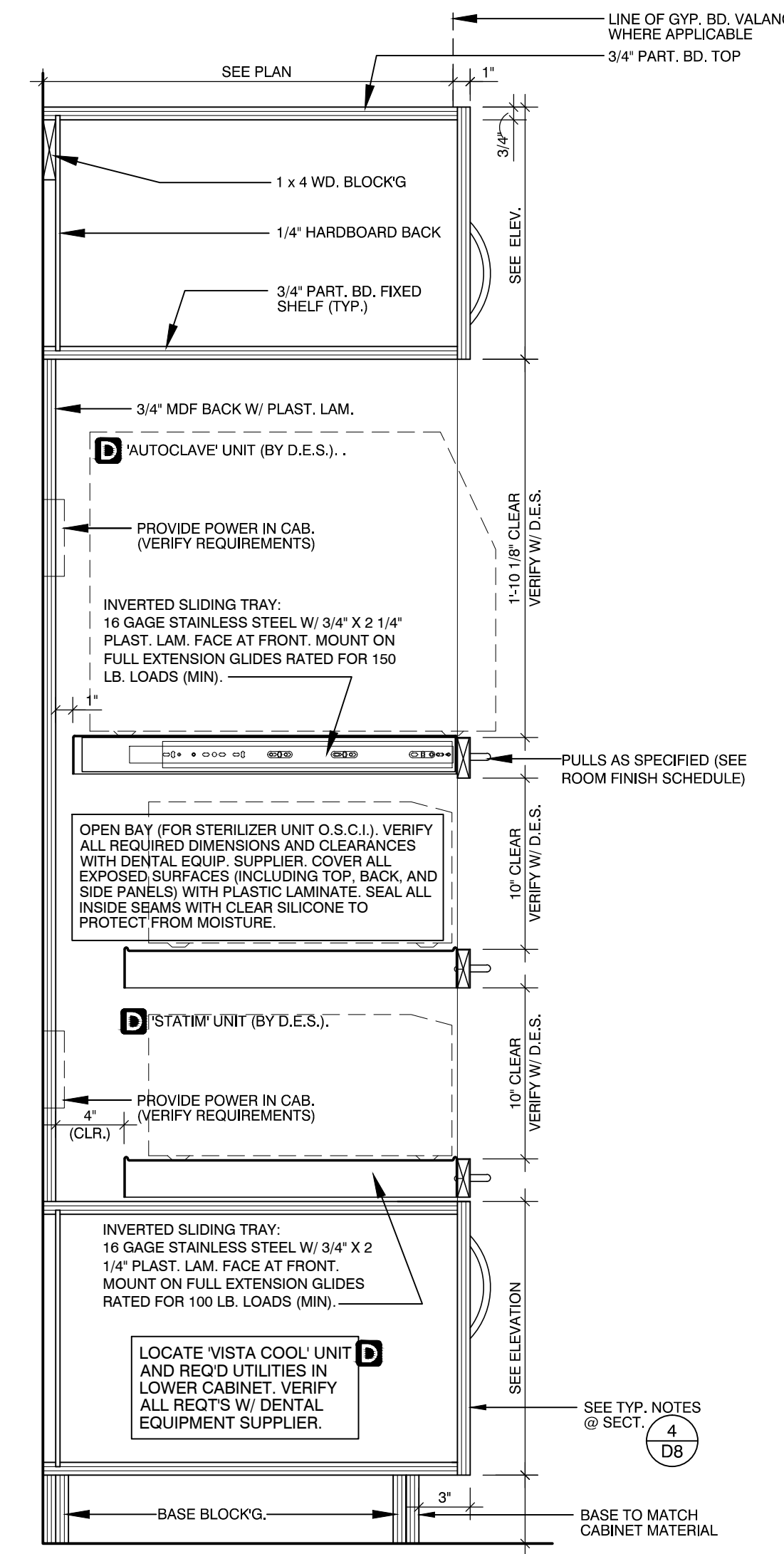
7. OFFICE



8. OFFICE



9. AUTOCLAVE STACK
1 1/2" = 1'-0"



10. AUTOCLAVE STACK
1 1/2" = 1'-0"

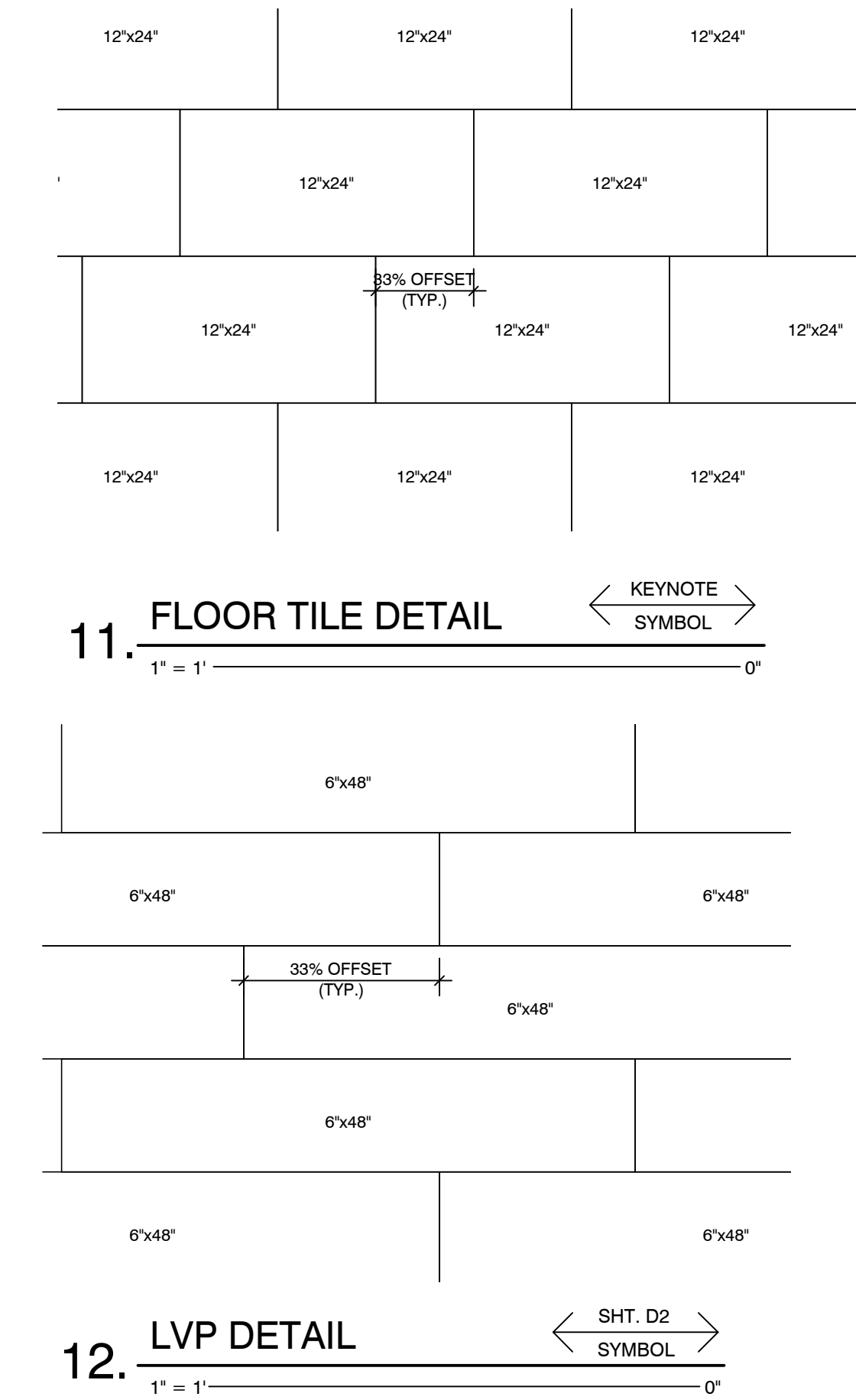
KEYNOTES Referenced this sheet

- 1 Slab style wood cabinets. (w/ matching wood interiors.)
- 2 not used.
- 3 not used.
- 4 Plastic laminate countertop w/ self edge.
- 5 Plastic laminate backsplash.
- 6 Post-formed plast. lam. countertop w/ 'Ora' edge profile & integral backsplash.
- 7 Provide rigid structural frame. See details #12A & 12B on sheet D9.
- 8 not used.
- 9 not used.
- 10 Open shelf cabinet w/ wood veneer all faces.
- 11 not used.
- 12 Provide matching plast. lam. on back of all cabinets & backsplash crossing exterior windows, typical.
- 13 Finish end panel, to match, typical.
- 14 Metal counter supports. See finish schedule for color. (4'-0" ctr. spans max.)
- 15 Adjustable shelf/shelves.
- 16 not used.
- 17 End-support panel to floor.
- 18 Engineered quartz backsplash.
- 19 Engineered quartz countertop w/ eased square edge.
- 20 Wood apron.
- 21 not used.
- 22 Window by building shell architect.
- 23 Hold cabinets clear of window trim (Typ.)
- 24 not used.
- 25 not used.
- 26 Wall mtd. monitor. Provide power, data, & blocking.
- 27 Gyp. board.
- 28 Gyp. board valance (see cab. details for location of face.)
- 29 Gyp. board bulkhead.
- 30 not used.
- 31 Shading indicates angle view.
- 32 Wall base.
- 33 See note #23 on sheet D1. Coordinate cabinetry with refrigerator door operation.
- 34 Fully adhered mirror w/ radius machined edges.
- 35 not used.
- 36 not used.
- 37 not used.
- 38 3/4" tempered clear safety glass, divide as shown.
- 39 See sheet D6 for trim/casing.

ACCESSORY KEYNOTES

- J Doug Mockett #TL-27 R-3" table leg. Center on peninsula.

ACCESSORY NOTES:
Doug Mockett Co. (800.523.1269) www.mockett.com



11. FLOOR TILE DETAIL
1" = 1"

12. LVP DETAIL
1" = 1"



NEW OFFICE FOR PRAIRIE MEADOWS DENTAL KEARNEY, NEBRASKA
 19018
 Date: November 20, 2020
 Copyrighted drawings. All unauthorized use & reproduction is strictly prohibited. Copyright © 2020 Michael Unthank, DDS NCARB, Lincoln, NE

REVISIONS:
 20 Nov. 2020

D13