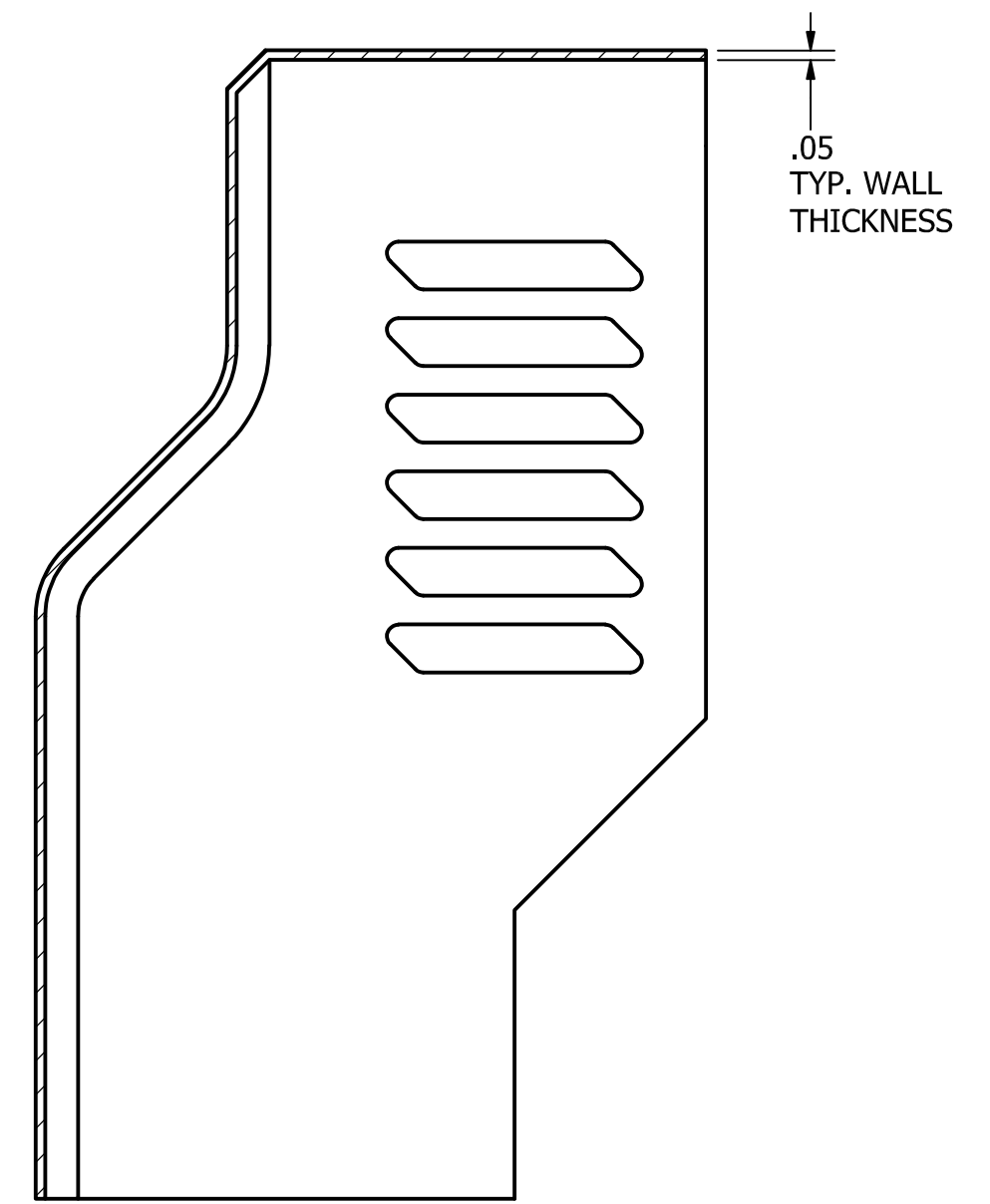
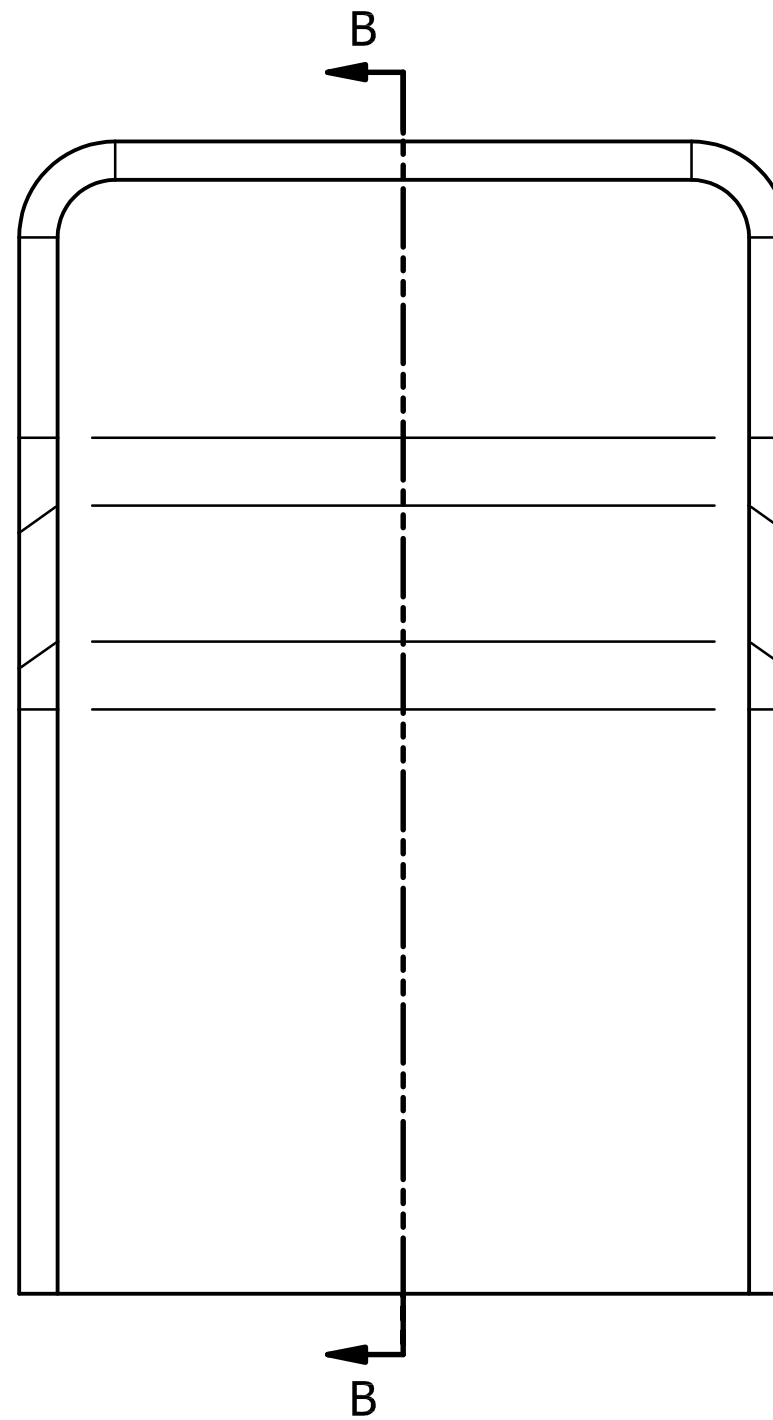
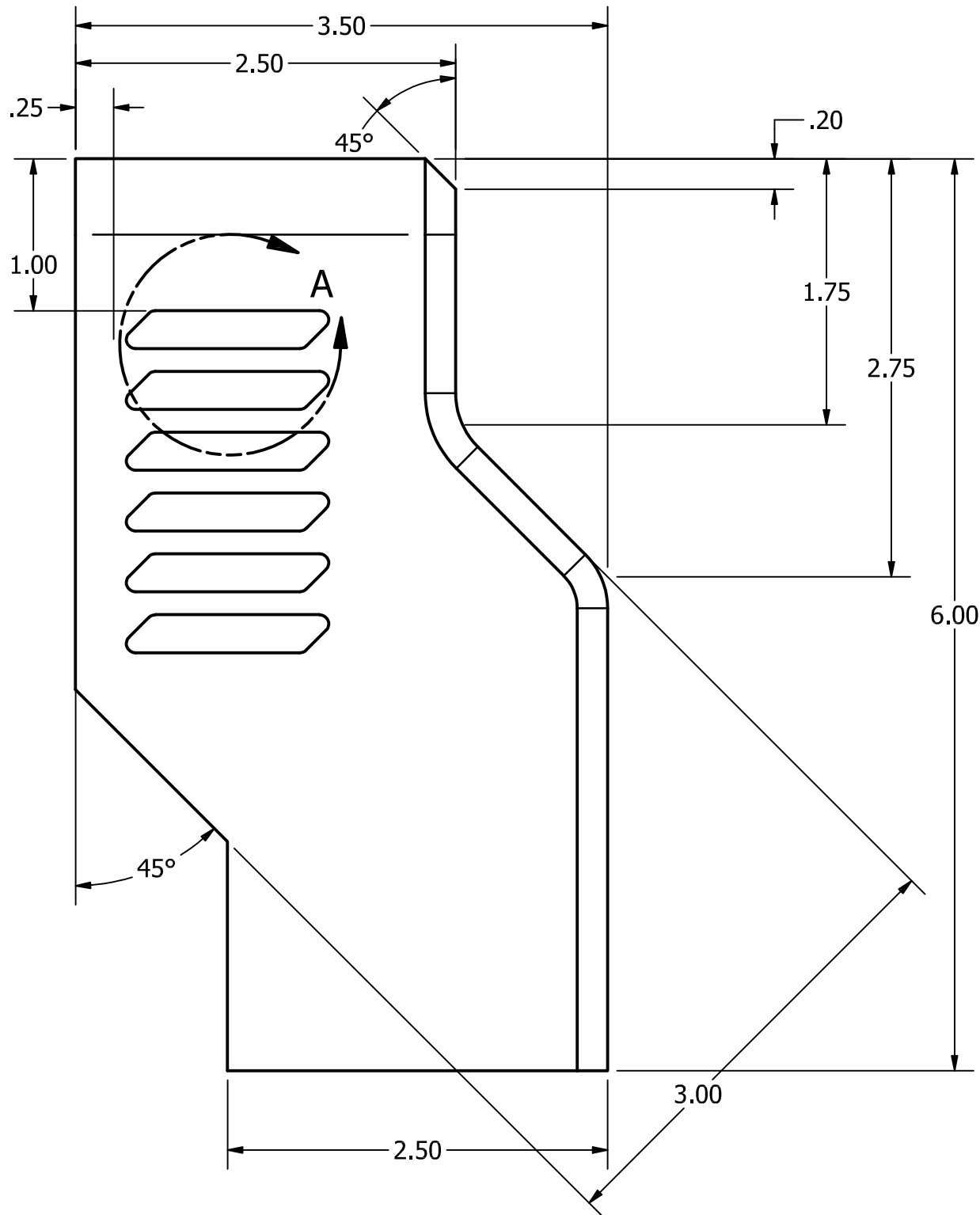
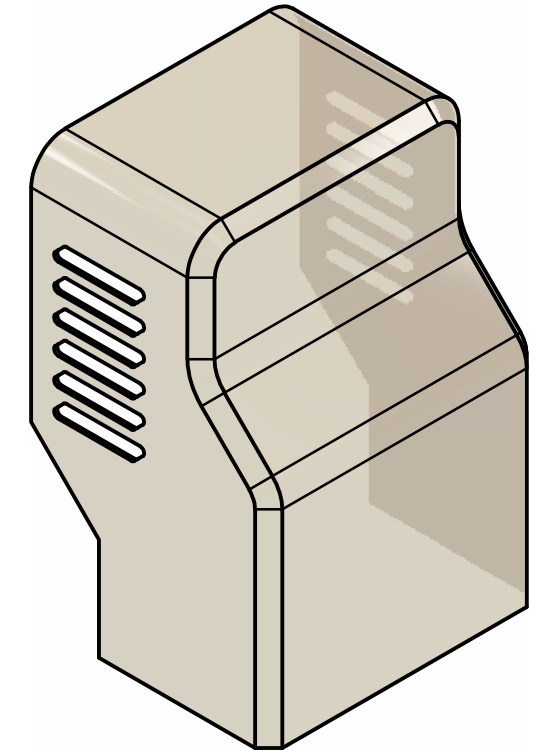


DETAIL A
SCALE 2 : 1



SECTION B-B

APPROVED FOR RELEASE

DRAWN nanderson	7/9/2025	N. ANDERSON		
CHECKED		AUTODESK INVENTOR PRACTICE		
QA		TITLE		
MFG		LAB 6 3D PRINTER HEAD COVER		
APPROVED				
		SIZE C	DWG NO Lab 6	REV
		SCALE 1 / 2	SHEET 1 OF 1	