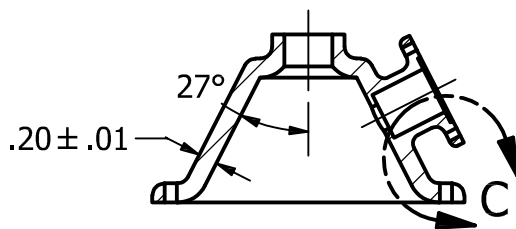
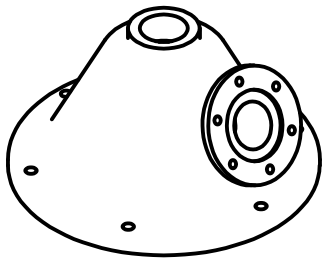


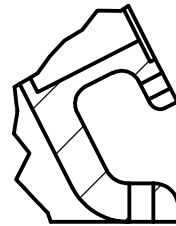
2

1

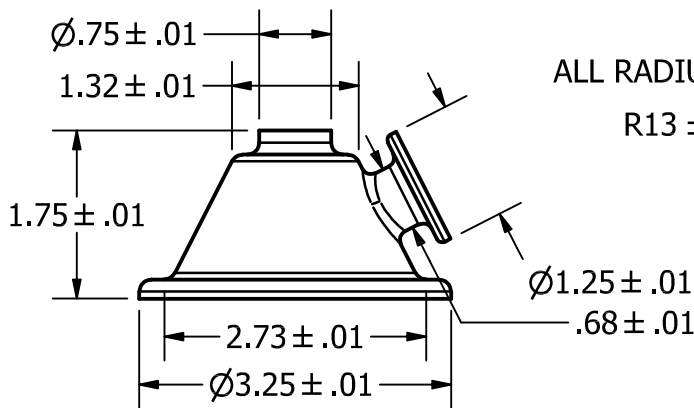
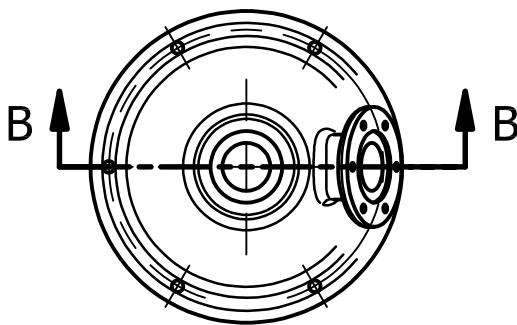
PARTS LIST		
ITEM	QTY	PART NUMBER
1	1	E6



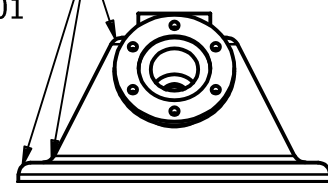
SECTION B-B  
SCALE 1 / 2



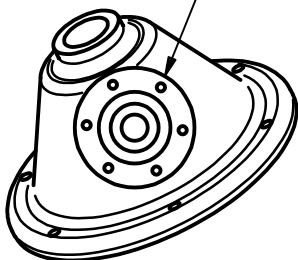
DETAIL C  
SCALE 1 : 1



ALL RADIUSSES  
R13 ± .01



UNPAINTED  
SURFACE



APPROVED FOR RELEASE

DRAWN nanderson	7/2/2025	N. ANDERSON
CHECKED		AUTODESK INVENTOR PRACTICE
QA		TITLE
MFG		<b>EXERCISE 6</b>
APPROVED		<b>CHOKED DIVERTER FLANGE</b>

SIZE <b>A</b>	DWG NO <b>Exercise 6</b>	REV
SCALE 1 / 2	SHEET 1 OF 1	

2

1